

Milwaukee®

Nothing but **HEAVY DUTY**®



WCS 45

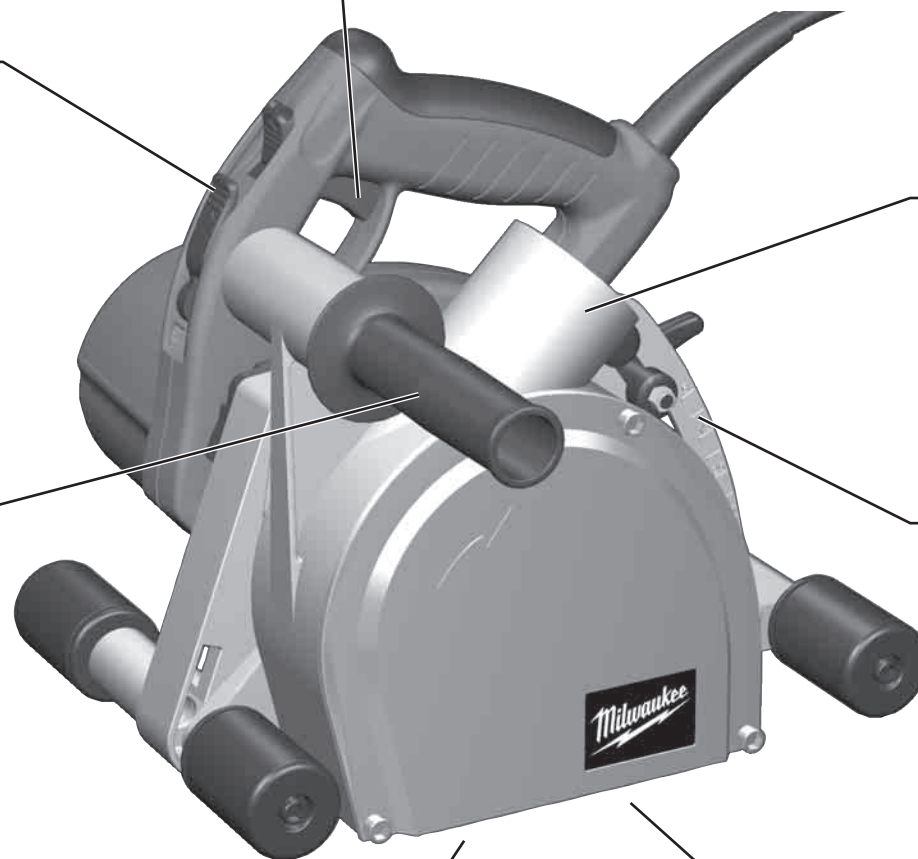
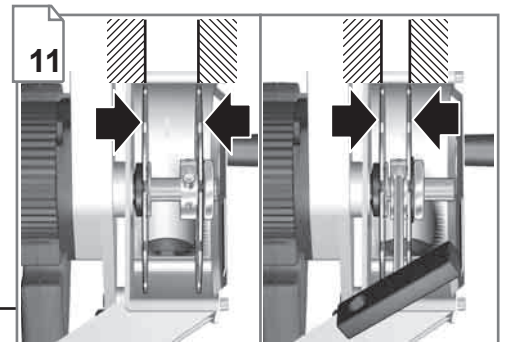
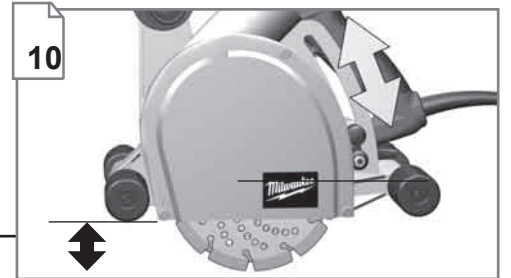
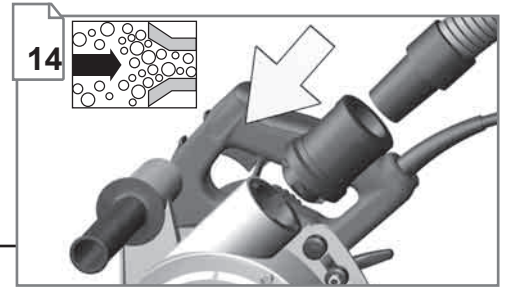
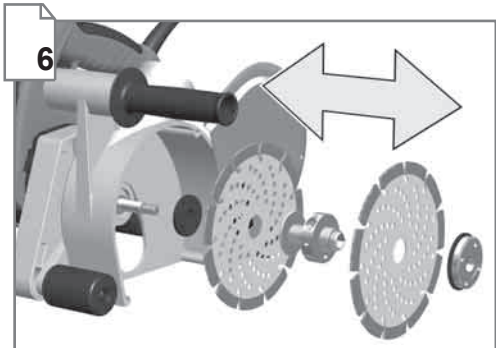
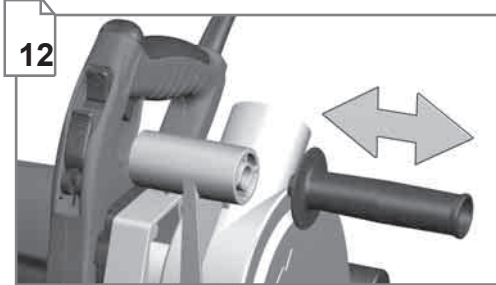
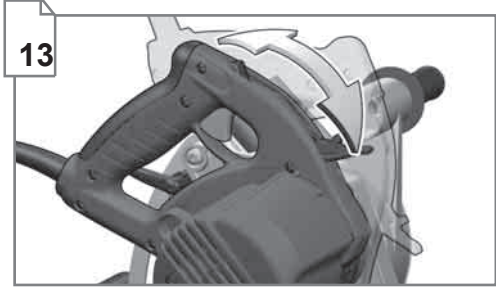
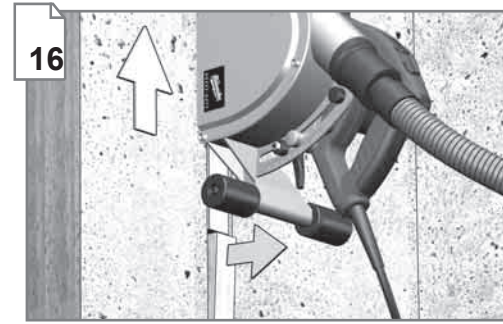
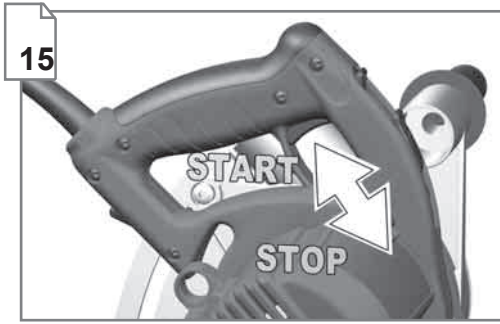
Original instructions
Originalbetriebsanleitung
Notice originale
Istruzioni originali
Manual original
Oorspronkelijke gebruiksaanwijzing
Original brugsanvisning
Original bruksanvisning
Bruksanvisning i original
Alkuperäiset ohjeet

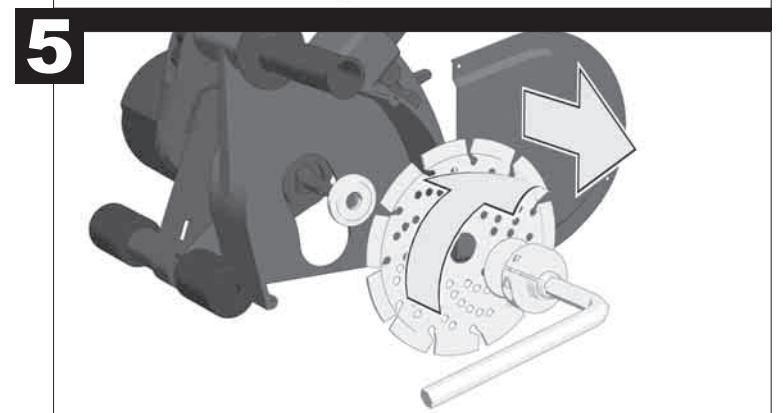
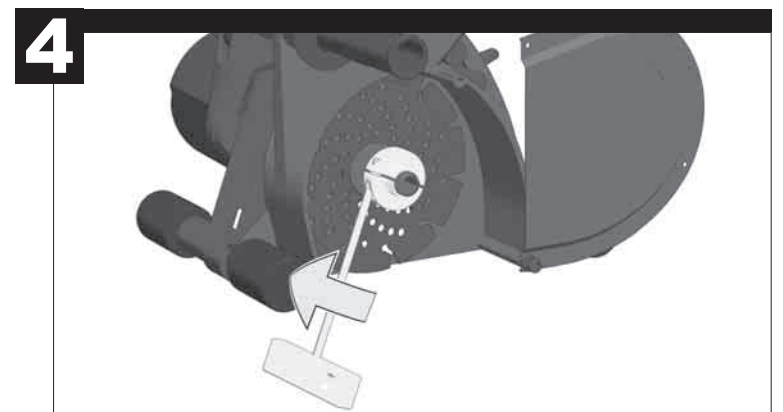
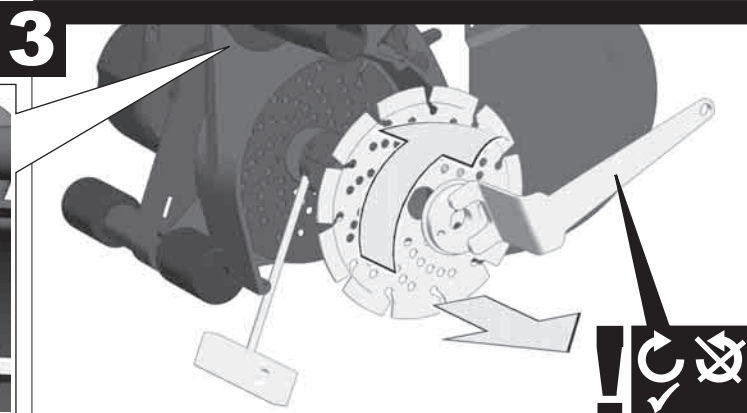
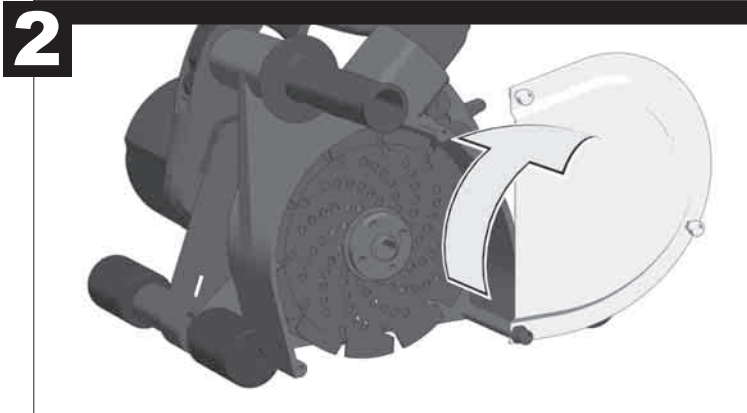
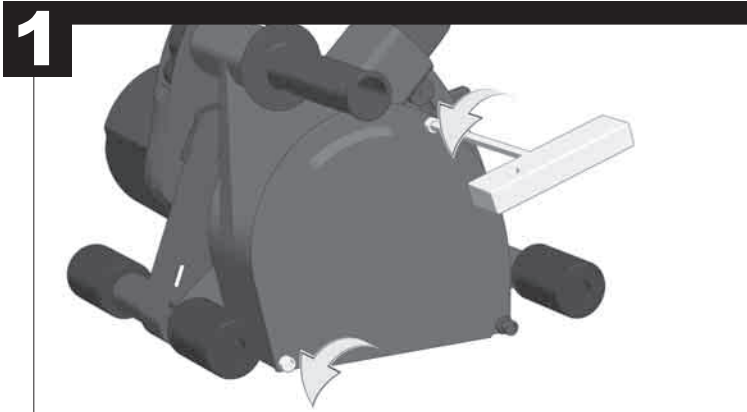
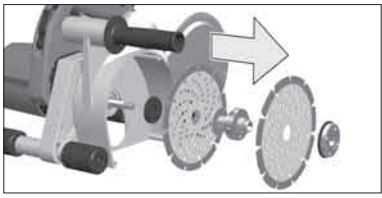
Πρωτότυπο οδηγιών χρήσης
Original isletme talimatı
Původním návodem k
používání
Pôvodný návod na použitie
Instrukcją oryginalną
Eredeti használati utasítás
Izvirna navodila
Originalne pogonske upute
Instrukcijām oriģinālvadā
Originali instrukcija

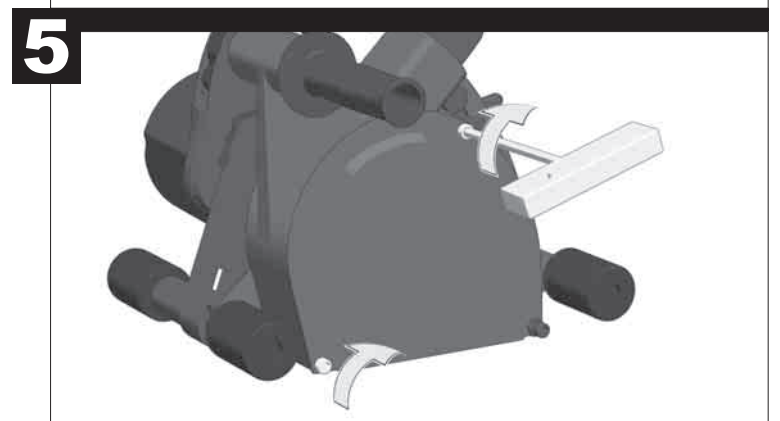
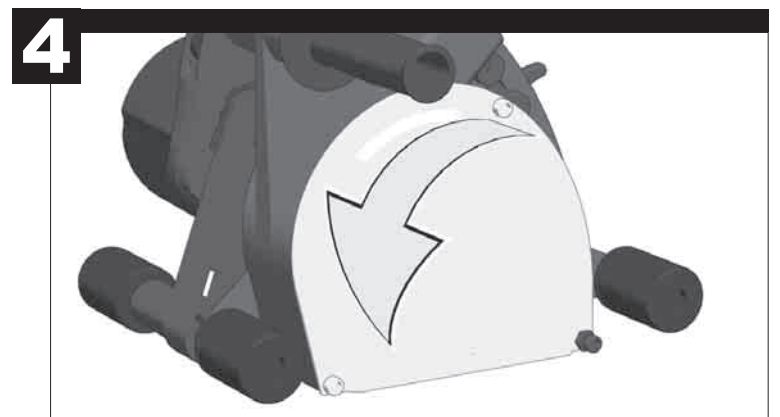
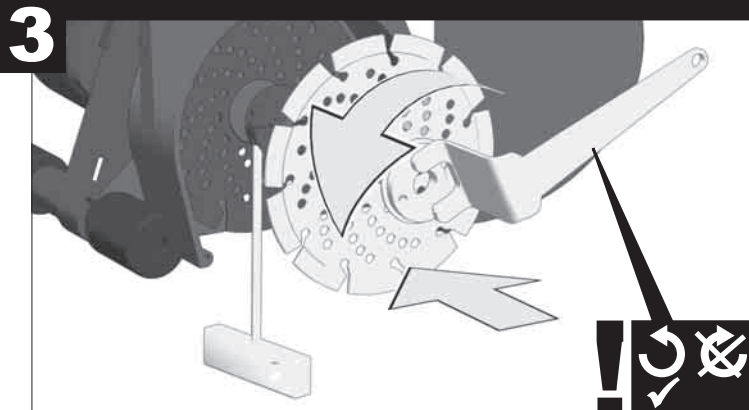
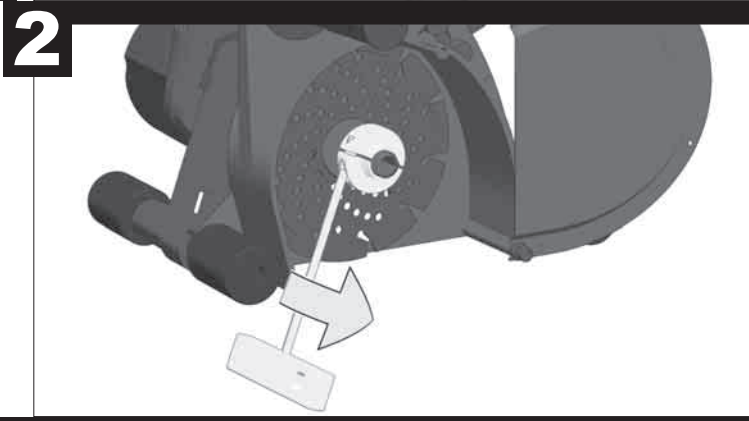
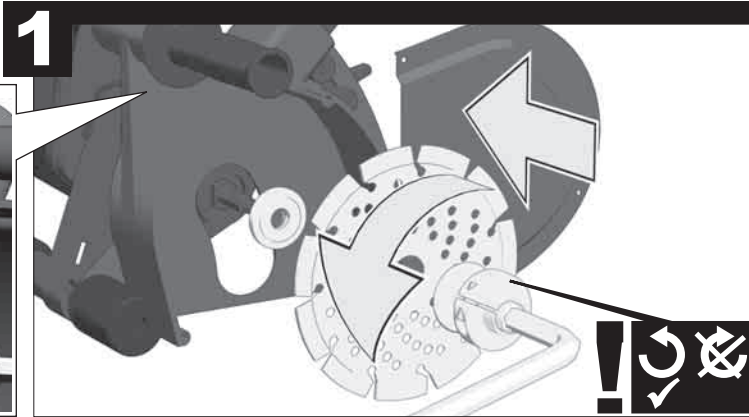
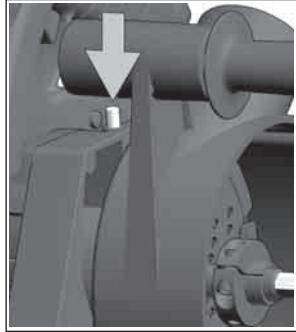
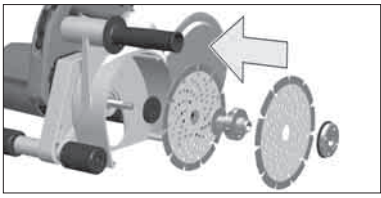
Alguräare kasutusjuhend
Оригинальное руководство
по эксплуатации
Оригинално ръководство за
експлоатация
Instrucțiuni de folosire origi-
nale
Оригинален прирачник за
работа
Оригінал інструкції з
експлуатації
التعليمات الأصلية

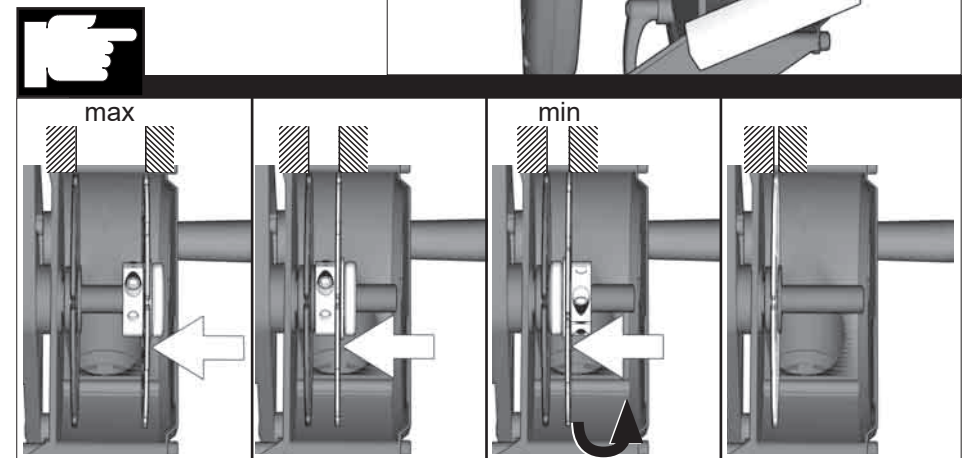
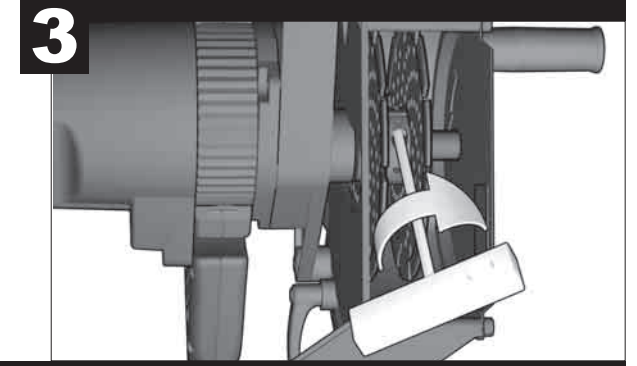
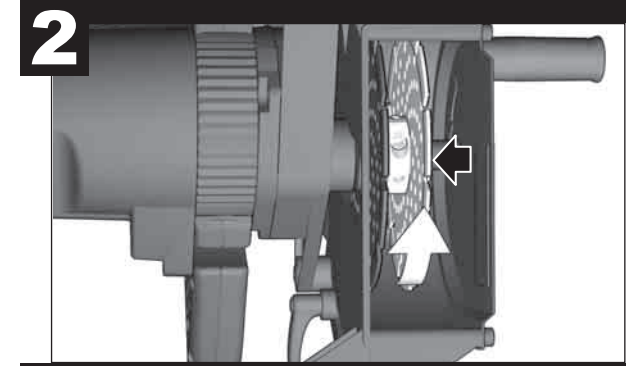
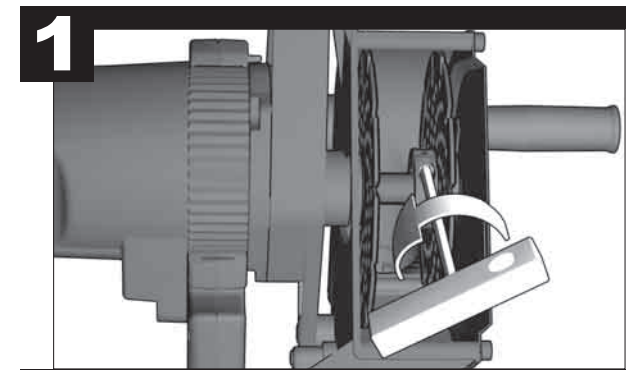
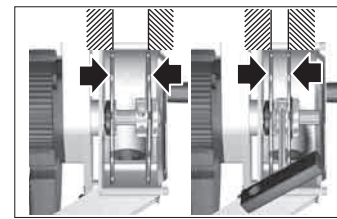
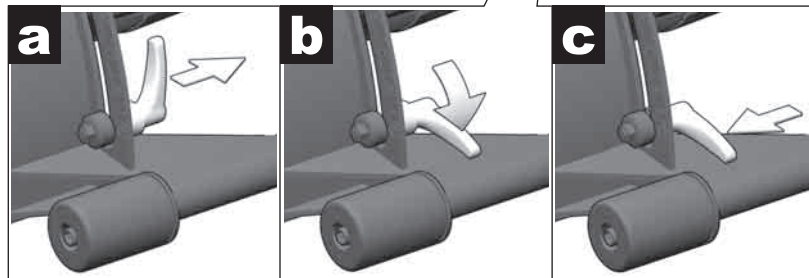
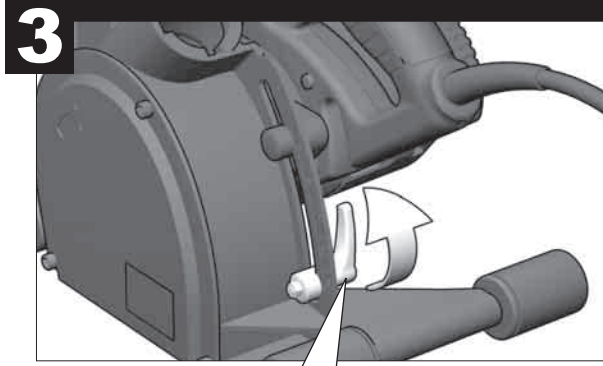
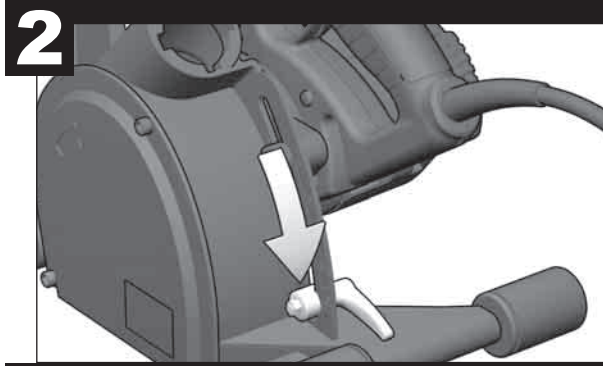
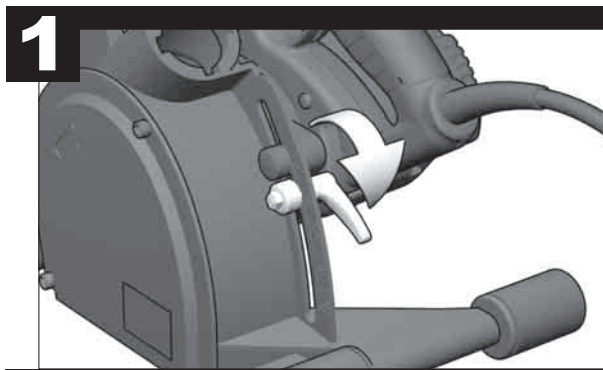
ENGLISH		Picture section with operating description and functional description	4
DEUTSCH		Bildteil mit Anwendungs- und Funktionsbeschreibungen	4
FRANÇAIS		Partie imagée avec description des applications et des fonctions	4
ITALIANO		Sezione illustrata con descrizione dell'applicazione e delle funzioni	4
ESPAÑOL		Sección de ilustraciones con descripción de aplicación y descripción funcional	4
PORTUGUES		Parte com imagens explicativas contendo descrição operacional e funcional	4
NEDERLANDS		Beelddedeelte met toepassings- en functiebeschrijvingen	4
DANSK		Billedel med anvendelses- og funktionsbeskrivelser	4
NORSK		Billedel med bruks- og funksjonsbeskrivelse	4
SVENSKA		Bilddel med användnings- och funktionsbeskrivning	4
SUOMI		Kuvasivut käyttö- ja toimintakuvaukset	4
ΕΛΛΗΝΙΚΑ		Τμήμα εικόνων με περιγραφές χρήσης και λειτουργίας	4
TÜRKÇE		Resim bölümü Uygulama ve fonksiyon açıklamaları ile birlikte	4
ČESKY		Obrazová část s popisem aplikací a funkcí	4
SLOVENSKY		Obrazová část s popisom aplikácií a funkcií	4
POLSKI		Część rysunkowa z opisami zastosowania i działania	4
MAGYAR		Képes részalkalmazási- és működési leírásokkal	4
SLOVENSKO		Del slike z opisom uporabe in funkcij	4
HRVATSKI		Dio sa slikama opisima primjene i funkcija	4
LATVISKI		Attēla daļa ar lietošanas un funkciju aprakstiem	4
LIETUVIŠKAI		Paveikslėlio dalis su vartojimo instrukcija ir funkcijų aprašymais	4
EESTI		Pildiosa kasutusjuhendi ja funktsioonide kirjeldusega	4
РУССКИЙ		Раздел иллюстраций с описанием эксплуатации и функций	4
БЪЛГАРСКИ		Част със снимки с описание за приложение и функции	4
ROMÂNIA		Secvența de imagine cu descrierea utilizării și a funcționării	4
МАКЕДОНСКИ		Дел со сликисо описи за употреба и функционирање	4
УКРАЇНСЬКА		Частина з зображеннями з описом робіт та функцій	4
عربي		قسم الصور يوجد به الوصف التشغيلي والوظيفي	4

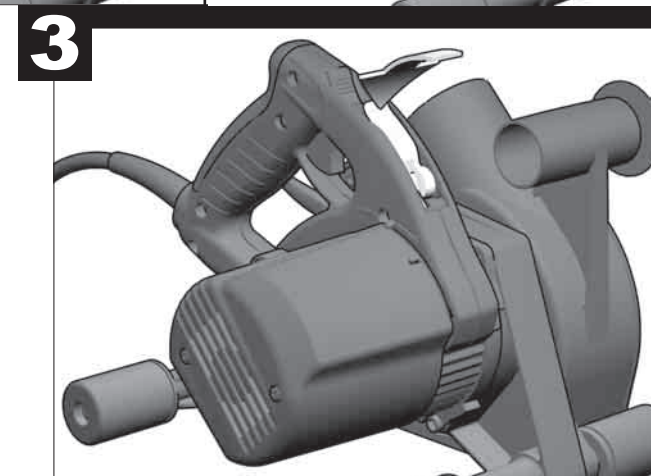
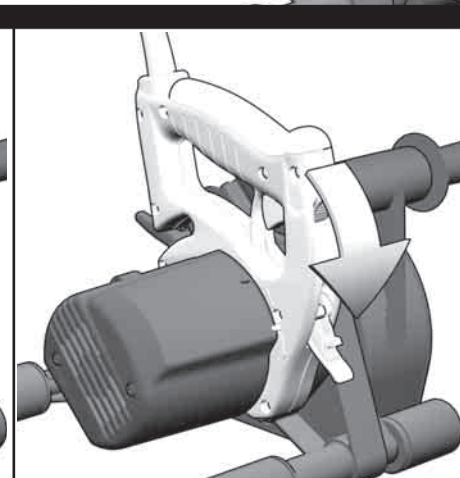
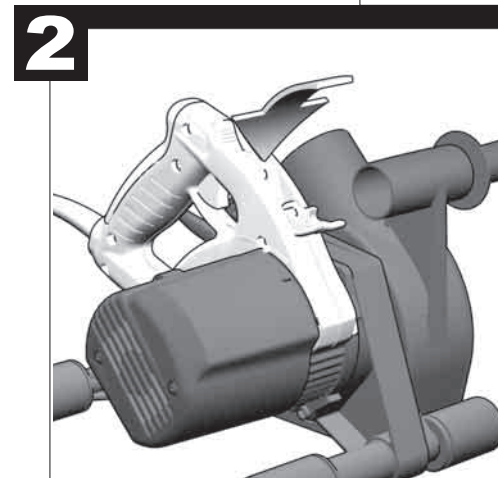
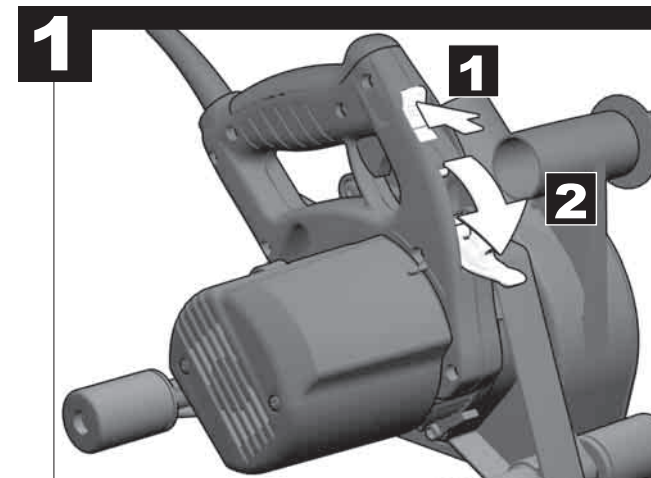
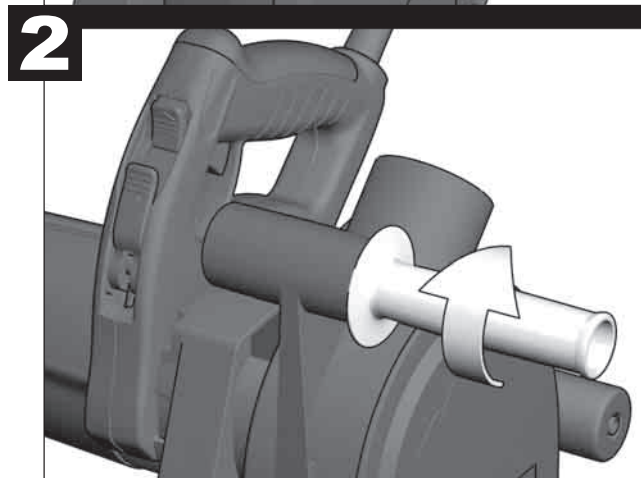
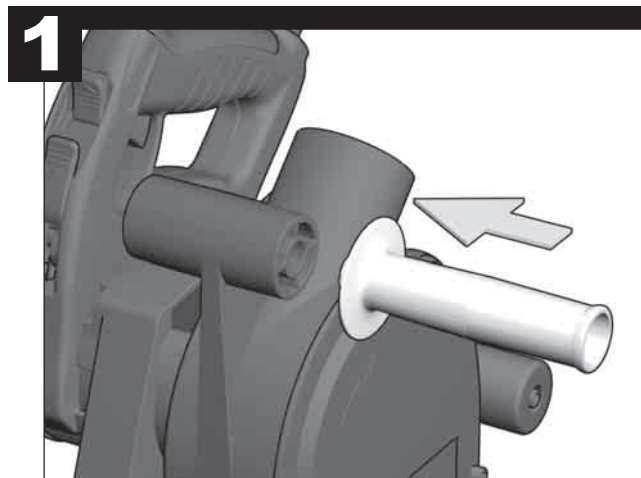
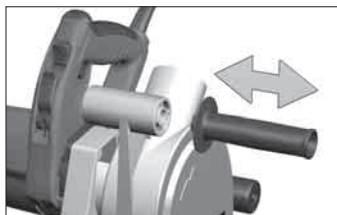
Text section with Technical Data, important Safety and Working Hints and description of Symbols	18
Textteil mit Technischen Daten, wichtigen Sicherheits- und Arbeitshinweisen und Erklärung der Symbole.	22
Partie textuelle avec les données techniques, les consignes importantes de sécurité et de travail ainsi que l'explication des pictogrammes.	26
Sezione testo con dati tecnici, importanti informazioni sulla sicurezza e sull'utilizzo, spiegazione dei simboli.	30
Sección de texto con datos técnicos, indicaciones importantes de seguridad y trabajo y explicación de los símbolos.	34
Parte com texto explicativo contendo Especificações técnicas, Avisos de segurança e de operação e a Descrição dos símbolos.	38
Tekstgedeelte met technische gegevens, belangrijke veiligheids- en arbeidsinstructies en verklaring van de symbolen.	42
Tekstdel med tekniske data, vigtige sikkerheds- og arbejdsanvisninger og symbolforklaring.	46
Tekstdel med tekniske data, viktige sikkerhets- og arbeidsinstruksjoner og forklaring av symbolene.	50
Textdel med tekniska informationer, viktiga säkerhets- och användningsinstruktioner samt symbolförklaringar.	54
Tekstisivut: tekniset tiedot, tärkeät turvallisuus- ja työskentelyohjeet sekä merkien selitykset.	58
Τμήμα κειμένου με τεχνικά χαρακτηριστικά, σημαντικές υποδείξεις ασφαλείας και εργασίας και εξήγηση των συμβόλων.	62
Teknik bilgileri, önemli güvenlik ve çalışma açıklamalarını ve de sembollerin açıklamalarını içeren metin bölümü.	66
Textová část s technickými daty, důležitými bezpečnostními a pracovními pokyny a s vysvětlivkami symbolů	70
Textová část s technickými datami, důležitými bezpečnostními a pracovními pokyny a s vysvětlivkami symbolov	74
Część opisowa z danymi technicznymi, ważnymi wskazówkami dotyczącymi bezpieczeństwa i pracy oraz objaśnieniami symboli.	78
Szöveges rész műszaki adatokkal, fontos biztonsági- és munkavégzési útmutatásokkal, valamint a szimbólumok magyarázata.	82
Del besedila s tehničnimi podatki, pomembnimi varnostnimi opozorili in delovnimi navodili in pojasnili simbolov.	86
Dio štiva sa tehničkim podacima, važnim sigurnosnim i radnim uputama i objašnjenjem simbola.	90
Teksta daļa ar tehnikajiem parametriem, svarīgiem drošības un darbības norādījumiem, simbolu atšifrējumiem.	94
Teksto dalis su techniniais duomenimis, svarbiomis saugumo ir darbo instrukcijomis bei simbolių paaiškinimais.	98
Tekstiosa tehniliste näitajate, oluliste ohutus- ja tööjuhenditega ning sümbolite kirjeldustega.	102
Текстовый раздел, включающий технические данные, важные рекомендации по безопасности и эксплуатации, а также описание используемых символов.	106
Част с текст с технически данни, важни указания за безопасност и работа и разяснение на символите.	110
Porțiune de text cu date tehnice, indicații importante privind siguranța și modul de lucru și descrierea simbolurilor.	114
Текстуален дел со Технички карактеристики, важни безбедносни и работни упатства и објаснување на символите.	118
Текстова частина з техничними даними, важливими вказівками з техніки безпеки та експлуатації і поясненням символів.	122
القسم النصي المزود بالبيانات الفنية والنصائح الهامة للسلامة والعمل ووصف الرموز	131

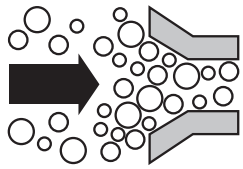




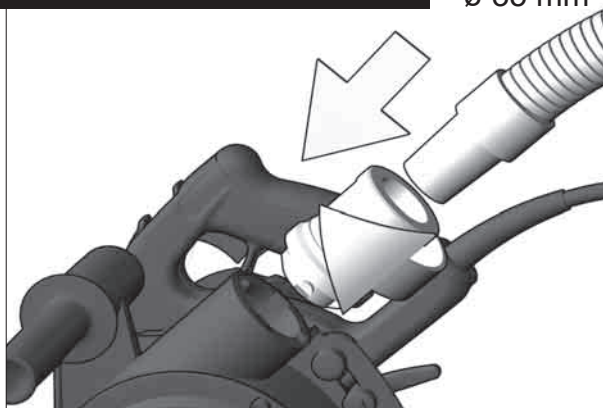




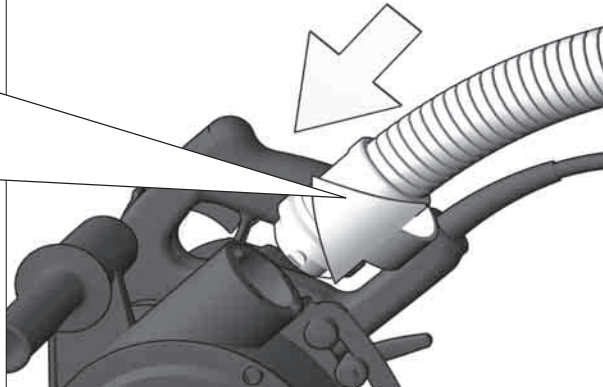




STANDARD ø 35 mm



ANTISTATIC



The antistatic hose available as an accessory prevents static charges while vacuuming stone dust.

Der im Zubehör erhältliche Antistatikschauch verhindert statische Aufladungen bei Absaugung von Gestein.

Le tuyau flexible antistatique (disponible comme accessoire) évite une accumulation de charges électrostatiques lors de l'aspiration de pierre naturelle.

Il tubo antistatico, disponibile come accessorio, previene l'accumulo di cariche statiche durante l'aspirazione di polveri prodotte dalla pietra.

La manguera antiestática (disponible como accesorio) elimina la carga estática producida por la aspiración del polvo

A manguera antiestática, que pode ser adquirida como accesorio, evita as cargas estáticas durante a aspiração da pedra.

De anti-statische slang (leverbaar als extra toebehoren) voorkomt statische lading bij het afzuigen van steenstof.

Den antistatikeslange i tilbehøret forhindrer statisk opladning ved opugning af sten.

Den antistatiska slang som hörer til tilbehøret, hindrer statiske ladinger av sug og stein.

Den antistatiska slang som kan levereras som tillbehör förhindrar statisk laddning vid uppsugning av sten.

Antistaattinen letku estää staattisen sähköön latautumisen kivipölyn imuroimisen yhteydessä (saatavissa tarvikkeena).

Ο αντιστατικός αγωγός που διατίθεται στα αξεσουάρ εμποδίζει τις στατικές φορτίσεις, σε πετρώματα.

Aksesuar olarak alınabilecek anti statik hortum, taş tozunun emilmesi sırasında statik yüklenmeyi önler.

V příslušenství obsažená antistatická hadice zabraňuje vzniku antistatického náboje při odsávání kamene.

V príslušenstve ponúkaná antistatická hadica zabraňuje statickému nabíjaniu pri odsávaní kameňa.

Antystatyczny wąż dostępny jako wyposażenie dodatkowe zapobiega tworzeniu się ładunków elektrostatycznych podczas odkurzania pyłu z kamienia.

Az antistatikus csővel (tartozéként kapható) megelőzhető a statikus töltések a porészívás közben.

Antistatična cev, ki je vsebovana v opremljenju, preprečuje statično naelektrjenje pri odsesavanju kamnin.

Antistatična gumena cijev, koja se može dobiti kao pribor, sprječava statične naboje kod usisavanja kamnija.

Kā komplektējoša detaļa ir nomērkama antistatiska caurule kas pasargā no elektrostatiskās uzlādēšanās, nosūknējot akmeņu virsmas.

Antistatinė žarna, kurią galima įsigyti kaip priedą, užkerta kelią statinėms įkrovoms, siurbiant uolienas.

Tarvikuna saadaolev antistaattiline voolik takistab staattilisi laenguid kivimite äraimemisel.

Антистатичний рукав, який можна замовити зі списку комплектуючих, запобігає утворенню статичного заряду при відсмоктуванні при роботі з каменем.

Furtunul antistatic disponibil ca accesoriu previne încarcările statice când se aspiră praful de piatră.

Antistatiskaite vrećički dostupni kao akcesoriu sprečavaju statični elektricitet pri sobiranju kamena prava.

Antistatichnyy shlang, yakiy možna zamoviti zi spisku komplektuyemykh, zapobigay utvorenniyu statichnogo zarядu pri vidsmoktovanii pri robotax z kamenem.

Antistatichnyy shlang, yakiy možna zamoviti zi spisku komplektuyemykh, zapobigay utvorenniyu statichnogo zarядu pri vidsmoktovanii pri robotax z kamenem.

Antistatichnyy shlang, yakiy možna zamoviti zi spisku komplektuyemykh, zapobigay utvorenniyu statichnogo zarядu pri vidsmoktovanii pri robotax z kamenem.

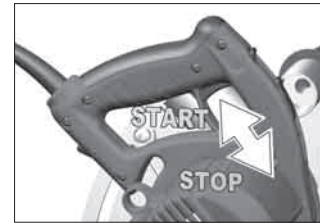
Antistatichnyy shlang, yakiy možna zamoviti zi spisku komplektuyemykh, zapobigay utvorenniyu statichnogo zarядu pri vidsmoktovanii pri robotax z kamenem.

Antistatichnyy shlang, yakiy možna zamoviti zi spisku komplektuyemykh, zapobigay utvorenniyu statichnogo zarядu pri vidsmoktovanii pri robotax z kamenem.

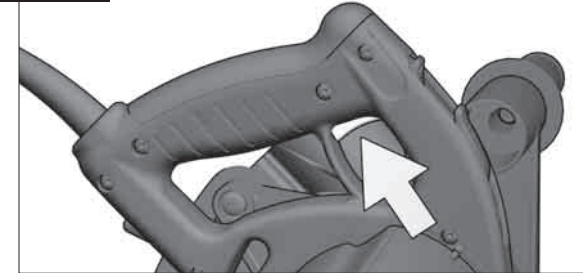
Antistatichnyy shlang, yakiy možna zamoviti zi spisku komplektuyemykh, zapobigay utvorenniyu statichnogo zarядu pri vidsmoktovanii pri robotax z kamenem.

Antistatichnyy shlang, yakiy možna zamoviti zi spisku komplektuyemykh, zapobigay utvorenniyu statichnogo zarядu pri vidsmoktovanii pri robotax z kamenem.

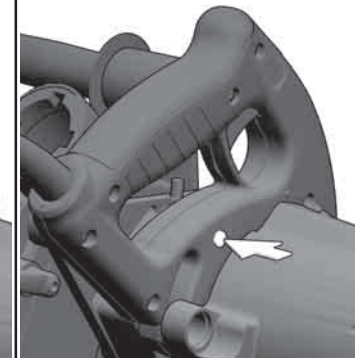
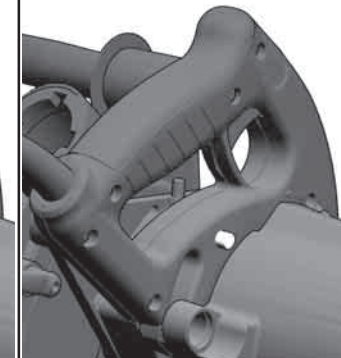
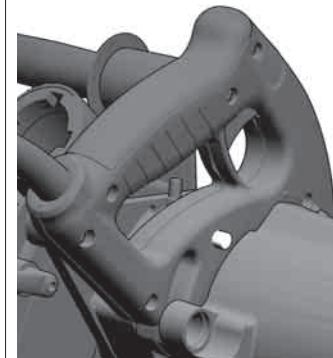
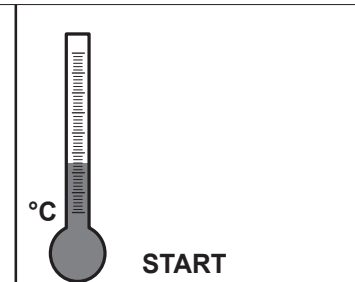
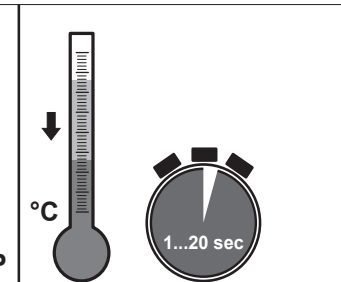
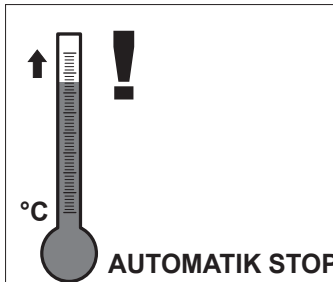
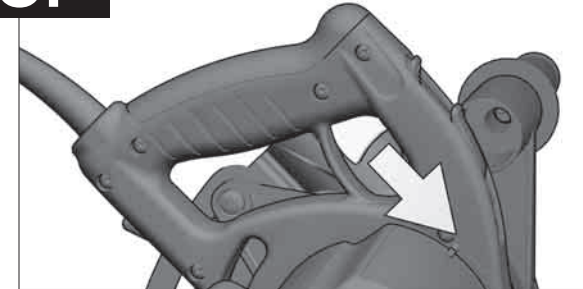
Antistatichnyy shlang, yakiy možna zamoviti zi spisku komplektuyemykh, zapobigay utvorenniyu statichnogo zarядu pri vidsmoktovanii pri robotax z kamenem.

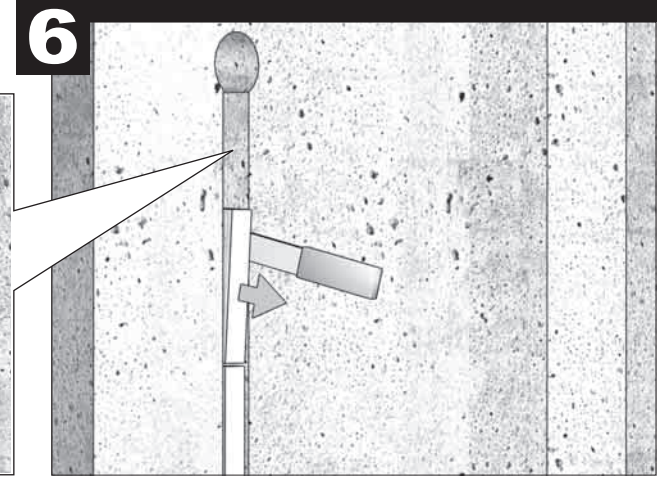
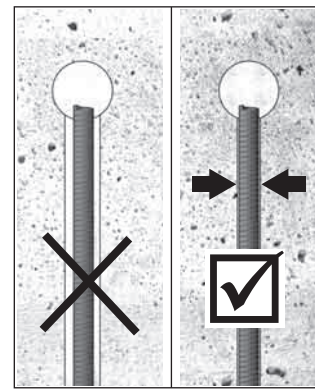
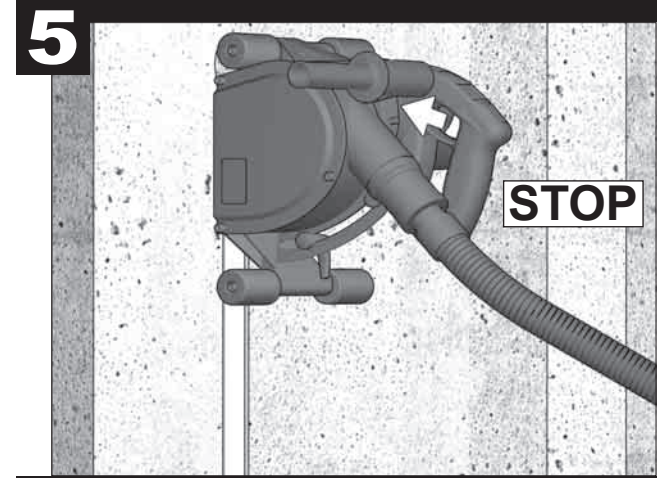
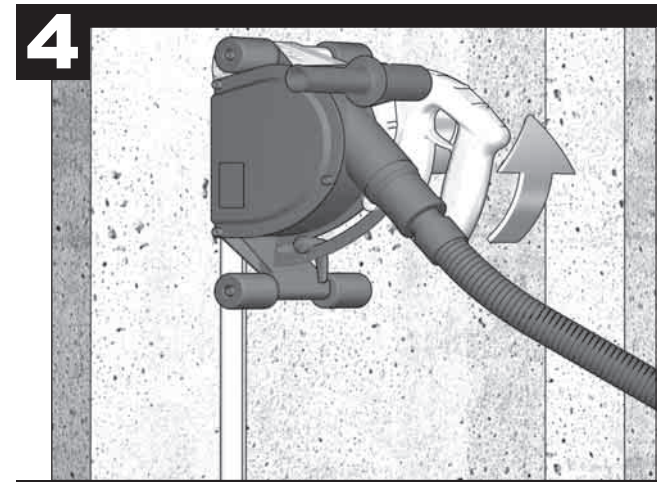
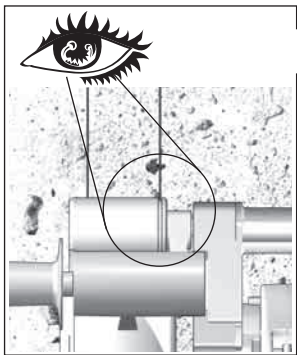
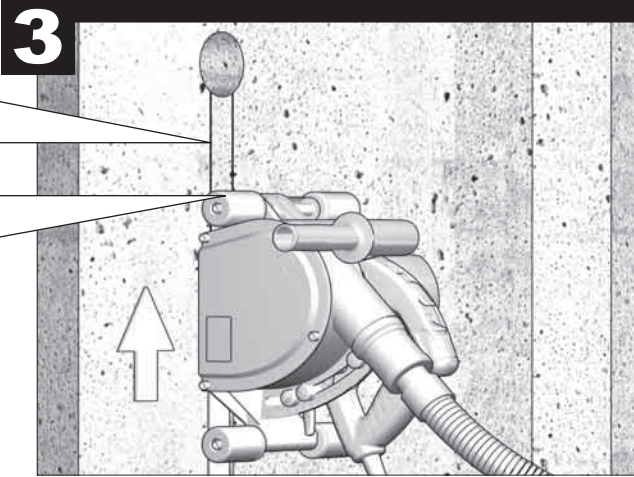
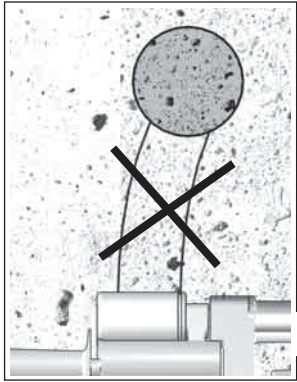
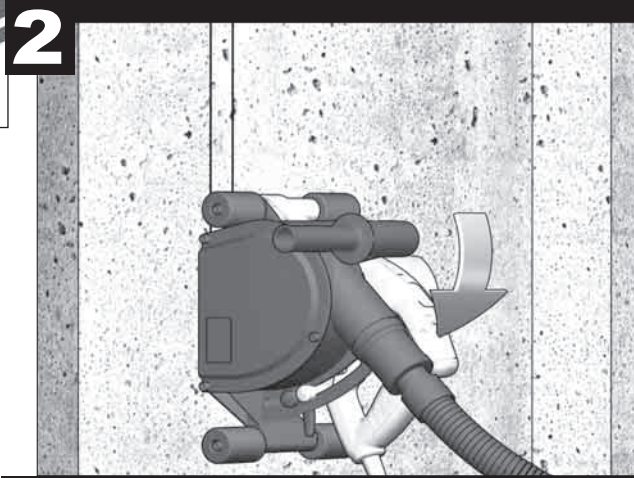
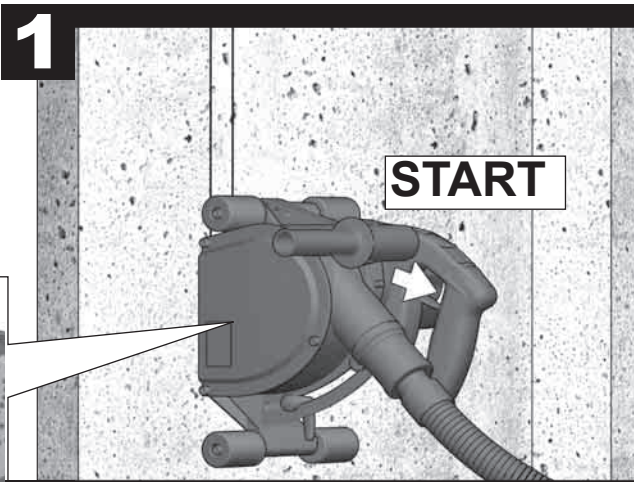
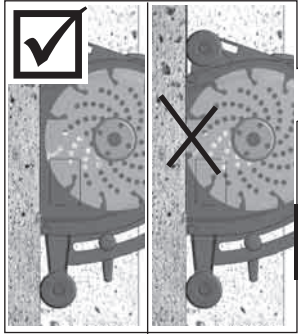
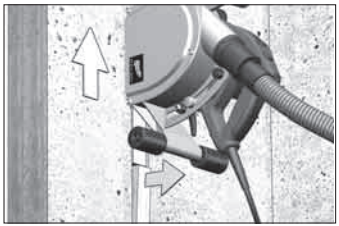


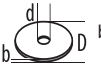
START



STOP





TECHNICAL DATA	WCS 45
Wall Chaser	
Production code	4632 81 03... 3930 04 04... ...000001-999999
Rated input	1900 W
Rated speed	6200 min ⁻¹
D=Diamond cutting disk diameter max. d=hole diameter	150 mm 22,2 mm
 b=Cutting disk thickness min. / max.	2,4 / 2,6 mm
Cutting depth	0-45 mm
Cutting width	17-45 mm
Weight according EPTA-Procedure 01/2014	6,6 kg
Noise/Vibration Information Measured values determined according to EN 60 745. Typically, the A-weighted noise levels of the tool are: Sound pressure level (K=3dB(A)) Sound power level (K=3dB(A))	99 dB(A) 110 dB(A)
Wear ear protectors! Vibration total values (triaxial vector sum) determined according to EN 60745. Vibration emission value a _{h,SG} Uncertainty K	6,5 m/s ² 1,5 m/s ²

WARNING

The vibration emission level given in this information sheet has been measured in accordance with a standardised test given in EN 60745 and may be used to compare one tool with another. It may be used for a preliminary assessment of exposure.

The declared vibration emission level represents the main applications of the tool. However if the tool is used for different applications, with different accessories or poorly maintained, the vibration emission may differ. This may significantly increase the exposure level over the total working period.

An estimation of the level of exposure to vibration should also take into account the times when the tool is switched off or when it is running but not actually doing the job. This may significantly reduce the exposure level over the total working period.

Identify additional safety measures to protect the operator from the effects of vibration such as: maintain the tool and the accessories, keep the hands warm, organisation of work patterns.

⚠ WARNING! Read all safety warnings and all instructions. Failure to follow the warnings and instructions may result in electric shock, fire and/or serious injury.

Save all warnings and instructions for future reference.

⚠ CUT-OFF MACHINE SAFETY WARNINGS

a) The guard provided with the tool must be securely attached to the power tool and positioned for maximum safety, so the least amount of wheel is exposed towards the operator. Position yourself and bystanders away from the plane of the rotating wheel. The guard helps to protect operator from broken wheel fragments and accidental contact with wheel.

b) Use only bonded reinforced or diamond cut-off wheels for your power tool. Just because an accessory can be attached to your power tool, it does not assure safe operation.

c) The rated speed of the accessory must be at least equal to the maximum speed marked on the power tool. Accessories running faster than their rated speed can break and fly apart.

d) Wheels must be used only for recommended applications. For example: do not grind with the side of cut-off wheel. Abrasive cut-off wheels are intended for peripheral grinding, side forces applied to these wheels may cause them to shatter.

e) Always use undamaged wheel flanges that are of correct diameter for your selected wheel. Proper wheel

flanges support the wheel thus reducing the possibility of wheel breakage.

f) Do not use worn down reinforced wheels from larger power tools. Wheels intended for a larger power tool are not suitable for the higher speed of a smaller tool and may burst.

g) The outside diameter and the thickness of your accessory must be within the capacity rating of your power tool. Incorrectly sized accessories cannot be adequately guarded or controlled.

h) The arbour size of wheels and flanges must properly fit the spindle of the power tool. Wheels and flanges with arbour holes that do not match the mounting hardware of the power tool will run out of balance, vibrate excessively and may cause loss of control.

i) Do not use damaged wheels. Before each use, inspect the wheels for chips and cracks. If power tool or wheel is dropped, inspect for damage or install an undamaged wheel. After inspecting and installing the wheel, position yourself and bystanders away from the plane of the rotating wheel and run the power tool at maximum no load speed for one minute. Damaged wheels will normally break apart during this test time.

j) Wear personal protective equipment. Depending on application, use face shield, safety goggles or safety glasses. As appropriate, wear dust mask, hearing protectors, gloves and shop apron capable of stopping small abrasive or workpiece fragments. The eye protection must be capable of stopping flying debris generated by various operations. The dust mask or respirator must be capable of filtering particles generated

by your operation. Prolonged exposure to high intensity noise may cause hearing loss.

k) Keep bystanders a safe distance away from work area. Anyone entering the work area must wear personal protective equipment. Fragments of workpiece or of a broken wheel may fly away and cause injury beyond immediate area of operation.

l) Hold the power tool by insulated gripping surfaces only, when performing an operation where the cutting accessory may contact hidden wiring or its own cord. Cutting accessory contacting a „live“ wire may make exposed metal parts of the power tool „live“ and could give the operator an electric shock.

m) Position the cord clear of the spinning accessory. If you lose control, the cord may be cut or snagged and your hand or arm may be pulled into the spinning accessory.

n) Never lay the power tool down until the accessory has come to a complete stop. The spinning wheel may grab the surface and pull the power tool out of your control.

o) Do not run the power tool while carrying it at your side. Accidental contact with the spinning accessory could snag your clothing, pulling the accessory into your body.

p) Regularly clean the power tool's air vents. The motor's fan will draw the dust inside the housing and excessive accumulation of powdered metal may cause electrical hazards.

q) Do not operate the power tool near flammable materials. Sparks could ignite these materials.

r) Do not use accessories that require liquid coolants. Using water or other liquid coolants may result in electrocution or shock.

Further safety instructions for abrasive cutting-off operations

Kickback and related warnings

Kickback is a sudden reaction to a pinched or snagged rotating wheel. Pinching or snagging causes rapid stalling of the rotating wheel which in turn causes the uncontrolled power tool to be forced in the direction opposite of the wheel's rotation at the point of the binding.

For example, if an abrasive wheel is snagged or pinched by the workpiece, the edge of the wheel that is entering into the pinch point can dig into the surface of the material causing the wheel to climb out or kick out. The wheel may either jump toward or away from the operator, depending on direction of the wheel's movement at the point of pinching. Abrasive wheels may also break under these conditions.

Kickback is the result of power tool misuse and/or incorrect operating procedures or conditions and can be avoided by taking proper precautions as given below.

a) Maintain a firm grip on the power tool and position your body and arm to allow you to resist kickback forces. Always use auxiliary handle, if provided, for maximum control over kickback or torque reaction during start-up. The operator can control torque reactions or Kickback forces, if proper precautions are taken.

b) Never place your hand near the rotating accessory. Accessory may kickback over your hand.

c) Do not position your body in line with the rotating wheel. Kickback will propel the tool in direction opposite to the wheel's movement at the point of snagging.

d) Use special care when working corners, sharp edges etc. Avoid bouncing and snagging the accessory. Corners, sharp edges or bouncing have a tendency to snag the rotating accessory and cause loss of control or kickback.

e) Do not attach a saw chain, woodcarving blade, segmented diamond wheel with a peripheral gap greater

than 10 mm or toothed saw blade. Such blades create frequent kickback and loss of control.

f) Do not "jam" the wheel or apply excessive pressure. Do not attempt to make an excessive depth of cut. Overstressing the wheel increases the loading and susceptibility to twisting or binding of the wheel in the cut and the possibility of kickback or wheel breakage.

g) When wheel is binding or when interrupting a cut for any reason, switch off the power tool and hold the power tool motionless until the wheel comes to a complete stop. Never attempt to remove the wheel from the cut while the wheel is in motion otherwise kickback may occur. Investigate and take corrective action to eliminate the cause of wheel binding.

h) Do not restart the cutting operation in the workpiece. Let the wheel reach full speed and carefully re-enter the cut. The wheel may bind, walk up or kickback if the power tool is restarted in the workpiece.

i) Support panels or any oversized workpiece to minimize the risk of wheel pinching and kickback. Large workpieces tend to sag under their own weight. Supports must be placed under the workpiece near the line of cut and near the edge of the workpiece on both sides of the wheel.

j) Use extra caution when making a "pocket cut" into existing walls or other blind areas. The protruding wheel may cut gas or water pipes, electrical wiring or objects that can cause kickback.

WALL CHASER & DUST EXTRACTOR TOOL SYSTEM

Use only dust extractors for dust class M with the wall chaser. Dust capture and separation may not be as good with other combinations.

Observe the instructions for operating, maintaining and cleaning the dust extractor, including the filters. Empty the dust container immediately when it becomes full.

Use only the designated suction hose. Do not modify the suction hose. If masonry chunks enter the suction hose, stop work and clear the suction hose immediately. Avoid kinking the suction hose.

Clean and exchange filters regularly. Do not remove any filters or filter components.

Select wall chasers and cutting discs to suit the substrate material. Various types of cutting disc are available for different substrates.

Use only diamond-tipped cutting discs. Segmented diamond discs may only be used if they have negative rake and the gap between segments is no wider than 10 mm.

Replace or sharpen cutting discs promptly whenever necessary. When cutting performance decreases, check whether the cutting discs are worn and need to be replaced or resharpened.

Start and continue grooves as described in the operating instructions.

WORKPLACE

Ensure compliance with the general requirements for construction work sites (provide adequate lighting, avoid fall hazards, etc.). Follow safety instructions.

Ensure good ventilation.

Keep the work area clear and unobstructed. With relatively long grooves, the dust extractor must be able to move freely with the chaser and/or travel directly after it.

WORK ORGANIZATION

Use hearing protection, eye protection, respiratory protection and (if necessary) gloves. At minimum, use a class FFP2 half-face particulate mask for respiratory protection.

Use a dust extractor to keep the workplace clean. To avoid stirring up dust, do not sweep up dust deposits.

TRANSPORT, HANDLING AND STORAGE

Diamond cutting discs must be handled and transported with care. Use the original packaging if possible, or use other suitable packaging.

Store the discs in a dry location where they are not exposed to mechanical damage.

Protect cutting discs against shock, impact and harmful environmental factors.

MAINS CONNECTION

Connect only to single-phase a.c. current and only to the system voltage indicated on the rating plate. It is also possible to connect to sockets without an earthing contact as the design conforms to safety class II.

SPECIFIED CONDITIONS OF USE

The wall-chaser machine cuts slots for cables and pipes (masonry grooves) in any kind of brickwork with two diamond cutting discs running parallel to each other.

Do not use this product in any other way as stated for normal use.

Appliances used at many different locations including wet room and open air must be connected via a residual current device (FI, RCD, PRCD) of 30mA or less.

EC-DECLARATION OF CONFORMITY

We declare under our sole responsibility that the product described under "Technical Data" fulfills all the relevant regulations and the directives 2011/65/EU (RoHS), 2014/30/EU, 2006/42/EC, and the following harmonized standards have been used:

EN 60745-1:2009 + A11:2010
EN 60745-2-22:2011 + A11:2013
EN 55014-1:2017
EN 55014-2:2015
EN 61000-3-2:2014
EN 61000-3-3:2013
EN 50581:2012

Winnenden, 2018-02-26


Alexander Krug
Managing Director



Authorized to compile the technical file.

Techtronic Industries GmbH
Max-Eyth-Straße 10
71364 Winnenden
Germany

ADVICE FOR OPERATION

The machine switches off automatically if the motor is overloaded. Allow it to cool, press the overload button and restart the machine. If the overload protection switches it off frequently, reduce the cutting pressure or depth of cut.

The infinitely variable cutting width setting has the advantage that, if the groove width is set correctly, pipes etc. can be fitted precisely into the groove and it is not necessary to secure them with nails etc. to prevent them from falling out.

Sharpen blunt diamond cutting blades (can be recognised by sparks flying while cutting) by making several cuts into calcareous sandstone or a special sharpening stone.

The cutting discs get very hot when in use. Do not touch them before they have cooled down.

MAINTENANCE

The ventilation slots of the machine must be kept clear at all times.

Use only Milwaukee accessories and spare parts. Should components need to be exchanged which have not been described, please contact one of our Milwaukee service agents (see our list of guarantee/service addresses).

If needed, an exploded view of the tool can be ordered. Please state the machine type printed as well as the six-digit No. on the label and order the drawing at your local service agents or directly at: Techtronic Industries GmbH, Max-Eyth-Straße 10, 71364 Winnenden, Germany.

SYMBOLS



CAUTION! WARNING! DANGER!



Always disconnect the plug from the socket before carrying out any work on the machine.



Please read the instructions carefully before starting the machine.



Always wear goggles when using the machine.



Wear ear protectors!



Use an FFP2 particulate respirator as the minimum amount of protection.



Wear gloves!



Accessory - Not included in standard equipment, available as an accessory.



Do not dispose of electric tools together with household waste material. Electric tools and electronic equipment that have reached the end of their life must be collected separately and returned to an environmentally compatible recycling facility. Check with your local authority or retailer for recycling advice and collection point.



Class II tool, tool in which protection against electric shock does not rely on basic insulation only, but in which additional safety precautions, such as double insulation or reinforced insulation, are provided. There being no provision for protective earthing or reliance upon installation conditions.



European Conformity Mark




Regulatory Compliance Mark (RCM). Product meets applicable regulatory requirements.



National mark of conformity Ukraine



Eurasian Conformity Mark.

TECHNISCHE DATEN	WCS 45
Mauernutfräse	
Produktionsnummer	4632 81 03... 3930 04 04... ...000001-999999
Nennaufnahmeleistung	1900 W
Nenndrehzahl	6200 min ⁻¹
D=Diamanttrennscheiben-ø max. d=Bohrungs-ø	150 mm 22,2 mm
 b=Trennscheibendicke min. / max	2,4 / 2,6 mm
Schnitttiefe	0-45 mm
Schnittbreite	17-45 mm
Gewicht nach EPTA-Prozedur 01/2014	6,6 kg
Geräusch/Vibrationsinformation Messwerte ermittelt entsprechend EN 60745. Der A-bewertete Geräuschpegel des Gerätes beträgt typischerweise: Schalldruckpegel (K=3dB(A)) Schalleistungspegel (K=3dB(A))	99 dB(A) 110 dB(A)
Gehörschutz tragen! Schwingungsgesamtwerte (Vektorsumme dreier Richtungen) ermittelt entsprechend EN 60745. Schwingungsemissionswert a _n Unsicherheit K	6,5 m/s ² 1,5 m/s ²

WARNUNG

Der in diesen Anweisungen angegebene Schwingungspegel ist entsprechend einem in EN 60745 genannten Messverfahren gemessen worden und kann für den Vergleich von Elektrowerkzeugen miteinander verwendet werden. Er eignet sich auch für eine vorläufige Einschätzung der Schwingungsbelastung.

Der angegebene Schwingungspegel repräsentiert die hauptsächlichsten Anwendungen des Elektrowerkzeugs. Wenn allerdings das Elektrowerkzeug für andere Anwendungen, mit abweichenden Einsatzwerkzeugen oder ungenügender Wartung eingesetzt wird, kann der Schwingungspegel abweichen. Dies kann die Schwingungsbelastung über den gesamten Arbeitszeitraum deutlich erhöhen.

Für eine genaue Abschätzung der Schwingungsbelastung sollten auch die Zeiten berücksichtigt werden, in denen das Gerät abgeschaltet ist oder zwar läuft, aber nicht tatsächlich im Einsatz ist. Dies kann die Schwingungsbelastung über den gesamten Arbeitszeitraum deutlich reduzieren.

Legen Sie zusätzliche Sicherheitsmaßnahmen zum Schutz des Bedieners vor der Wirkung von Schwingungen fest wie zum Beispiel: Wartung von Elektrowerkzeug und Einsatzwerkzeugen, Warmhalten der Hände, Organisation der Arbeitsabläufe.

⚠️ WARNUNG! Lesen Sie alle Sicherheitshinweise und Anweisungen. Versäumnisse bei der Einhaltung der Sicherheitshinweise und Anweisungen können elektrischen Schlag, Brand und/oder schwere Verletzungen verursachen.
Bewahren Sie alle Sicherheitshinweise und Anweisungen für die Zukunft auf.

⚠️ SICHERHEITSHINWEISE FÜR TRENNSCHEIFMASCHINEN

a) Die zum Elektrowerkzeug gehörende Schutzhaube muss sicher angebracht und so eingestellt sein, dass ein Höchstmaß an Sicherheit erreicht wird, d. h. der kleinstmögliche Teil des Schleifkörpers zeigt offen für die Bedienperson. Halten Sie und in der Nähe befindliche Personen sich außerhalb der Ebene der rotierenden Schleifscheibe. Die Schutzhaube soll die Bedienperson vor Bruchstücken und zufälligem Kontakt mit dem Schleifkörper schützen.

b) Verwenden Sie ausschließlich gerade verstärkte oder diamantbesetzte Trennscheiben für Ihr Elektrowerkzeug. Nur weil Sie das Zubehör an Ihrem Elektrowerkzeug befestigen können, garantiert das keine sichere Verwendung.

c) Die zulässige Drehzahl des Einsatzwerkzeugs muss mindestens so hoch sein wie die auf dem Elektrowerkzeug angegebene Höchstdrehzahl. Zubehör, das sich schneller als zulässig dreht, kann zerbrechen und umherfliegen.

d) Schleifkörper dürfen nur für die empfohlenen Einsatzmöglichkeiten verwendet werden. Z.B.: Schleifen Sie nie mit der Seitenfläche einer Trennscheibe. Trennscheiben sind zum Materialabtrag mit der Kante der Scheibe bestimmt. Seitliche Kräfteeinwirkung auf diese Schleifkörper kann sie zerbrechen.

e) Verwenden Sie immer unbeschädigte Spannflansche in der richtigen Größe für die von Ihnen gewählte Trennscheibe. Geeignete Flansche stützen die Trennscheibe und verringern so die Gefahr eines Trennscheibenbruchs.

f) Verwenden Sie keine abgenutzten Schleifscheiben von größeren Elektrowerkzeugen. Schleifscheiben für größere Elektrowerkzeuge sind nicht für die höheren Drehzahlen von kleineren Elektrowerkzeugen ausgelegt und können brechen.

g) Außendurchmesser und Dicke des Einsatzwerkzeugs müssen den Maßangaben Ihres Elektrowerkzeugs entsprechen. Falsch bemessene Einsatzwerkzeuge können nicht ausreichend abgeschirmt oder kontrolliert werden.

h) Schleifscheiben und Flansche müssen genau auf die Schleifspindel Ihres Elektrowerkzeugs passen. Einsatzwerkzeuge, die nicht genau auf die Schleifspindel des Elektrowerkzeugs passen, drehen sich ungleichmäßig, vibrieren sehr stark und können zum Verlust der Kontrolle führen.

i) Verwenden Sie keine beschädigten Schleifscheiben. Kontrollieren Sie vor jeder Verwendung die Schleifscheiben auf Absplittierungen und Risse. Wenn das Elektrowerkzeug oder die Schleifscheibe herunterfällt, überprüfen Sie, ob es beschädigt ist, oder verwenden Sie eine unbeschädigte Schleifscheibe. Wenn Sie die Schleifscheibe kontrolliert und eingesetzt haben, halten Sie und in der Nähe befindliche Personen sich außerhalb der Ebene der rotierenden Schleifscheibe und lassen Sie das Gerät eine Minute lang mit Höchstdrehzahl laufen. Beschädigte Schleifscheiben brechen meist in dieser Testzeit.

j) Tragen Sie persönliche Schutzausrüstung. Verwenden Sie je nach Anwendung Vollgesichtsschutz, Augenschutz oder Schutzbrille. Soweit angemessen, tragen Sie Staubmaske, Gehörschutz, Schutzhandschuhe oder Spezialschürze, die kleine Schleif- und Materialpartikel von Ihnen fernhält. Die Augen sollen vor herumfliegenden Fremdkörpern geschützt werden, die bei verschiedenen Anwendungen entstehen. Staub oder Atemschutzmaske müssen den bei der Anwendung entstehenden Staub filtern. Wenn Sie lange lautem Lärm ausgesetzt sind, können Sie einen Hörverlust erleiden.

k) Achten Sie bei anderen Personen auf sicheren Abstand zu Ihrem Arbeitsbereich. Jeder, der den Arbeitsbereich betritt, muss persönliche Schutzausrüstung tragen. Bruchstücke des Werkstücks oder gebrochener Einsatzwerkzeuge können wegfliegen und Verletzungen auch außerhalb des direkten Arbeitsbereichs verursachen.

l) Halten Sie das Elektrowerkzeug nur an den isolierten Griffflächen, wenn Sie Arbeiten ausführen, bei denen das Einsatzwerkzeug verborgene Stromleitungen oder das eigene Netzkabel treffen kann. Der Kontakt mit einer spannungsführenden Leitung kann metallene Geräteteile unter Spannung setzen und zu einem elektrischen Schlag führen.

m) Halten Sie das Netzkabel von sich drehenden Einsatzwerkzeugen fern. Wenn Sie die Kontrolle über das Elektrowerkzeug verlieren, kann das Netzkabel durchtrennt oder erfasst werden und Ihre Hand oder Ihr Arm in das sich drehende Einsatzwerkzeug geraten.

n) Legen Sie das Elektrowerkzeug niemals ab, bevor das Einsatzwerkzeug völlig zum Stillstand gekommen ist. Das sich drehende Einsatzwerkzeug kann in Kontakt mit der Ablagefläche geraten, wodurch Sie die Kontrolle über das Elektrowerkzeug verlieren können.

o) Lassen Sie das Elektrowerkzeug nicht laufen, während Sie es tragen. Ihre Kleidung kann durch zufälligen Kontakt mit dem sich drehenden Einsatzwerkzeug erfasst werden, und das Einsatzwerkzeug sich in Ihren Körper bohren.

p) Reinigen Sie regelmäßig die Lüftungsschlitze Ihres Elektrowerkzeugs. Das Motorgebläse zieht Staub in das Gehäuse, und eine starke Ansammlung von Metallstaub kann elektrische Gefahren verursachen.

q) Verwenden Sie das Elektrowerkzeug nicht in der Nähe brennbarer Materialien. Funken können diese Materialien entzünden.

r) Verwenden Sie keine Einsatzwerkzeuge, die flüssige Kühlmittel erfordern. Die Verwendung von Wasser oder anderen flüssigen Kühlmitteln kann zu einem elektrischen Schlag führen.

Weitere Sicherheitshinweise für Trennschleifanwendungen

Rückschlag und entsprechende Sicherheitshinweise

Rückschlag ist die plötzliche Reaktion infolge einer hakenden oder blockierten drehenden Schleifscheibe. Verhaken oder Blockieren führt zu einem abrupten Stopp des rotierenden Einsatzwerkzeugs. Dadurch wird ein unkontrolliertes Elektrowerkzeug gegen die Drehrichtung des Einsatzwerkzeugs an der Blockierstelle beschleunigt.

Wenn z. B. eine Schleifscheibe im Werkstück hakt oder blockiert, kann sich die Kante der Schleifscheibe, die in das Werkstück eintaucht, verfangen und dadurch die Schleifscheibe ausbrechen oder einen Rückschlag verursachen. Die Schleifscheibe bewegt sich dann auf die Bedienperson zu oder von ihr weg, je nach Drehrichtung der Scheibe an der Blockierstelle. Hierbei können Schleifscheiben auch brechen.

Ein Rückschlag ist die Folge eines falschen oder fehlerhaften Gebrauchs des Elektrowerkzeugs. Er kann durch geeignete Vorsichtsmaßnahmen, wie nachfolgend beschrieben, verhindert werden.

a) Halten Sie das Elektrowerkzeug gut fest und bringen Sie Ihren Körper und Ihre Arme in eine Position, in der Sie die Rückschlagkräfte abfangen können. Verwenden Sie immer den Zusatzgriff, falls vorhanden, um die größtmögliche Kontrolle über Rückschlagkräfte oder Reaktionsmomente beim Hochlauf zu haben. Die Bedienperson kann durch geeignete Vorsichtsmaßnahmen die Rückschlag und Reaktionskräfte beherrschen.

b) Bringen Sie Ihre Hand nie in die Nähe sich drehender Einsatzwerkzeuge. Das Einsatzwerkzeug kann sich beim Rückschlag über Ihre Hand bewegen.

c) Meiden Sie den Bereich vor und hinter der rotierenden Trennscheibe. Der Rückschlag treibt das Elektrowerkzeug in die Richtung entgegengesetzt zur Bewegung der Schleifscheibe an der Blockierstelle.

d) Arbeiten Sie besonders vorsichtig im Bereich von Ecken, scharfen Kanten usw. Verhindern Sie, dass Einsatzwerkzeuge vom Werkstück zurückprallen und verklebten. Das rotierende Einsatzwerkzeug neigt bei Ecken, scharfen Kanten oder wenn es abprallt, dazu, sich zu verklebten. Dies verursacht einen Kontrollverlust oder Rückschlag.

e) Verwenden Sie kein Ketten- oder gezähntes Sägeblatt sowie keine segmentierte Diamantscheibe mit mehr als 10 mm breiten Schlitten. Solche Einsatzwerkzeuge verursachen häufig einen Rückschlag oder den Verlust der Kontrolle über das Elektrowerkzeug.

f) Vermeiden Sie ein Blockieren der Trennscheibe oder zu hohen Anpressdruck. Führen Sie keine übermäßig tiefen Schnitte aus. Eine Überlastung der Trennscheibe erhöht deren Beanspruchung und die Anfälligkeit zum Verhaken oder Blockieren und damit die Möglichkeit eines Rückschlags oder Schleifkörperbruchs.

g) Falls die Trennscheibe verklebt oder Sie die Arbeit unterbrechen, schalten Sie das Elektrowerkzeug aus und halten Sie es ruhig, bis die Scheibe zum Stillstand gekommen ist. Versuchen Sie nie, die noch laufende Trennscheibe aus dem Schnitt zu ziehen, sonst kann ein Rückschlag erfolgen. Ermitteln und beheben Sie die Ursache für das Verkleben.

h) Schalten Sie das Elektrowerkzeug nicht wieder ein, solange es sich im Werkstück befindet. Lassen Sie die Trennscheibe erst ihre volle Drehzahl erreichen, bevor Sie den Schnitt vorsichtig fortsetzen. Anderenfalls kann die Scheibe verhaken, aus dem Werkstück springen oder einen Rückschlag verursachen.

i) Stützen Sie Platten oder große Werkstücke ab, um das Risiko eines Rückschlags durch eine eingeklemmte Trennscheibe zu vermindern. Große Werkstücke können sich unter ihrem eigenen Gewicht durchbiegen. Das Werkstück muss auf beiden Seiten abgestützt werden, und zwar sowohl in der Nähe des Trennschnitts als auch an der Kante.

j) Seien Sie besonders vorsichtig bei „Taschenschnitten“ in bestehende Wände oder andere nicht einsehbare Bereiche. Die eintauchende Trennscheibe kann beim Schneiden in Gas oder Wasserleitungen, elektrische Leitungen oder andere Objekte einen Rückschlag verursachen.

ARBEITSSYSTEM MAUERNUTFRÄSE - ENTSTAUBER

Die Mauernutfräse nur mit den Entstaubern der Staubklasse M einsetzen. Andere Kombinationen können zu einer schlechteren Erfassung und Abscheidung der Stäube führen.

Hinweise zum Betrieb, zur Wartung und zur Reinigung des Entstaubers einschließlich der Filter beachten. Wenn Staubsammelbehälter voll sind, sofort entleeren.

Nur den vorgesehenen Ansaugschlauch verwenden. Ansaugschlauch nicht manipulieren. Gelangen Gesteinsbrocken in den Ansaugschlauch, Arbeit unterbrechen und den Ansaugschlauch sofort reinigen. Abknicken des Ansaugschlauches vermeiden.

Filter regelmäßig abreinigen und austauschen; keine Filter/ Filterkomponenten entfernen.

Mauernutfräse und Trennscheiben entsprechend dem Untergrund auswählen. Die Hersteller bieten je nach Untergrund verschiedene Trennscheiben an.

Verwenden Sie nur diamantbesetzte Trennscheiben. Segmentierte Diamantscheiben dürfen nur negative Schneidwinkel und maximale Schlitzte von 10 mm zwischen den Segmenten aufweisen.

Trennscheiben rechtzeitig auswechseln bzw. nachschärfen. Bei Verringerung der Schnittleistung Kontrolle, ob die Trennscheiben verschlissen sind und ausgewechselt bzw. nachgeschärft werden müssen.

Eintauchvorgang und Arbeitsablauf, wie in der Bedienungsanleitung beschrieben, durchführen.

ARBEITSPLATZ

Einhaltung der allgemeinen Anforderungen an Arbeitsplätzen auf Baustellen (ausreichende Beleuchtung, Absturzstellen vermeiden etc.) ist sicherzustellen. Sicherheitshinweise beachten.

Für gute Durchlüftung sorgen.

Freies Arbeitsfeld gewährleisten. Bei längeren Nuten muss der Entstauber frei nachführbar sein bzw. rechtzeitig nachgeführt werden.

ARBEITSORGANISATION

Gehörschutz, Augenschutz, Atemschutz und ggf. Handschuhe verwenden. Als Atemschutz mindestens eine Partikel filterierende Halbmaske der Klasse FFP2 verwenden.

Entstauber zur Arbeitsplatzreinigung verwenden. Abgelagerten Staub nicht durch Kehren aufwirbeln.

TRANSPORT, HANDHABUNG, LAGERUNG

Diamanttrennscheiben müssen mit Sorgfalt behandelt und transportiert werden, verwenden sie nach Möglichkeit die Originalverpackung oder eine andere geeignete Verpackung.

Die Scheiben müssen in trockener Umgebung so gelagert werden, dass sie keinen mechanischen Beschädigungen ausgesetzt sind.

Schützen sie die Trennscheiben vor Schlag und Stoß und schädlichen Umwelteinflüssen.

NETZANSCHLUSS

Nur an Einphasen-Wechselstrom und nur an die auf dem Leistungsschild angegebene Netzspannung anschließen. Anschluss ist auch an Steckdosen ohne Schutzkontakt möglich, da ein Aufbau der Schutzklasse II vorliegt.

BESTIMMUNGSGEMÄSSE VERWENDUNG

Die Mauernutfräse fräst mit zwei parallel laufenden Diamanttrennscheiben Leitungs- und Kabelschlitze (Mauernuten) in jede Art von Mauerwerk.

Dieses Gerät darf nur wie angegeben bestimmungsgemäß verwendet werden.

Steckdosen in Feuchträumen und Außenbereichen müssen mit Fehlerstrom-Schutzschaltern (FI, RCD, PRCD) ausgerüstet sein. Das verlangt die Installationsvorschrift für Ihre Elektroanlage. Bitte beachten Sie das bei der Verwendung unseres Gerätes.

CE-KONFORMITÄTSERKLÄRUNG

Wir erklären in alleiniger Verantwortung, dass das unter „Technische Daten“ beschriebene Produkt mit allen relevanten Vorschriften der Richtlinie 2011/65/EU (RoHS), 2014/30/EU, 2006/42/EG und den folgenden harmonisierten normativen Dokumenten übereinstimmt:

EN 60745-1:2009 + A11:2010
EN 60745-2-22:2011 + A11:2013
EN 55014-1:2017
EN 55014-2:2015
EN 61000-3-2:2014
EN 61000-3-3:2013
EN 50581:2012

Winnenden, 2018-02-26



Alexander Krug
Managing Director



Bevollmächtigt die technischen Unterlagen zusammenzustellen

Techtronic Industries GmbH
Max-Eyth-Straße 10
71364 Winnenden
Germany

ARBEITSHINWEISE

Die Elektronik regelt die Drehzahl bei steigender Belastung nach.

Bei längerer Überlastung schaltet die Elektronik auf reduzierte Drehzahl. Die Maschine läuft langsam weiter zum Kühlen der Motorwicklung. Nach Aus- und Wiedereinschalten kann mit der Maschine im Nennlastbereich weitergearbeitet werden.

Unter Einwirkung extremer elektromagnetischer Störungen von außen, können im Einzelfall vorübergehende Drehzahlschwankungen auftreten.

Stumpfe Diamanttrennscheiben (erkennbar durch starken Funkenflug während des Arbeitens) durch mehrere Schnitte in Kalksandstein oder einem speziellen Schärfstein nachschärfen.

Die Trennscheiben werden beim Arbeiten sehr heiß; nicht anfassen bevor sie abgekühlt sind.

WARTUNG

Stets die Lüftungsschlitze der Maschine sauber halten.

Nur Milwaukee Zubehör und Ersatzteile verwenden. Bauteile, deren Austausch nicht beschrieben wurde, bei einer Milwaukee Kundendienststelle auswechseln lassen (Broschüre Garantie/Kundendienstadressen beachten).

Bei Bedarf kann eine Explosionszeichnung des Gerätes unter Angabe der Maschinen Type und der sechsstelligen Nummer auf dem Leistungsschild bei Ihrer Kundendienststelle oder direkt bei Techtronic Industries GmbH, Max-Eyth-Straße 10, 71364 Winnenden, Germany angefordert werden.

SYMBOLE



ACHTUNG! WARNUNG! GEFAHR!



Vor allen Arbeiten an der Maschine Stecker aus der Steckdose ziehen.



Bitte lesen Sie die Gebrauchsanweisung vor Inbetriebnahme sorgfältig durch.



Beim Arbeiten mit der Maschine stets Schutzbrille tragen.



Gehörschutz tragen!



Als Atemschutz mindestens eine Partikel filterierende Halbmaske der Klasse FFP2 verwenden.



Schutzhandschuhe tragen



Zubehör - Im Lieferumfang nicht enthalten, empfohlene Ergänzung aus dem Zubehörprogramm.



Elektrogeräte dürfen nicht zusammen mit dem Hausmüll entsorgt werden. Elektrische und elektronische Geräte sind getrennt zu sammeln und zur umweltgerechten Entsorgung bei einem Verwertungsbetrieb abzugeben. Erkundigen Sie sich bei den örtlichen Behörden oder bei Ihrem Fachhändler nach Recyclinghöfen und Sammelstellen.



Elektrowerkzeug der Schutzklasse II. Elektrowerkzeug, bei dem der Schutz vor einem elektrischen Schlag nicht nur von der Basisisolierung abhängt, sondern auch davon, dass zusätzliche Schutzmaßnahmen, wie doppelte Isolierung oder verstärkte Isolierung, angewendet werden. Es gibt keine Vorrichtung zum Anschluss eines Schutzleiters.



CE-Zeichen



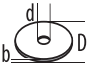
Regulatory Compliance Mark (RCM). Das Produkt erfüllt die geltenden Vorschriften.



Nationales Konformitätszeichen Ukraine



EurAsian Konformitätszeichen.

Caractéristiques techniques	WCS 45
Rainureuses Murales	
Numéro de série	4632 81 03... 3930 04 04... ...000001-999999
Puissance nominale de réception	1900 W
Vitesse de rotation nominale	6200 min ⁻¹
D=ø max. de la meule diamantée d=ø de perçage	150 mm 22,2 mm
 b=Épaisseur disque de coupe min. / max.	2,4 / 2,6 mm
Profondeur de coupe	0-45 mm
Largeur de coupe	17-45 mm
Poids suivant EPTA-Procédure 01/2014	6,6 kg
Informations sur le bruit et les vibrations Valeurs de mesure obtenues conformément à la EN 60 745. Les mesures réelles (A) des niveaux acoustiques de l'appareil sont :	
Niveau de pression acoustique (Incertitude K=3dB(A))	99 dB(A)
Niveau d'intensité acoustique (Incertitude K=3dB(A))	110 dB(A)
Toujours porter une protection acoustique! Valeurs totales des vibrations (somme vectorielle de trois sens) établies conformément à EN 60745.	
Valeur d'émission vibratoire a _n	6,5 m/s ²
Incertitude K=	1,5 m/s ²

AVERTISSEMENT

Le niveau vibratoire indiqué dans ces instructions a été mesuré selon un procédé de mesure normalisé dans la norme EN 60745 et peut être utilisé pour comparer des outils électriques entre eux. Il convient aussi à une estimation provisoire de la sollicitation par les vibrations.

Le niveau vibratoire indiqué représente les applications principales de l'outil électrique. Toutefois, si l'outil électrique est utilisé pour d'autres applications, avec des outils rapportés qui diffèrent ou une maintenance insuffisante, il se peut que le niveau vibratoire diverge. Cela peut augmenter nettement la sollicitation par les vibrations sur tout l'intervalle de temps du travail.

Pour une estimation précise de la sollicitation par les vibrations, on devrait également tenir compte des temps pendant lesquels l'appareil n'est pas en marche ou tourne sans être réellement en service. Cela peut réduire nettement la sollicitation par les vibrations sur tout l'intervalle de temps du travail.

Définissez des mesures de sécurité supplémentaires pour protéger l'utilisateur contre l'influence des vibrations, comme par exemple : la maintenance de l'outil électrique et des outils rapportés, le maintien au chaud des mains, l'organisation des déroulements de travail.

⚠️ AVIS! Lire complètement les instructions et les indications de sécurité. Le non-respect des avertissements et instructions indiqués ci après peut entraîner un choc électrique, un incendie et/ou de graves blessures sur les personnes.

Bien garder tous les avertissements et instructions.

⚠️ INDICATIONS DE SÉCURITÉ CONCERNANT LES TRONÇONNEUSES

a) Le capot de protection du dispositif électrique doit être fixé d'une façon sûre et il doit être réglé en vue de garantir une sécurité max., c'est-à-dire que la portion de la meule abrasive exposée sans protection vers l'opérateur doit être minimale. L'opérateur et les personnes près de lui ne doivent pas se trouver dans le même plan du disque polisseur. Le capot de protection a le but de protéger l'opérateur des fragments et du contact inattendu avec la meule abrasive.

b) Avec le dispositif électrique n'employer que des disques polisseurs renforcés liés ou revêtus en diamant. La simple possibilité de fixation d'un certain accessoire sur le dispositif électrique ne garantit pas son utilisation en toute sécurité.

c) La vitesse assignée de l'accessoire doit être au moins égale à la vitesse maximale indiquée sur l'outil électrique. Les accessoires fonctionnant plus vite que leur vitesse assignée peuvent se rompre et voler en éclat.

d) Les meules doivent être utilisées uniquement pour les applications recommandées. Par exemple : ne

pas meuler avec le côté de la meule à tronçonner. Les meules à tronçonner abrasives sont destinées au meulage périphérique, l'application de forces latérales à ces meules peut les briser en éclats.

e) Utilisez toujours des brides de serrage non détériorées, de la bonne taille, adaptée à la meule que vous avez choisie. Les brides adaptées permettent de protéger la meule et réduisent ainsi le risque de rupture de la meule.

f) Ne pas utiliser de meules usées d'outils électriques plus grands. La meule destinée à un outil électrique plus grand n'est pas appropriée pour la vitesse plus élevée d'un outil plus petit et elle peut éclater.

g) Le diamètre extérieur et l'épaisseur des outils utilisés doivent correspondre aux cotes de l'outil électrique. Les outils dont la mesure a été effectuée de manière erronée ne peuvent pas être suffisamment blindés ou contrôlés.

h) Les disques polisseurs et les brides doivent avoir exactement la même mesure du dispositif électro-nique. Les accessoires n'ayant pas la même mesure de l'outil de serrage du dispositif électrique tourneront d'une manière déséquilibrée, vibreront d'une manière excessive et ils pourront provoquer la perte de contrôle.

i) Ne pas utiliser des disques polisseurs endommagés. Avant chaque utilisation contrôler la présence sur les disques polisseurs d'ébrèchements et de criques. En cas de chute du dispositif électrique ou du disque polisseur, contrôler la présence de dommages

ou utiliser un disque polisseur intact. Après avoir contrôlé et monté un disque polisseur, assurez-vous que tant l'opérateur que les autres personnes près de lui ne se trouvent pas dans le même plan du disque polisseur tournant et faire tourner le dispositif pour une minute au nombre max. de tours. Les disques polisseurs endommagés se cassent d'habitude durant cette période d'essai.

j) Porter un équipement de protection individuelle. En fonction de l'application, utiliser un écran facial, des lunettes de sécurité ou des verres de sécurité. Le cas échéant, utiliser un masque antipoussières, des protections auditives, des gants et un tablier capables d'arrêter les petits fragments abrasifs ou des pièces à usiner. La protection oculaire doit être capable d'arrêter les débris volants produits par les diverses opérations. Le masque antipoussières ou le respirateur doit être capable de filtrer les particules produites par vos travaux. L'exposition prolongée aux bruits de forte intensité peut provoquer une perte de l'audition.

k) Veillez à ce que les personnes tierces respectent une distance sûre par rapport à votre périmètre de travail. Toute personne qui pénètre dans le périmètre de travail doit porter des équipements de protection individuelle. Des fragments de la pièce usinée et d'outils rapportés brisés sont susceptibles de s'envoler et de provoquer des blessures mêmes en dehors du périmètre direct de travail.

l) Maintenez l'appareil par les surfaces de poignée isolées lorsque vous exécutez des travaux pendant lesquels l'outil de coupe peut toucher des lignes électriques dissimulées ou le propre câble. Le contact de l'outil de coupe avec un câble qui conduit la tension peut mettre les pièces métalliques de l'appareil sous tension et mener à une décharge électrique.

m) Placer le câble éloigné de l'accessoire de rotation. Si vous perdez le contrôle, le câble peut être coupé ou subir un accroç et votre main ou votre bras peut être tiré dans l'accessoire de rotation.

n) Ne jamais poser l'appareil électrique avant que l'outil rapporté soit entièrement à l'arrêt. L'outil rapporté en rotation est susceptible d'entrer en contact avec la surface de dépôt, ce qui risquerait de vous faire perdre le contrôle de l'appareil électrique.

o) Ne pas faire fonctionner l'outil électrique en le portant sur le côté. Un contact accidentel avec l'accessoire de rotation pourrait accrocher vos vêtements et attirer l'accessoire sur vous.

p) Nettoyer régulièrement les orifices d'aération de l'outil électrique. Le ventilateur du moteur attirera la poussière à l'intérieur du boîtier et une accumulation excessive de poudre de métal peut provoquer des dangers électriques.

q) Ne pas utiliser l'outil électrique à proximité de matériaux inflammables. Des étincelles sont susceptibles d'enflammer ces matériaux.

r) Ne pas utiliser d'outils rapportés qui nécessitent des agents réfrigérants liquides. L'utilisation d'eau ou d'autres agents réfrigérants liquides risque de provoquer une électrocution.

Ulérieures consignes de sécurité concernant les tronçonneuses

Contrecoup et consignes de sécurité correspondantes

D'éventuelles contrecoups sont des réactions soudaines causés par des disques polisseurs qui se coincent ou se bloquent pendant leur rotation. D'éventuels coincements ou blocages comportent l'arrêt subit de l'outil. De cette façon un dispositif électrique non contrôlé est accéléré, sur le point de blocage, dans la direction opposée à celle de l'outil.

Par exemple, si une meule abrasive est accrochée ou pincée par la pièce à usiner, le bord de la meule qui entre dans le point de pincement peut creuser la surface du matériau, provoquant des sauts ou l'expulsion de la meule. La meule peut sauter en direction de l'opérateur ou encore en s'en éloignant, selon le sens du mouvement de la meule au point de pincement. Les meules abrasives peuvent également se rompre dans ces conditions.

Le rebond résulte d'un mauvais usage de l'outil et/ou de procédures ou de conditions de fonctionnement incorrectes et peut être évité en prenant les précautions appropriées spécifiées cidessous.

a) Maintenir fermement l'outil électrique et placer votre corps et vos bras pour vous permettre de résister aux forces de rebond. Toujours utiliser une poignée auxiliaire, le cas échéant, pour une maîtrise maximale du rebond ou de la réaction de couple au cours du démarrage. L'opérateur peut maîtriser les couples de réaction ou les forces de rebond, si les précautions qui s'imposent sont prises.

b) Ne jamais placer votre main à proximité de l'accessoire en rotation. L'accessoire peut effectuer un rebond sur votre main.

c) Éviter de stationner devant ou derrière le disque polisseur tournant. Lorsque un contrecoup se produit, le dispositif électrique est poussé dans la direction opposée à celle du mouvement du disque polisseur sur le point de blocage.

d) Apporter un soin particulier lors de travaux dans les coins, les arêtes vives etc. Éviter les rebondissements et les accrochages de l'accessoire. Les coins, les arêtes vives ou les rebondissements ont tendance à accrocher l'accessoire en rotation et à provoquer une perte de contrôle ou un rebond.

e) N'utiliser ni lames à chaîne ou à dents, ni lames en diamant segmentées avec fentes dépassant les 10 mm. de largeur. Les types d'outils susdits causent fréquemment d'effets de contrecoup ou la perte de contrôle sur le dispositif électrique.

f) Ne pas « coincer » la meule à tronçonner ou ne pas appliquer une pression excessive. Ne pas tenter d'exécuter une profondeur de coupe excessive. Une contrainte excessive de la meule augmente la charge et la probabilité de torsion ou de blocage de la meule dans la coupe et la possibilité de rebond ou de rupture de la meule.

g) Lorsque la meule se bloque ou lorsque la coupe est interrompue pour une raison quelconque, mettre l'outil électrique hors tension et tenir l'outil électrique immobile jusqu'à ce que la meule soit à l'arrêt complet. Ne jamais tenter d'enlever la meule à tronçonner de la coupe tandis que la meule est en mouvement sinon le rebond peut se produire. Rechercher et prendre des mesures correctives afin d'empêcher que la meule ne se grippe.

h) Ne pas reprendre l'opération de coupe dans la pièce à usiner. Laisser la meule atteindre sa pleine vitesse et rentrer avec précaution dans le tronçon. La meule peut se coincer, venir chevaucher la pièce à usiner ou effectuer un rebond si l'on fait redémarrer l'outil électrique dans la pièce à usiner.

i) Prévoir un support de panneaux ou de toute pièce à usiner surdimensionnée pour réduire le risque de pincement et de rebond de la meule. Les grandes pièces à usiner ont tendance à fléchir sous leur propre poids. Les supports doivent être placés sous la pièce à usiner près de la ligne de coupe et près du bord de la pièce des deux côtés de la meule.

j) Soyez particulièrement prudent lorsque vous faites une « coupe en retrait » dans des parois existantes ou dans d'autres zones sans visibilité. La meule saillante peut couper des tuyaux de gaz ou d'eau, des câblages

électriques ou des objets, ce qui peut entraîner des rebonds.

SYSTÈME DE TRAVAIL RAINUREUSE MURALE - ASPIRATEUR

N'utiliser la rainureuse murale qu'avec des aspirateurs de la classe de poussières M. D'autres combinaisons pourraient comporter une capture et une élimination des poussières moins efficaces.

Respecter les consignes d'utilisation, d'entretien et de nettoyage de l'aspirateur, y compris les filtres. Lorsque les réservoirs de réception des poussières sont pleins, les vider immédiatement.

Employer exclusivement le tuyau d'aspiration prévu. Ne pas modifier le tuyau d'aspiration. En cas d'entrée de morceaux de pierres dans le tuyau d'aspiration, interrompre immédiatement le travail et nettoyer le tuyau d'aspiration. Éviter tout pliage aigu du tuyau d'aspiration.

Nettoyer régulièrement les filtres et les remplacer ; ne pas enlever les filtres / des composants du filtre.

Choisir la rainureuse murale et les disques de coupe appropriés suivant la surface à travailler. Le fabricant offre plusieurs disques de coupe suivant la surface.

Utiliser exclusivement des disques de coupe avec couche en diamant. Les disques diamantés segmentés doivent avoir exclusivement un angle de coupe négatif avec des entailles max. de 10 mm entre les segments.

Remplacer et/ou affûter en temps utile les disques de coupe. En cas de réduction de l'efficacité de coupe, vérifier si les disques de coupe sont usés et s'ils doivent être remplacés ou affûtés.

Commencer et continuer la séquence de travail en suivant ce qu'on a décrit dans le guide d'utilisation.

POSTE DE TRAVAIL

S'assurer du respect des exigences générales concernant les postes de travail dans les chantiers (éclairage suffisant, protection contre les risques de chute, etc.). Respecter les consignes de sécurité.

S'assurer une bonne aération.

Maintenir la station de travail libre d'obstacles. En travaillant sur des rainures relativement longues, l'aspirateur doit se déplacer librement avec le dispositif ou il doit être déplacé en temps utile en suivant le dispositif.

ORGANISATION DU TRAVAIL

Utiliser une protection auditive et de lunettes de protection, une protection respiratoire et éventuellement de gants. La protection respiratoire doit prévoir au moins une semi-masque filtrante pour particules de classe FFP2.

Pour nettoyer le poste de travail utiliser l'aspirateur. Ne pas utiliser des balais pour ne pas soulever les poussières déposées au sol.

TRANSPORT, MANUTENTION, STOCKAGE

Les disques de coupe diamantés sont à manutentionner et à transporter avec soin. Utiliser possiblement le conditionnement original ou un autre emballage approprié.

Les disques doivent être stockés dans un endroit sec et d'une façon telle qu'ils ne soient pas exposés à des endommagements mécaniques.

Protéger les disques de coupe des chocs, coups et facteurs ambiants dangereux.

BRANCHEMENT SECTEUR

Raccorder uniquement à un courant électrique monophasé et uniquement à la tension secteur indiquée sur la plaque signalétique. Le raccordement à des prises de courant sans contact de protection est également possible car la classe de protection II est donnée.

UTILISATION CONFORME AUX PRESCRIPTIONS

La rainureuse fraiseuse travaille avec deux disques de tronçonnage diamantés alignés parallèlement pour couper dans toutes sortes de maçonnerie des rainures de mur destinées à la pose de conduites et câbles.

Comme déjà indiqué, cette machine n'est conçue que pour être utilisée conformément aux prescriptions.

Les prises de courant se trouvant à l'extérieur doivent être équipées de disjoncteurs différentiel (FI, RCD, PRCD) conformément aux prescriptions de mise en place de votre installation électrique. Veuillez en tenir compte lors de l'utilisation de notre appareil.

DECLARATION CE DE CONFORMITE

Nous déclarons sous notre seule responsabilité que le produit décrit sous « Caractéristiques techniques » concorde avec toutes les consignes pertinentes de la directive 2011/65 EU (RoHS), 2014/30/UE, 2006/42/CE et les documents normatifs harmonisés suivants :

EN 60745-1:2009 + A11:2010
EN 60745-2-22:2011 + A11:2013
EN 55014-1:2017
EN 55014-2:2015
EN 61000-3-2:2014
EN 61000-3-3:2013
EN 50581:2012

Winnenden, 2018-02-26



Alexander Krug
Managing Director



Autorisé à compiler la documentation technique.

Techtronic Industries GmbH
Max-Eyth-Straße 10
71364 Winnenden
Germany

CONSEILS PRATIQUES

En cas de surcharge du moteur, la machine s'arrête automatiquement. Une fois la machine refroidie, appuyer sur le bouton de surcharge et remettre la machine en marche. En cas de déclenchement fréquent de la protection de surcharge, réduire la pression de coupe ou la profondeur de coupe.

Le réglage sans à-coups de la largeur de coupe vous offre la possibilité, une fois la largeur de coupe réglée avec précision, de placer de façon exacte des tuyaux par exemple dans la rainure sans avoir besoin de les maintenir par des clous ou autres.

Réaffûter les disques de tronçonnage diamantés émoussés (reconnaissables à la projection d'étincelles importante durant le travail) en effectuant plusieurs coupes dans une brique de grès calcaire ou au moyen d'une pierre à aiguiser spéciale).

Les disques de tronçonnage chauffent énormément durant le travail; ne pas les toucher avant qu'ils ne soient refroidis.

ENTRETIEN

Tenir toujours propres les orifices de ventilation de la machine.

N'utiliser que des pièces et accessoires Milwaukee. Pour des pièces dont l'échange n'est pas décrit, s'adresser de préférence à une station de service après-vente Milwaukee (voir brochure Garantie/Adresses des stations de service après-vente).

En cas de besoin il est possible de demander un dessin éclaté du dispositif en indiquant le modèle de la machine et le numéro de six chiffres imprimé sur la plaquette de puissance et en s'adressant au centre d'assistance technique ou directement à Techtronic Industries GmbH, Max-Eyth-Straße 10, 71364 Winnenden, Germany.

SYMBOLS



ATTENTION! AVERTISSEMENT! DANGER!



Avant tous travaux sur la machine extraire la fiche de la prise de courant.



Veuillez lire avec soin le mode d'emploi avant la mise en service



Toujours porter des lunettes protectrices en travaillant avec la machine.



Toujours porter une protection acoustique!



Utiliser comme protection respiratoire au moins un demi-masque de la classe FFP2 qui filtre des particules.



Porter des gants de protection!



Accessoires - Ces pièces ne font pas partie de la livraison. Il s'agit là de compléments recommandés pour votre machine et énumérés dans le catalogue des accessoires.



Les dispositifs électriques ne sont pas à éliminer dans les déchets ménagers. Les dispositifs électriques et électroniques sont à collecter séparément et à remettre à un centre de recyclage en vue de leur élimination dans le respect de l'environnement. S'adresser aux autorités locales ou au détaillant spécialisé en vue de connaître l'emplacement des centres de recyclage et des points de collecte.



Outil électrique en classe de protection II. Outil électrique équipé d'une protection contre la fulguration électrique qui ne dépend seulement de l'isolation de base mais aussi de l'application d'autres mesures de protection telles qu'une double isolation ou une isolation augmentée. La connexion d'un conducteur de protection n'est pas prédisposée.



Marque CE



Regulatory Compliance Mark (RCM). Le produit est conforme aux prescriptions en vigueur.

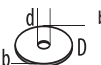


Symbole national de conformité Ukraine

TR 066



Marque de qualité EurAsian

Dati tecnici	WCS 45
Fresatrice da muro	
Numero di serie	4632 81 03... 3930 04 04... ...000001-999999
Potenza assorbita nominale	1900 W
Numero giri nominale	6200 min ⁻¹
D=max. ø disco troncante diamantate d=diam. Foro	150 mm 22,2 mm
 b=Spessore disco di taglio min. / max.	2,4 / 2,6 mm
Massima profondità di taglio	0-45 mm
Larghezza di taglio	17-45 mm
Peso secondo la procedura EPTA 01/2014	6,6 kg
Informazioni sulla rumorosità/sulle vibrazioni Valori misurati conformemente alla norma EN 60 745. La misurazione A del livello di pressione acustica dell'utensile è di solito di:	
Livello di rumorosità (Incertezza della misura K=3dB(A)) Potenza della rumorosità (Incertezza della misura K=3dB(A))	99 dB(A) 110 dB(A)
Utilizzare le protezioni per l'udito! Valori totali delle oscillazioni (somma di vettori in tre direzionmisurati conformemente alla norma EN 60745 Valore di emissione dell'oscillazione a _h Incertezza della misura K=	6,5 m/s ² 1,5 m/s ²

AVVERTENZA

Il livello di vibrazioni indicato nelle presenti istruzioni è stato misurato in conformità con un procedimento di misurazione codificato nella EN 60745 e può essere utilizzato per un confronto tra attrezzi elettrici. Inoltre si può anche utilizzare per una valutazione preliminare della sollecitazione da vibrazioni.

Il livello di vibrazioni indicato rappresenta le applicazioni principali dell'attrezzo elettrico. Se viceversa si utilizza l'attrezzo elettrico per altri scopi, con accessori differenti o con una manutenzione insufficiente, il livello di vibrazioni può risultare diverso. E questo può aumentare decisamente la sollecitazione da vibrazioni lungo l'intero periodo di lavorazione.

Ai fini di una valutazione precisa della sollecitazione da vibrazioni si dovrebbero tenere presente anche i periodi in cui l'apparecchio rimane spento oppure, anche se acceso, non viene effettivamente utilizzato. Ciò può ridurre notevolmente la sollecitazione da vibrazioni lungo l'intero periodo di lavorazione.

Stabilite misure di sicurezza supplementari per la tutela dell'operatore dall'effetto delle vibrazioni, come ad esempio: manutenzione dell'attrezzo elettrico e degli accessori, riscaldamento delle mani, organizzazione dei processi di lavoro.

AVVERTENZA! Leggere tutte le istruzioni ed indicazioni di sicurezza. In caso di mancato rispetto delle avvertenze di pericolo e delle istruzioni operative si potrà creare il pericolo di scosse elettriche, incendi e/o incidenti gravi.

Conservare tutte le avvertenze di pericolo e le istruzioni operative per ogni esigenza futura.

INDICAZIONI DI SICUREZZA PER TRONCATRICI

a) La cuffia di protezione facente parte del dispositivo elettrico deve essere fissata in sicurezza e deve essere regolata in maniera tale da garantire la massima sicurezza, cioè la parte della mola abrasiva esposta senza protezione verso l'operatore deve essere minima. L'operatore e le persone presenti nelle vicinanze non devono trovarsi nello stesso piano del disco levigatore. La cuffia di protezione ha lo scopo di proteggere l'operatore da frammenti e da contatto inavvertito con la mola abrasiva.

b) Usare con il dispositivo elettrico esclusivamente dischi levigatori rinforzati legati o con rivestimento di diamante. Il semplice fatto che sia possibile fissare un determinato accessorio sul dispositivo elettrico non garantisce il suo uso in sicurezza.

c) Il numero di giri ammesso dell'accessorio impiegato deve essere almeno tanto alto quanto il numero massimo di giri riportato sull'elettrotensile. Un

accessorio che gira più rapidamente di quanto consentito può rompersi in vari pezzi e venir lanciato intorno.

d) Utensili abrasivi possono essere utilizzati esclusivamente per le possibilità applicative esplicitamente raccomandate. P. es.: Mai eseguire lavori di levigatura con la superficie laterale di un disco abrasivo da taglio diritto. Mole abrasive da taglio diritto sono previste per l'asportazione di materiale con il bordo del disco. Esercitando dei carichi laterali su questi utensili abrasivi vi è il pericolo di romperli.

e) Utilizzare sempre flange di serraggio in condizioni perfette e di dimensioni adeguate al disco troncante scelto. La flangia corretta supporta il disco troncante, riducendo il pericolo di una rottura del disco troncante.

f) Non utilizzare mai mole abrasive usurate previste per elettrotensili più grandi. Mole abrasive previste per elettrotensili più grandi non sono concepite per le maggiori velocità di elettrotensili più piccoli e possono rompersi.

g) Diametro esterno e spessore dell'utensile utilizzato devono corrispondere alle indicazioni delle misure dell'utensile elettrico. Utensili dimensionati in maniera errata potrebbero essere non sufficientemente schermate oppure controllate.

h) I dischi levigatori e le flange devono essere esattamente della stessa misura del dispositivo elettrico. Gli accessori che non siano esattamente della stessa misura dell'attrezzo di serraggio del dispositivo elettrico gireranno

in maniera sbilanciata, vibreranno in maniera eccessiva e potranno causare la perdita di controllo.

i) Non usare dischi levigatori blocceggiati. Prima di ogni uso, controllare se sui dischi levigatori sono presenti scheggiature e incrinature. Qualora il dispositivo elettrico o il disco levigatore dovesse cadere, verificare se sono presenti danni o utilizzare un disco levigatore integro. Dopo avere controllato ed inserito un disco levigatore, fare attenzione affinché sia l'operatore che le altre persone nelle vicinanze non si trovino nello stesso piano del disco levigatore rotante e fare girare il dispositivo per un minuto al massimo numero di giri. Dischi levigatori danneggiati si rompono prevalentemente durante tale periodo di test.

j) Indossare abbigliamento di protezione. A seconda dell'applicazione in corso utilizzare una visiera completa, maschera di protezione per gli occhi oppure occhiali di sicurezza. Per quanto necessario, portare maschere per polveri, protezione acustica, guanti di protezione oppure un grembiule speciale in grado di proteggervi da piccole particelle di levigatura o di materiale. Gli occhi dovrebbero essere protetti da corpi estranei espulsi in aria nel corso di diverse applicazioni. La maschera antipolvere e la maschera respiratoria devono essere in grado di filtrare la polvere provocata durante l'applicazione. Esponendosi per lungo tempo ad un rumore troppo forte vi è il pericolo di perdere l'udito.

k) Prestare attenzione che le altre persone rispettino le distanze di sicurezza dalla zona di lavoro. Chi entra nella zona di lavoro deve indossare i dispositivi di protezione individuali. Eventuale particelle rotte del pezzo da lavorare oppure utensili rotti possono saltare via e causare ferite anche all'esterno della zona diretta del lavoro.

l) Impugnare l'apparecchio sulle superfici di tenuta isolate mentre si eseguono lavori durante i quali l'utensile da taglio potrebbe entrare in contatto con cavi di corrente o con il proprio cavo d'alimentazione. L'eventuale contatto dell'utensile da taglio con un cavo sotto tensione potrebbe mettere sotto tensione le parti metalliche dell'apparecchio e provocare una folgorazione.

m) Tenere il cavo di collegamento elettrico sempre lontano da portautensili o accessori in rotazione. Se si perde il controllo sull'elettrotensile vi è il pericolo di trancare o di colpire il cavo di collegamento elettrico e la Vostra mano o braccio può arrivare a toccare il portautensili o accessorio in rotazione.

n) Non depositare mai l'utensile elettrico, prima che questo non si sia fermato completamente. Utensili rotanti possono venire in contatto con la superficie d'appoggio, causando la perdita del controllo sull'utensile.

o) Mai trasportare l'elettrotensile mentre questo dovesse essere ancora in funzione. Attraverso un contatto casuale l'utensile in rotazione potrebbe fare presa sugli indumenti oppure sui capelli dell'operatore e potrebbe arrivare a ferire seriamente il corpo dell'operatore.

p) Pulire regolarmente le feritoie di ventilazione dell'elettrotensile in dotazione. Il ventilatore del motore attira polvere nella carcassa ed una forte raccolta di polvere di metallo può provocare pericoli di origine elettrica.

q) Mai utilizzare l'utensile elettrico nelle vicinanze di materiali infiammabili, in quanto scintille potrebbero incendiare il materiale.

r) Non utilizzare mai utensili elettrici che richiedono refrigeranti liquidi. L'uso di acqua od altri refrigeranti liquidi possono causare scosse elettriche.

Ulteriori indicazioni di sicurezza per troncatrici

Contraccolpo e avvertenze sulla sicurezza in merito

Eventuali contraccolpi sono reazioni improvvise causate da dischi levigatori che si inceppano o si bloccano mentre sono in rotazione. Eventuali inceppamenti o bloccaggi

comportano l'arresto improvviso dell'utensile ad inserto. In questa maniera un dispositivo elettrico non controllato viene accelerato, sul punto di bloccaggio, nella direzione opposta a quella dell'utensile ad inserto.

Se p. es. un disco abrasivo resta agganciato o bloccato nel pezzo in lavorazione, il bordo del disco abrasivo che si abbassa nel pezzo in lavorazione può rimanere impigliato provocando in questo modo una rottura oppure un contraccolpo del disco abrasivo. Il disco abrasivo si avvicina o si allontana dall'operatore a seconda della direzione di rotazione che ha nel momento in cui si blocca. In tali situazioni è possibile che le mole abrasive possano anche rompersi.

Un contraccolpo è la conseguenza di un utilizzo non appropriato oppure non corretto dell'elettrotensile. Esso può essere evitato soltanto prendendo misure adatte di sicurezza come dalla descrizione che segue.

a) Tenere sempre ben saldo l'elettrotensile e portare il proprio corpo e le proprie braccia in una posizione che Vi permetta di compensare le forze di contraccolpo. Se disponibile, utilizzare sempre l'impugnatura supplementare in modo da poter avere sempre il maggior controllo possibile su forze di contraccolpi oppure momenti di reazione che si sviluppano durante la fase in cui la macchina raggiunge il regime di pieno carico. Prendendo appropriate misure di precauzione l'operatore può essere in grado di tenere sotto controllo le forze di contraccolpo e quelle di reazione a scatti.

b) Mai avvicinare la propria mano alla zona degli utensili in rotazione. Nel corso dell'azione di contraccolpo il portautensili o accessorio potrebbe passare sulla Vostra mano.

c) Evitare di sostare davanti o dietro il disco levigatore rotante. Quando si verifica un contraccolpo, il dispositivo elettrico viene spinto nella direzione opposta a quella del movimento del disco levigatore sul punto di bloccaggio.

d) Operare con particolare attenzione in prossimità di spigoli, spigoli taglienti ecc.. Avere cura di impedire che portautensili o accessori possano rimbalzare dal pezzo in lavorazione oppure possano rimanervi bloccati. L'utensile in rotazione ha la tendenza a rimanere bloccato in angoli, spigoli taglienti oppure in caso di rimbalzo. Ciò provoca una perdita del controllo oppure un contraccolpo.

e) Non usare né lame a catena o a denti, né lame di diamante segmentate con intagli di larghezza superiore a 10 mm. I suddetti tipi di utensili ad inserto causano di frequente effetti di contraccolpo o la perdita del controllo sul dispositivo elettrico.

f) Evitare di far bloccare il disco abrasivo da taglio diritto oppure di esercitare una pressione troppo alta. Non eseguire tagli eccessivamente profondi. Sottoponendo la mola da taglio diritto a carico eccessivo se ne aumenta la sollecitazione e la si rende maggiormente soggetta ad angolature improprie o a blocchi venendo così a creare il pericolo di contraccolpo oppure di rottura dell'utensile abrasivo.

g) Qualora il disco abrasivo da taglio diritto dovesse incepparsi oppure si dovesse interrompere il lavoro, spegnere l'elettrotensile e tenerlo fermo fino a quando il disco si sarà fermato completamente. Non tentare mai di estrarre il disco abrasivo dal taglio in esecuzione perché si potrebbe provocare un contraccolpo. Rilevare ed eliminare la causa per il blocco.

h) Mai rimettere l'elettrotensile in funzione fintanto che esso si trovi ancora nel pezzo in lavorazione. Prima di continuare ad eseguire il taglio procedendo con la dovuta attenzione, attendere che il disco abrasivo da taglio diritto abbia raggiunto la massima velocità. In caso contrario è possibile che il disco resti agganciato, sbalzi dal pezzo in lavorazione oppure provochi un contraccolpo.

i) Dotare di un supporto adatto pannelli oppure pezzi in lavorazione di dimensioni maggiori in modo da ridurre il rischio di un contraccolpo dovuto ad un disco abrasivo da taglio diritto che rimane bloccato. Pezzi in lavorazione di dimensioni maggiori possono piegarsi sotto l'effetto del proprio peso. Provvedere a munire il pezzo in lavorazione di supporti adatti al caso specifico sia nelle vicinanze del taglio di troncatura che in quelle del bordo.

j) Operare con particolare attenzione in caso di «tagli dal centro» da eseguire in pareti già esistenti oppure in altre parti non visibili. Il disco abrasivo da taglio diritto che inizia il taglio sul materiale può provocare un contraccolpo se dovesse arrivare a troncature condutture del gas o dell'acqua, linee elettriche oppure oggetti di altro tipo.

SISTEMA DI LAVORO FRESATRICE DA MURO - ASPIRATORE

Usare la fresatrice da muro solo con aspiratori della classe di polveri M. Altre combinazioni potrebbero comportare una cattura ed eliminazione meno efficiente della polvere.

Rispettare le istruzioni riguardanti l'uso, la manutenzione e la pulizia dell'aspiratore, filtri compresi. Quando i contenitori di raccolta polvere sono pieni, svuotarli immediatamente.

Usare esclusivamente il tubo di aspirazione previsto. Non manomettere il tubo di aspirazione. Se all'interno del tubo di aspirazione entrano pezzi di pietra, interrompere immediatamente il lavoro e pulire il tubo di aspirazione. Evitare ogni piegatura acuta del tubo di aspirazione.

Pulire regolarmente i filtri e sostituirli; non togliere filtri/componenti del filtro.

Scegliere la fresatrice da muro ed i dischi da taglio idonei al sostrato. Il produttore offre diversi dischi da taglio a seconda del sostrato.

Usare esclusivamente dischi da taglio con rivestimento di diamante. Dischi rivestiti di diamante segmentati devono avere esclusivamente un angolo da taglio negativo con intagli max. da 10 mm tra i segmenti.

Sostituire e/o affilare i dischi da taglio tempestivamente. In caso di riduzione dell'efficienza di taglio verificare se i dischi da taglio sono consumati e devono essere sostituiti o affilati.

Iniziare e continuare la sequenza di lavoro conformemente a quanto descritto nelle istruzioni per l'uso.

POSTO DI LAVORO

Accertarsi del rispetto dei requisiti generali per i posti di lavoro in cantieri (sufficiente illuminazione, protezione contro il rischio di caduta, ecc.). Rispettare le avvertenze di sicurezza.

Accertarsi di una buona aerazione.

Tenere il campo di lavoro libero da ostacoli. Lavorando su scanalature relativamente lunghe, l'aspiratore deve muoversi liberamente insieme al dispositivo o deve essere spostato tempestivamente a seguito.

ORGANIZZAZIONE DEL LAVORO

Indossare la protezione dell'udito e degli occhi, una protezione respiratoria ed eventualmente dei guanti. La protezione respiratoria deve prevedere almeno una semi-maschera filtrante per particelle della classe FFP2.

Per pulire il posto di lavoro usare l'aspiratore. Non usare scope per non sollevare polveri depositate.

TRASPORTO, MANIPOLAZIONE, IMMAGAZZINAGGIO

I dischi da taglio rivestiti di diamante devono essere manipolati e trasportati con cura. Usare possibilmente l'imballo originale o altro imballo idoneo.

I dischi devono essere immagazzinati in ambienti asciutti ed in maniera tale da non essere esposti a danneggiamento meccanico.

Proteggere i dischi da taglio da urti, colpi e fattori ambientali dannosi.

COLLEGAMENTO ALLA RETE

Connettere solo corrente alternata mono fase e solo al sistema di voltaggio indicato sulla piastra. E' possibile anche connettere la presa senza un contatto di messa a terra così come prevede lo schema conforme alle norme di sicurezza di classe II.

UTILIZZO CONFORME

Utilizzando due dischi paralleli, l'utensile consente di eseguire tracce per la collocazione di tubi e cavi (scanalature su costruzioni in muratura) su qualsiasi tipo di mattone.

Utilizzare il prodotto solo per l'uso per cui è previsto.

Gli apparecchi mobili usati all'aperto devono essere collegati interponendo un interruttore di sicurezza (FI, RCD, PRCD) per guasti di corrente.

DICHIARAZIONE DI CONFORMITÀ CE

Dichiariamo sotto la nostra esclusiva responsabilità che il prodotto descritto ai "Dati tecnici" corrisponde a tutte le disposizioni delle direttive 2011/65/EU (RoHS), 2014/30/UE, 2006/42/CE e successivi documenti normativi armonizzati:

EN 60745-1:2009 + A11:2010
EN 60745-2-22:2011 + A11:2013
EN 55014-1:2017
EN 55014-2:2015
EN 61000-3-2:2014
EN 61000-3-3:2013
EN 50581:2012

Winnenden, 2018-02-26



Alexander Krug
Managing Director



Autorizzato alla preparazione della documentazione tecnica
Techronic Industries GmbH
Max-Eyth-Straße 10
71364 Winnenden
Germany

ISTRUZIONI D'USO

L'utensile si spegne automaticamente in caso di sovraccarico del motore. Attendere che il motore si raffreddi, quindi premere il pulsante di sovraccarico e riaccendere l'utensile. Nel caso in cui la protezione da sovraccarico dovessero entrare in funzione spesso, diminuire la pressione o la profondità di taglio.

La larghezza di taglio variabile consente, se la larghezza della scanalatura è regolata accuratamente, di installare tubi senza assicurarli con staffe per prevenire la loro fuoriuscita.

Per riaffilare un disco usurato (riconoscibile per le scintille prodotte durante l'operazione di taglio) effettuare tagli su una piastra calcarea o su un'apposita piastra per affilare.

Le mole abrasive si surriscaldano durante le operazioni di lavoro; non toccarle con le mani fino a quando non si siano raffreddate completamente.

MANUTENZIONE

Tener sempre ben pulite le fessure di ventilazione dell'apparecchio.

Utilizzare esclusivamente accessori e pezzi di ricambio Milwaukee. L'installazione di pezzi di ricambio non specificamente prescritti dall'Milwaukee va preferibilmente effettuata dal servizio di assistenza clienti Milwaukee (ved. opuscolo Garanzia/Indirizzi Assistenza tecnica).

In caso di necessità è possibile richiedere un disegno esploso del dispositivo indicando il modello della macchina ed il numero a sei cifre sulla targa di potenza rivolgendosi al centro di assistenza tecnica o direttamente a Techronic Industries GmbH, Max-Eyth-Straße 10, 71364 Winnenden, Germany.

SIMBOLI



ATTENZIONE! AVVERTENZA! PERICOLO!



Prima di effettuare qualsiasi lavoro sulla macchina togliere la spina dalla presa di corrente.



Leggere attentamente le istruzioni per l'uso prima di mettere in funzione l'elettrotensile.



Durante l'uso dell'apparecchio utilizzare sempre gli occhiali di protezione.



Utilizzare le protezioni per l'udito!



Come protezione delle vie respiratorie, usare almeno una mascherina filtrante delle particelle della classe FFP2.



Indossare guanti protettivi!



Accessorio - Non incluso nella dotazione standard, disponibile a parte come accessorio.



I dispositivi elettrici non devono essere smaltiti con i rifiuti domestici. I dispositivi elettrici ed elettronici devono essere raccolti separatamente e devono essere conferiti ad un centro di riciclaggio per lo smaltimento rispettoso dell'ambiente. Chiedere alle autorità locali o al rivenditore specializzato dove si trovano i centri di riciclaggio e i punti di raccolta.



Utensile elettrico di classe di protezione II. Utensile elettrico sul quale la protezione contro la folgorazione elettrica non dipende soltanto dall'isolamento di base, ma anche dall'applicazione di ulteriori misure di protezione, come il doppio isolamento o l'isolamento maggiorato. Non è predisposto il collegamento di un conduttore di protezione.



Marchio CE



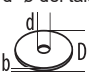
Regulatory Compliance Mark (RCM). Il prodotto soddisfa le prescrizioni in vigore.



Simbolo di conformità nazionale Ucraina



Marchio di conformità EurAsian

Datos técnicos	WCS 45
Acanaladora de muros	
Número de producción	4632 81 03... 3930 04 04... ...000001-999999
Potencia de salida nominal	1900 W
Revoluciones nominales	6200 min ⁻¹
D=Diámetro máximo de tronzado diamantado d=ø del taladro	150 mm 22,2 mm
 b=Espesor de la muela de tronzar mín. / máx.	2,4 / 2,6 mm
Profundidad de corte máx.	0-45 mm
Anchura de roza	17-45 mm
Peso de acuerdo con el procedimiento EPTA 01/2014	6,6 kg
Información sobre ruidos / vibraciones Determinación de los valores de medición según norma EN 60745. El nivel de ruido típico del aparato determinado con un filtro A corresponde a: Presión acústica (Tolerancia K=3dB(A)) Resonancia acústica (Tolerancia K=3dB(A)) Usar protectores auditivos! Nivel total de vibraciones (suma vectorial de tres direcciones) determinado según EN 60745. Valor de vibraciones generadas a _h Tolerancia K=	99 dB(A) 110 dB(A) 6,5 m/s ² 1,5 m/s ²

ADVERTENCIA

El nivel vibratorio indicado en estas instrucciones ha sido medido conforme a un método de medición estandarizado en la norma EN 60745, y puede utilizarse para la comparación entre herramientas eléctricas. También es apropiado para una estimación provisional de la carga de vibración.

El nivel vibratorio indicado representa las aplicaciones principales de la herramienta eléctrica. Si, pese a ello, se utiliza la herramienta eléctrica para otras aplicaciones, con útiles adaptables diferentes o con un mantenimiento insuficiente, el nivel vibratorio puede diferir. Esto puede incrementar sensiblemente la carga de vibración durante todo el periodo de trabajo.

Para una estimación exacta de la carga de vibración deberían tenerse en cuenta también los tiempos durante los que el aparato está apagado o, pese a estar en funcionamiento, no está siendo realmente utilizado. Esto puede reducir sustancialmente la carga de vibración durante todo el periodo de trabajo.

Adopte medidas de seguridad adicionales para la protección del operador frente al efecto de las vibraciones, como por ejemplo: mantenimiento de la herramienta eléctrica y de los útiles adaptables, mantener las manos calientes, organización de los procesos de trabajo.

⚠ ATENCIÓN: Lea atentamente las indicaciones e instrucciones de seguridad. En caso de no atenderse a las advertencias de peligro e instrucciones siguientes, ello puede ocasionar una descarga eléctrica, un incendio y/o lesión grave.

Guardar todas las advertencias de peligro e instrucciones para futuras consultas.

⚠ INSTRUCCIONES DE SEGURIDAD PARA TRONZADORAS A MUELA

a) La caperuza protectora perteneciente a la herramienta eléctrica deberá montarse firmemente y orientarse de tal modo que ofrezca una seguridad máxima, o sea, cubriendo al máximo la parte del útil a la que queda expuesta el usuario. Sitúese usted y las personas circundantes fuera del plano de rotación del disco. La caperuza protectora debe proteger al usuario de los fragmentos que puedan desprenderse del útil y del contacto accidental con el disco tronizador.

b) Utilice exclusivamente discos tronzadores sujetos y reforzados o diamantados en su herramienta eléctrica. El mero hecho de que el accesorio encaje en su herramienta eléctrica no garantiza un uso seguro.

c) Las revoluciones admisibles del útil deberán ser como mínimo iguales a las revoluciones máximas indicadas en la herramienta eléctrica. Aquellos accesorios que giren a unas revoluciones mayores a las admisibles pueden llegar a romperse y salir despedidos.

d) Solamente emplee el útil para aquellos trabajos para los que fue concebido. Por ejemplo, no emplee las caras de los discos tronzadores para amolar. En los útiles de tronzar, el arranque de material se lleva a cabo con los bordes del disco. Si estos útiles son sometidos a un esfuerzo lateral, ello puede provocar su rotura.

e) Para el disco de tronzado por usted seleccionado use siempre bridas de sujeción que no tengan daños y que tengan el tamaño correcto. Las bridas apropiadas apoyan el disco de tronzado reduciendo así el peligro de una ruptura del disco de tronzado.

f) No intente aprovechar los discos amoladores de otras herramientas eléctricas más grandes, aunque su diámetro exterior se haya reducido suficientemente por el desgaste. Los discos amoladores destinados para herramientas eléctricas grandes no son aptos para soportar las velocidades periféricas más altas a las que trabajan las herramientas eléctricas más pequeñas, y pueden llegar a romperse.

g) El diámetro exterior y el grosor de la herramienta intercambiable tienen que corresponder con las medidas de su herramienta eléctrica. Las herramientas intercambiables mal medidas no pueden ser lo suficientemente apantalladas ni controladas.

h) El diámetro de alojamiento de los discos y de las bridas deberá ajustarse exactamente en el husillo de su herramienta eléctrica. Los útiles que no ajusten correctamente sobre el husillo de la herramienta eléctrica, al

girar descentrados, generan unas vibraciones excesivas y pueden hacerle perder el control sobre el aparato.

i) **No emplee discos dañados. Antes de cada utilización inspeccione si los discos están desportillados o fisurados. Si se le cae la herramienta eléctrica o el disco, inspeccione si éste ha sufrido algún daño o monte otro disco en correctas condiciones. Una vez inspeccionado y montado el disco sitúese usted y las personas circundantes fuera del plano de rotación del disco y deje funcionar la herramienta eléctrica en vacío, a las revoluciones máximas, durante un minuto. Por regla general, los discos dañados suelen romperse al realizar esta comprobación.**

j) **Utilice un equipo de protección personal. Dependiendo del trabajo a realizar use una careta, una protección para los ojos, o unas gafas de protección. Si procede, emplee una mascarilla antipolvo, protectores auditivos, guantes de protección o un mandil especial adecuado para protegerle de los pequeños fragmentos que pudieran salir proyectados al desprenderse del útil o pieza. Las gafas de protección deberán ser indicadas para protegerle de los fragmentos que pudieran salir despedidos al trabajar. La mascarilla antipolvo o respiratoria deberá ser apta para filtrar las partículas producidas al trabajar. La exposición prolongada al ruido puede provocar sordera.**

k) **Preste atención a que otras personas se encuentren a una distancia segura referente a su campo de trabajo. Cada persona que pase a su campo de trabajo, tiene que usar un equipo protector personal. Trozos de la pieza por trabajar o de herramientas intercambiables rotas pueden volar y causar lesiones también fuera del campo de trabajo directo.**

l) **Sujete el aparato de las superficies aisladas de agarre al efectuar trabajos en los cuales la perforadora de percusión pueda entrar en contacto con conductores de corriente ocultos o con el propio cable. El contacto de la perforadora de percusión con un conducto con energía aplicada también podrá poner bajo tensión partes metálicas del aparato y causar un choque eléctrico.**

m) **Mantenga el cable de red alejado del útil en funcionamiento. En caso de que Vd. pierda el control sobre la herramienta eléctrica puede llegar a cortarse o enredarse el cable de red con el útil y lesionarle su mano o brazo.**

n) **No deposite jamás la herramienta eléctrica antes de que la herramienta intercambiable haya dejado de girar por completo. La herramienta intercambiable que aún está girando puede entrar en contacto con la superficie de deposición, con lo que usted puede perder el control sobre la herramienta eléctrica.**

o) **No deje funcionar la herramienta eléctrica mientras la transporta. El útil en funcionamiento podría lesionarle al engancharse accidentalmente con su vestimenta.**

p) **Limpie periódicamente las rejillas de refrigeración de su herramienta eléctrica. El ventilador del motor aspira polvo hacia el interior de la carcasa, por lo que, en caso de una acumulación fuerte de polvo metálico, ello puede provocar la una descarga eléctrica.**

q) **No use la herramienta eléctrica en las cercanías de materiales inflamables. Las chipas pueden encender estos materiales.**

r) **No use herramientas intercambiables que requieran de líquidos refrigerantes. El uso de agua o de otros líquidos refrigerantes pueden llevar a una electrocución.**

Instrucciones de seguridad para aplicaciones de tronzado

Contragolpe y las correspondientes indicaciones de seguridad

El retroceso es una reacción brusca que se produce al atascarse o engancharse un disco en rotación. Al atascarse o engancharse el disco en funcionamiento, éste

es frenado bruscamente. Ello puede hacerle perder el control sobre la herramienta eléctrica y hacer que ésta salga impulsada en dirección opuesta al sentido de giro que tenía el disco.

En el caso, p. ej., de que un disco amolador se atasque o bloquee en la pieza de trabajo, puede suceder que el canto del útil que penetra en el material se enganche, provocando la rotura del útil o el rechazo del aparato. Según el sentido de giro y la posición del útil en el momento de bloquearse puede que éste resulte despedido hacia, o en sentido opuesto al usuario. En estos casos puede suceder que el útil incluso llegue a romperse.

El rechazo es ocasionado por la aplicación o manejo incorrecto de la herramienta eléctrica. Es posible evitarlo ateniéndose a las medidas preventivas que a continuación se detallan.

a) **Sujete con firmeza la herramienta eléctrica y mantenga su cuerpo y brazos en una posición propicia para resistir las fuerzas de reacción. Si forma parte del aparato, utilice siempre la empuñadura adicional para poder soportar mejor las fuerzas del rechazo, además de los pares de reacción que se presentan en la puesta en marcha. El usuario puede controlar las fuerzas del rechazo y de reacción si toma unas medidas preventivas oportunas.**

b) **Jamás aproxime su mano al útil en funcionamiento. En caso de un rechazo, el útil podría lesionarle la mano.**

c) **No se coloque delante o detrás del disco tronizador en funcionamiento, alineado con la trayectoria del corte. El retroceso mueve la herramienta eléctrica en el sentido opuesto al movimiento del disco tronizador en el punto de bloqueo.**

d) **Tenga especial precaución al trabajar esquinas, cantos afilados, etc. Evite que el útil de amolar rebote contra la pieza de trabajo o que se atasque. En las esquinas, cantos afilados, o al rebotar, el útil en funcionamiento tiende a atascarse. Ello puede hacerle perder el control o causar un rechazo del útil.**

e) **No utilice útiles dentados o para talla de madera, ni tampoco discos diamantados segmentados si el ancho de sus ranuras en la periferia es superior a 10 mm. Estos útiles son propensos al retroceso y pueden hacerle perder el control sobre la herramienta eléctrica.**

f) **Evite que se bloquee el disco tronizador y una presión de aplicación excesiva. No intente realizar cortes demasiado profundos. Al solicitar en exceso el disco tronizador éste es más propenso a ladearse, bloquearse, a ser rechazado, o a romperse.**

g) **Si el disco tronizador se bloquea, o si tuviese que interrumpir su trabajo, desconecte la herramienta eléctrica y manténgala en esa posición, sin moverla, hasta que el disco tronizador se haya detenido por completo. Jamás intente sacar el disco tronizador en marcha de la ranura de corte, ya que ello podría provocar un rechazo. Investigue y subsane la causa del bloqueo.**

h) **No intente proseguir el corte, estando insertado el disco tronizador en la ranura de corte. Una vez fuera de la ranura de corte, espere a que el disco tronizador haya alcanzado las revoluciones máximas, y prosiga entonces el corte con cautela. En caso contrario el disco tronizador podría bloquearse, salirse de la ranura de corte, o resultar rechazado.**

i) **Soporte las planchas u otras piezas de trabajo grandes para reducir el riesgo de bloqueo o rechazo del disco tronizador. Las piezas de trabajo grandes tienden a curvarse por su propio peso. La pieza de trabajo deberá apoyarse desde abajo a ambos lados tanto cerca de la línea de corte como en los bordes.**

j) **Proceda con especial cautela al realizar recortes "por inmersión" en paredes o superficies similares. El**

disco tronzador puede ser rechazado al tocar tuberías de gas o agua, conductores eléctricos, u otros objetos.

SISTEMA DE HERRAMIENTAS ROZADORA DE MUROS - ASPIRADOR DE POLVO

Emplear la rozadora de muros únicamente con los aspiradores para polvo de la categoría M. Otras combinaciones pueden causar una disminución en la captura y separación del polvo.

Observar las instrucciones de empleo, mantenimiento y limpieza del aspirador de polvo, incluso del filtro. Cuando el recipiente colector de polvo esté lleno, deberá vaciarse inmediatamente.

Emplear únicamente el tubo flexible de aspiración previsto. No deberá manipularse el tubo flexible de aspiración. En caso de entrar pedazos de roca en el tubo flexible de aspiración, interrumpir los trabajos y limpiar inmediatamente el tubo flexible de aspiración. Evitar un retorcimiento del tubo flexible de aspiración.

Limpiar y reemplazar el filtro en intervalos regulares; no retirar filtros /componentes del filtro.

Seleccionar la rozadora de muros y discos de corte de acuerdo al material a tratar. Los fabricantes ofrecen diferentes discos de corte de acuerdo al material a tratar.

Utilizar únicamente discos de corte dotados de diamante. Discos de corte de diamante segmentados deberán presentar únicamente ángulos de corte negativos y ranuras con un máximo de 10 mm entre los segmentos.

Reemplazar o bien reafilarse a tiempo los discos de corte. Al disminuir el rendimiento de corte deberá controlarse si los discos de corte se han desgastado y deberán, por ello, ser reemplazos o reafilados.

Para el inicio y la realización de los trabajos deberán observarse las instrucciones de servicio.

LUGAR DE TRABAJO

Deberá asegurarse que sean observados los requisitos generales de trabajo y seguridad en obra (procurar iluminación suficiente, evitar lugares de caída etc.). Observar las instrucciones de seguridad.

Procurar una buena ventilación.

Deberá observarse que el lugar de trabajo se encuentre limpio y libre de obstáculos. Al realizar ranuras más largas, observar que el aspirador de polvo pueda moverse libremente o bien pueda introducirse directamente después de la rozadora.

ORGANIZACIÓN DEL TRABAJO

Emplear protección auditiva, protección ocular, protección respiratoria y, si fuera necesario, guantes protectores. Como protección respiratoria deberá utilizarse como mínimo una media máscara con filtro de partículas FFP2.

Usar el aspirador de polvo para limpiar el lugar de trabajo. Para evitar un arremolinado de polvo no efectuar trabajos de barrido.

TRANSPORTE, MANEJO Y ALMACENAJE

Es imprescindible tratar y transportar los discos de corte de diamante con cuidado. Utilizar en lo posible el embalaje original u otro tipo de embalaje adecuado.

Almacenar los discos en ambiente seco de manera que no queden expuestos a daños mecánicos.

Proteger los discos de corte contra choques, golpes e influencias perjudiciales del medio ambiente.

CONEXIÓN ELÉCTRICA

Conectar solamente a corriente AC monofásica y sólo al voltaje indicado en la placa de características. También es posible la conexión a enchufes sin toma a tierra, dado que es conforme a la Clase de Seguridad II

APLICACIÓN DE ACUERDO A LA FINALIDAD

La rozadora realiza rozas para colocar cables o tuberías realizando cortes mediante dos discos de diamante paralelos

No utilice este producto para ninguna otra aplicación que no sea su uso normal.

Conecte siempre la máquina a una red protegida por interruptor diferencial y magnetotérmico (FI, RCD, PRCD), para su seguridad personal, según normas establecidas para instalaciones eléctricas de baja tensión.

DECLARACION DE CONFORMIDAD CE

Declaramos bajo nuestra responsabilidad que el producto descrito bajo "Datos técnicos" está en conformidad con todas las normas relevantes de la directiva 2011/65/EU (RoHS), 2014/30/UE, 2006/42/CE y con las siguientes normas o documentos normalizados:

EN 60745-1:2009 + A11:2010
EN 60745-2-22:2011 + A11:2013
EN 55014-1:2017
EN 55014-2:2015
EN 61000-3-2:2014
EN 61000-3-3:2013
EN 50581:2012

Winnenden, 2018-02-26

Alexander Krug
Managing Director



Autorizado para la redacción de los documentos técnicos.

Techtronic Industries GmbH
Max-Eyth-Straße 10
71364 Winnenden
Germany

SUGERENCIAS DE TRABAJO

La herramienta se desconecta automáticamente en caso de sobrecarga. Espere a que se enfríe la herramienta, apriete el botón de sobrecarga y enciéndala de nuevo. Si se para frecuentemente, reduzca la presión o la profundidad de corte

La anchura de corte ajustable milimétricamente permite alojar en la roza con tolta exactitud tubos, cables, etc. sin necesidad de sujetarlos para que no se caigan

Afile los discos de corte (cuando se produzcan chispas al cortar), realizando cortes en arenisca calcárea

Los discos tronzadores se ponen muy calientes al trabajar con ellos, por lo que debe esperarse a que se enfríen suficientemente, antes de tocarlos.

MANTENIMIENTO

Las ranuras de ventilación de la máquina deben estar despejadas en todo momento.

Solo se deben utilizar accesorios y piezas de repuestos Milwaukee. Piezas cuyo recambio no está descrito en las instrucciones de uso, deben sustituirse en un centro de asistencia técnica Milwaukee (Consulte el folleto Garantía/ Direcciones de Centros de Asistencia Técnica).

Puede solicitar, en caso necesario, una vista despiezada del aparato bajo indicación del tipo de máquina y el número de seis dígitos en la placa indicadora de potencia en su Servicio de Postventa o directamente en Techtronic Industries GmbH, Max-Eyth-Straße 10, 71364 Winnenden, Germany.

SÍMBOLOS



¡ATENCIÓN! ¡ADVERTENCIA! ¡PELIGRO!



Desconecte siempre el enchufe antes de llevar a cabo cualquier trabajo en la máquina.



Lea las instrucciones detenidamente antes de conectar la herramienta



Para trabajar con la máquina, utilizar siempre gafas de protección.



Usar protectores auditivos!



Como equipo respirador utilícese como mínimo una semicaretta filtradora de partículas de la clase FFP2.



Usar guantes protectores



Accesorio - No incluido en el equipo estándar, disponible en la gama de accesorios.



Los aparatos eléctricos no se deben eliminar junto con la basura doméstica. Los aparatos eléctricos y electrónicos se deben recoger por separado y se deben entregar a una empresa de reciclaje para una eliminación respetuosa con el medio ambiente.

Infórmese en las autoridades locales o en su tienda especializada sobre los centros de reciclaje y puntos de recogida.



Herramienta eléctrica de la clase de protección II.
Herramientas eléctricas, en las que la protección contra un choque eléctrico no depende solamente del aislamiento básico sino también de la aplicación de medidas adicionales de protección, como doble aislamiento o aislamiento reforzado.
No existe dispositivo para la conexión de un conductor protector.



Marca CE



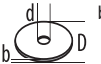
Regulatory Compliance Mark (RCM). El producto cumple las normas vigentes



Marca de conformidad nacional de Ucrania



certificado EAC de conformidad

Características técnicas	WCS 45
Fresadora de abrir roços	
Número de produção	4632 81 03... 3930 04 04... ...000001-999999
Potência absorvida nominal	1900 W
Número de rotações nominal	6200 min ⁻¹
D=Max ø de corte diamantado d=ø do orifício	150 mm 22,2 mm
 b=Espessura do rebolo separador mín. / máx.	2,4 / 2,6 mm
Profundidade de corte máx	0-45 mm
Largura de corte	17-45 mm
Peso nos termos do procedimento-EPTA 01/2014	6,6 kg
Informações sobre ruído/vibração Valores de medida de acordo com EN 60 745. O nível de ruído avaliado A do aparelho é tipicamente: Nível da pressão de ruído (Incertez K=3dB(A)) Nível da potência de ruído (Incertez K=3dB(A))	99 dB(A) 110 dB(A)
Use protectores auriculares! Valores totais de vibração (soma dos vectores das três direcções) determinadas conforme EN 60745. Valor de emissão de vibração a _n Incerteza K=	6,5 m/s ² 1,5 m/s ²

ATENÇÃO

O nível vibratório indicado nestas instruções foi medido em conformidade com um procedimento de medição normalizado na EN 60745 e pode ser utilizado para comparar entre si ferramentas eléctricas. O mesmo é também adequado para avaliar provisoriamente o esforço vibratório.

O nível vibratório indicado representa as principais aplicações da ferramenta eléctrica. Se, no entanto, a ferramenta eléctrica for utilizada para outras aplicações, com outras ferramentas adaptadas ou uma manutenção insuficiente, o nível vibratório poderá divergir. Isto pode aumentar consideravelmente o esforço vibratório ao longo de todo o período do trabalho.

Para uma avaliação exacta do esforço vibratório devem também ser considerados os tempos durante os quais o aparelho está desligado ou está a funcionar, mas não está efectivamente a ser utilizado. Isto pode reduzir consideravelmente o esforço vibratório ao longo de todo o período do trabalho.

Defina medidas de segurança suplementares para proteger o operador do efeito das vibrações, como por exemplo: manutenção da ferramenta eléctrica e das ferramentas adaptadas, manter as mãos quentes, organização das sequências de trabalho.

⚠️ ADVERTÊNCIA! Leia todas as instruções de segurança e todas as instruções. O desrespeito das advertências e instruções apresentadas abaixo pode causar choque eléctrico, incêndio e/ou graves lesões. **Guarde bem todas as advertências e instruções para futura referência.**

⚠️ INSTRUÇÕES DE SEGURANÇA PARA RECTIFICADORAS DE CORTE

a) A tampa de protecção que faz parte da ferramenta eléctrica deve ser fixada seguramente e ajustada, de forma que um máximo de segurança seja obtido, ou seja, a menor parte do corpo abrasivo não coberta mostre para o operador. O utilizador e as pessoas que se encontrem na proximidade devem manter-se fora do nível do disco abrasivo em rotação. A tampa de protecção deve proteger o utilizador contra peças quebradas e o contacto accidental com o corpo abrasivo.

b) Use somente discos de corte de liga, reforçados ou diamantados para a sua ferramenta eléctrica. Só porque o acessório pode ser fixado na sua ferramenta eléctrica, isto não significa que uma utilização segura é garantida.

c) As rotações admissíveis da ferramenta de trabalho devem ser pelo menos tão elevadas como as rotações máximas indicadas na ferramenta eléctrica. Os acessórios que rodam mais rapidamente do que o permitido podem partir-se e ser projectados.

d) Os corpos abrasivos só devem ser utilizados para as aplicações recomendadas. P. ex.: Jamais lixar com a superfície lateral de um disco de corte. Disco de corte são destinados para o desbaste de material com o canto do disco. Uma força lateral sobre estes corpos abrasivos pode quebrá-los.

e) Utilize sempre flanges de tensionamento não danificados no tamanho certo para o disco de corte seleccionado por si. As flanges adequadas apoiam o disco de corte e reduzem, deste modo, o perigo de uma quebra do disco de corte.

f) Não utilizar discos abrasivos gastos de outras ferramentas eléctricas maiores. Discos abrasivos para ferramentas eléctricas maiores não são apropriados para os números de rotação mais altos de ferramentas eléctricas menores e podem quebrar.

g) O diâmetro exterior e a espessura da ferramenta de trabalho devem corresponder às dimensões da sua ferramenta eléctrica. As ferramentas eléctricas com as dimensões erradas não podem ser suficientemente protegidas ou controladas.

h) Os discos abrasivos e os flanges devem caber exactamente no fuso de esmerilhamento da sua ferramenta eléctrica. Ferramentas de trabalho que não caibam exactamente no fuso de esmerilhamento da ferramenta eléctrica, giram de forma irregular, vibram muito e podem levar à perda do controlo.

i) Não use discos abrasivos danificados. Antes de cada utilização, verifique se os discos abrasivos estão

lascados ou fissurados. Se a ferramenta eléctrica ou o disco abrasivo cair, verifique se está danificado ou use um disco abrasivo não danificado. Depois de controlar e inserir o disco abrasivo, o utilizador e pessoas que se encontrem na proximidade devem manter-se fora do nível do disco abrasivo rotativo. Deixe o aparelho operar por um minuto com o número de rotações máximo. Geralmente, discos abrasivos danificados quebram durante este período de teste.

j) Utilizar um equipamento de protecção pessoal. De acordo com a aplicação, deverá utilizar uma protecção para todo o rosto, protecção para os olhos ou um óculos protector. Se for necessário, deverá utilizar uma máscara contra pó, protecção auricular, luvas de protecção ou um avental especial, para proteger-se de pequenas partículas de amoladura e de material. Os olhos devem ser protegidos contra partículas a voar, produzidas durante as diversas aplicações. A máscara contra pó ou a máscara de respiração deve ser capaz de filtrar o pó produzido durante a respectiva aplicação. Se for sujeito durante longo tempo a fortes ruídos, poderá sofrer a perda da capacidade auditiva.

k) Quanto às outras pessoas, preste atenção a uma distância segura em relação à sua área de trabalho. Qualquer pessoa que acesse a área de trabalho deve usar equipamento de protecção pessoal. Os fragmentos do material a trabalhar das ferramentas de trabalho partidas podem voar e provocar ferimentos, mesmo fora da área de trabalho directa.

l) Segure o aparelho nas superfícies de punho isoladas se estiver a executar trabalhos, nos quais a ferramenta de corte pode tocar em linhas eléctricas escondidas ou no próprio cabo. O contacto da ferramenta de corte com uma linha sob tensão também pode colocar peças metálicas do aparelho sob tensão e levar a um choque eléctrico.

m) Manter o cabo de rede afastado de ferramentas de trabalho em rotação. Se perder o controlo sobre a ferramenta eléctrica, é possível que o cabo de rede seja cortado ou enganchado e a sua mão ou braço sejam puxados contra a ferramenta de trabalho em rotação.

n) Nunca pouse a ferramenta eléctrica antes de a ferramenta de trabalho parar completamente. A ferramenta de trabalho rotativa pode entrar em contacto com a área de apoio, podendo perder o controlo sobre a ferramenta eléctrica.

o) Não permitir que a ferramenta eléctrica funcione enquanto estiver a transportá-la. A sua roupa pode ser agarrada devido a um contacto accidental com a ferramenta de trabalho em rotação, de modo que a ferramenta de trabalho possa ferir o seu corpo.

p) Limpar regularmente as aberturas de ventilação da sua ferramenta eléctrica. A ventoinha do motor puxa pó para dentro da carcaça, e uma grande quantidade de pó de metal pode causar perigos eléctricos.

q) Não utilize a ferramenta eléctrica perto de materiais inflamáveis. As faíscas podem inflamar estes materiais.

r) Não utilize ferramentas de trabalho que precisam de líquidos de refrigeração líquidos. A utilização de água ou outros líquidos de refrigeração líquidos pode provocar um choque eléctrico.

Outras instruções de segurança para aplicações de rectificação de corte

Repercussão e respectivas indicações de segurança
O contra-golpe é a reacção repentina, devido a um disco abrasivo em rotação emperrado ou bloqueado. O emperramento ou o bloqueio levam a uma parada repentina da ferramenta rotativa utilizada. Isto acelera uma ferramenta eléctrica descontrolada contra o sentido de rotação da ferramenta utilizada no ponto do bloqueio.

Se por exemplo um disco abrasivo travar ou bloquear numa peça a ser trabalhada, o canto do disco abrasivo pode mergulhar na peça a ser trabalhada e encravar-se, quebrando o disco abrasivo ou causando um contra-golpe. O disco abrasivo se movimenta então no sentido do operador ou para longe deste, dependendo do sentido de rotação do disco no local do bloqueio. Sob estas condições os discos abrasivos também podem partir-se.

Um contra-golpe é a consequência de uma utilização incorrecta ou indevida da ferramenta eléctrica. Ele pode ser evitado por apropriadas medidas de precaução como descrito a seguir.

a) Segurar firmemente a ferramenta eléctrica e posicionar o seu corpo e os braços de modo que possa resistir às forças de um contra-golpe. Sempre utilizar o punho adicional, se existente, para assegurar o máximo controlo possível sobre as forças de um contra-golpe ou sobre momentos de reacção durante o arranque. O operador pode controlar as forças de contra-golpe e as forças de reacção através de medidas de precaução apropriadas.

b) Jamais permita que as suas mãos se encontrem perto de ferramentas de trabalho em rotação. No caso de um contragolpe a ferramenta de trabalho poderá passar pela sua mão.

c) Evite a área em frente e atrás do disco de corte em rotação. O contra-golpe leva a ferramenta eléctrica para a direcção oposta ao movimento do disco abrasivo no ponto de bloqueio.

d) Trabalhar com especial cuidado na área ao redor de esquinas, cantos afiados etc. Evite que ferramentas de trabalho sejam ricocheteadas e travadas pela peça a ser trabalhada. A ferramenta de trabalho em rotação tende a travar em esquinas, em cantos afiados ou se for ricocheteada. Isto causa uma perda de controlo ou um contra-golpe.

e) Não use uma corrente de serra ou uma lâmina da serra dentada ou um disco diamantado segmentado com fendas de mais de 10 mm de largura. Estas ferramentas levam frequentemente a um contra-golpe ou à perda do controlo sobre a ferramenta eléctrica.

f) Evitar um bloqueio do disco de corte ou uma força de pressão demasiado alta. Não efectuar cortes extremamente profundos. Uma sobrecarga do disco de corte aumenta o desgaste e a predisposição para emperrar e bloquear e portanto a possibilidade de um contra-golpe ou uma ruptura do corpo abrasivo.

g) Se o disco de corte emperrar ou se o trabalho for interrompido, deverá desligar a ferramenta eléctrica e mantê-la parada, até o disco parar completamente. Jamais tentar puxar o disco de corte para fora do corte enquanto ainda estiver em rotação, caso contrário poderá ser provocado um contra-golpe. Verificar e eliminar a causa do emperramento.

h) Não ligar novamente a ferramenta eléctrica, enquanto ainda estiver na peça a ser trabalhada. Permita que o disco de corte alcance o seu completo número de rotação, antes de continuar cuidadosamente a cortar. Caso contrário é possível que o disco emperre, pule para fora da peça a ser trabalhada ou cause um contra-golpe.

i) Apoiar placas ou peças grandes, para reduzir um risco de contra-golpe devido a um disco de corte emperrado. Peças grandes podem curvar-se devido ao próprio peso. A peça a ser trabalhada deve ser apoiada de ambos os lados, tanto nas proximidades do corte como também nos cantos.

j) Tenha o cuidado ao efectuar “Cortes de bolso” em paredes existentes ou em outras superfícies, onde não é possível reconhecer o que há por detrás. O disco de corte pode causar um contra-golpe se cortar acidentalmente tubulações de gás ou de água, cabos eléctricos ou outros objectos.

SISTEMA DE FERRAMENTAS DE FRESADORA DE ABRIR ROÇOS & EXTRACTOR DE POEIRA

Só use a fresadora de abrir roços com extractores de poeira da classe de pó M. Outras combinações podem levar a uma coleção e extração de poeira pior.

Observe as instruções de serviço, manutenção e limpeza do extractor de poeira e dos filtros. Esvazie imediatamente os sacos colectores de pó, quando eles estiverem cheios.

Só use a mangueira de aspiração prevista. Não manipule a mangueira de aspiração. Se pedras de rocha entrarem na mangueira de aspiração, interrompa o trabalho e limpe a mangueira de aspiração imediatamente. Evite dobrar a mangueira de aspiração.

Limpe e substitua os filtros periodicamente; não remova os filtros/ componentes filtrantes.

Seleccione a fresadora de abrir roços e os discos de corte de acordo com o material do substrato. Os fornecedores oferecem discos de corte diferentes para os substratos.

Somente use discos de corte diamantados. Discos diamantados segmentados só devem ter ângulos de corte negativos e fendas máximas de 10 mm entre os segmentos.

Substitua ou afie a tempo os discos de corte. Em caso de redução da potência de corte, verifique, se os discos de corte estão desgastados e devem ser substituídos ou afiados.

Execute o processo de imersão e a sequência de operações como descrito no manual de instruções.

LUGAR DE TRABALHO

Assegure-se de que as exigências gerais para lugares de trabalho em canteiros (iluminação suficiente, evitar pontos de queda, etc.) sejam cumpridas. Observe as instruções de segurança.

Cuide de uma ventilação boa.

Assegure um campo de trabalho livre. Em caso de roços mais compridos deve ser possível passar livremente ou a tempo o extractor de poeira.

ORGANIZAÇÃO DO TRABALHO

Use a protecção de ouvidos, dos olhos e respiratória e eventualmente luvas. Use pelo menos uma meia-máscara que filtre partículas da classe FFP2 como protecção respiratória.

Use o extractor de poeira para limpar o lugar de trabalho. Não levante a poeira, varrendo.

TRANSPORTE, MANEJO, ARMAZENAMENTO

Os discos de corte diamantados devem ser tratados e transportados com cuidado. Use a embalagem original, caso possível, ou outra embalagem adequada.

Os discos devem ser armazenados num lugar seco, de forma que não estejam expostos a danificações mecânicas.

Proteja os discos de corte contra golpes, impactos e influências ambientais prejudiciais.

LIGAÇÃO À REDE

Só conectar à corrente alternada monofásica e só à tensão de rede indicada na placa de potência. A conexão às tomadas de rede sem contacto de segurança também é possível, pois trata-se duma construção da classe de protecção II.

UTILIZAÇÃO AUTORIZADA

Com dois discos de corte de diamante, que funcionam em paralelo, a fresadora de abrir roços abre fendas para tubos e cabos (roços na parede) em qualquer tipo de alvenaria.

Não use este produto de outra maneira sem ser a normal para o qual foi concebido.

Aparelhos não estacionários, utilizados ao ar livre, devem ser protegidos por um disjuntor de corrente de defeito (FI,RCD,PRCD).

DECLARAÇÃO DE CONFORMIDADE CE

Declaramos sob responsabilidade exclusiva, que o produto descrito sob "Dados técnicos" corresponde com todas as disposições relevantes da diretiva 2011/65/EU (RoHS), 2014/30/UE, 2006/42/CE e dos seguintes documentos normativos harmonizados.

EN 60745-1:2009 + A11:2010
EN 60745-2-22:2011 + A11:2013
EN 55014-1:2017
EN 55014-2:2015
EN 61000-3-2:2014
EN 61000-3-3:2013
EN 50581:2012

Winnenden, 2018-02-26

Alexander Krug
Managing Director



Autorizado a reunir a documentação técnica.

Techtronic Industries GmbH
Max-Eyth-Straße 10
71364 Winnenden
Germany

SUGESTÕES PARA OPERAÇÃO

A máquina desliga automaticamente em caso de sobrecarga do motor. Após o arrefecimento, prima o botão de sobrecarga e volte a ligar a máquina. Se a máquina desligar com frequência em virtude da protecção contra sobrecarga, reduza a pressão ou a profundidade de corte.

A regulação contínua da largura de corte é extremamente vantajosa visto que permite colocar tubos ou objectos semelhantes na fenda exactamente na medida certa, não havendo a necessidade de fixação adicional por meio de pregos, etc., bastando para isso que o ajuste seja efectuado correctamente.

Os discos de corte de diamante gastos (reconhecíveis pelo voo intenso de fálhas durante o trabalho) devem ser reafiados através de vários cortes em grés calcário ou numa pedra de afiar especial.

Os discos de corte tornam-se muito quentes durante o trabalho; não tocar-las antes de arrefecerem.

MANUTENÇÃO

Manter desobstruídos os rasgos de ventilação na carcaça da máquina.

Utilizar unicamente acessórios e peças sobressalentes da Milwaukee. Sempre que a substituição de um componente não tenha sido descrita nas instruções, será de toda a conveniência mandar executar esse trabalho a um Serviço de Assistência Milwaukee (veja o folheto Garantia/Endereços de Serviços de Assistência).

Se for necessário, um desenho de explosão do aparelho pode ser solicitado do seu posto de assistência ao cliente ou directamente da Techtronic Industries GmbH, Max-Eyth-Straße 10, 71364 Winnenden, Alemanha,

indicando o tipo da máquina e o número de seis posições na chapa indicadora da potência.

SYMBOLE



ATENÇÃO! PERIGO!



Antes de efectuar qualquer intervenção na máquina, tirar a ficha da tomada.



Leia atentamente o manual de instruções antes de colocar a máquina em funcionamento.



Usar sempre óculos de protecção ao trabalhar com a máquina.



Use protectores auriculares!



Como protecção respiratória deverá ser utilizada, no mínimo, uma meia-máscara para filtragem de partículas da classe FFP2.



Use luvas de protecção!



Acessório - Não incluído no equipamento normal, disponível como acessório.



Aparelhos eléctricos não devem ser jogados no lixo doméstico. Aparelhos eléctricos e electrónicos devem ser colectados separadamente e entregues a uma empresa de reciclagem para a eliminação correcta. Solicite informações sobre empresas de reciclagem e postos de colecta de lixo das autoridades locais ou do seu vendedor autorizado.



Ferramenta eléctrica da classe de protecção II.
Ferramenta eléctrica, na qual a protecção contra choque eléctrico não só depende do isolamento básico, mas também da aplicação de medidas de protecção suplementares, como isolamento duplo ou reforçado. Não há um dispositivo para a conexão dum condutor de protecção.



Marca CE



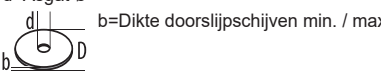
Regulatory Compliance Mark (RCM). O produto satisfaz os regulamentos vigentes.



Marca de conformidade nacional da Ucrânia



Marca de conformidade EurAsian.

Technische gegevens	WCS 45
Muurgroeffreesmachine	
Productienummer	4632 81 03... 3930 04 04... ...000001-999999
Nominaal afgegeven vermogen	1900 W
Nominaal toerental	6200 min ⁻¹
D=Diamantdoorslijpschijf-Ø max. d=Asgat-Ø	150 mm 22,2 mm
 b=Dikte doorslijpschijven min. / max.	2,4 / 2,6 mm
Schroefdiepte	0-45 mm
Freesbreedte	17-45 mm
Gewicht volgens de EPTA-procedure 01/2014	6,6 kg
Geluids-/trillingsinformatie Meetwaarden vastgesteld volgens EN 60745. Het kenmerkende A-gewogen geluidsniveau van de machine bedraagt: Geluidsrukniveau (Onzekerheid K=3dB(A)) Geluidsvermogeniveau (Onzekerheid K=3dB(A))	99 dB(A) 110 dB(A)
Draag oorbeschermers! Totale trillingswaarden (vectorsom van drie richtingebepaald volgens EN 60745. Trillingsemissiewaarde a _n Onzekerheid K=	6,5 m/s ² 1,5 m/s ²

WAARSCHUWING

De in deze aanwijzingen vermelde trillingsdruk is gemeten volgens een in EN 60745 genormeerde meetmethode en kan worden gebruikt voor de onderlinge vergelijking van apparaten. Hij is ook geschikt voor een voorlopige inschatting van de trillingsbelasting.

De aangegeven trillingsdruk geldt voor de meest gebruikelijke toepassingen van het elektrische apparaat. Wanneer het elektrische gereedschap echter voor andere doeleinden, met andere dan de voorgeschreven hulpstukken gebruikt of niet naar behoren onderhouden wordt, kan de trillingsdruk afwijken. Dit kan de waarde van de trillingsdruk over de hele werkperiode aanzienlijk verhogen.

Voor een nauwkeurige inschatting van de trillingsdruk moeten ook de tijden in aanmerking worden genomen dat het apparaat uitgeschakeld is of weliswaar loopt, maar niet werkelijk in gebruik is. Dit kan de waarde van de trillingsdruk over de hele werkperiode aanzienlijk verminderen.

Bepaal extra veiligheidsmaatregelen ter bescherming van de bediener tegen de inwerking van trillingen, bijvoorbeeld: onderhoud van elektrische gereedschappen en apparaten, warmhouden van de handen, organisatie van de werkprocessen.

⚠ WAARSCHUWING! Lees alle veiligheidsinstructies en aanwijzingen. Als de waarschuwingen en voorschriften niet worden opgevolgd, kan dit een elektrische schok, brand of ernstig letsel tot gevolg hebben.

Bewaar alle waarschuwingen en voorschriften voor toekomstig gebruik.

⚠ VEILIGHEIDINSTRUCTIES VOOR DOORSLIJPMACHINES

a) De bij het elektrische gereedschap behorende kap moet veilig bevestigd en zodanig ingesteld zijn dat een maximum aan veiligheid wordt bereikt, d.w.z. het kleinst mogelijke deel van de slijpschijf wijst open naar de gebruiker. Waarborg dat u zelf en andere personen buiten het bereik van de roterende slijpschijf blijven. De veiligheidskap moet de gebruiker tegen afgebroken stukken en toevallig contact met het slijpgereedschap beschermen.

b) Gebruik uitsluitend gebonden, versterkte doorslijpschijven of diamant-doorslijpschijven voor het elektrische gereedschap. Alleen het feit dat u het toebehoren op het elektrische gereedschap kunt bevestigen, garandeert nog geen veilig gebruik.

c) Het toelaatbare toerental van het inzetgereedschap moet minstens even hoog zijn als het maximale toerental dat op het elektrische gereedschap is aangegeven. Toebehoren dat sneller draait dan toegestaan, kan breken en in het rond vliegen.

d) Slijptoebehoren mag alleen worden gebruikt voor de geadviseerde toepassingsmogelijkheden. Bijvoorbeeld: slijp nooit met het zijvlak van een doorslijpschijf. Doorslijpschijven zijn bestemd voor materiaalafname met de rand van de schijf. Een zijwaartse krachthinwerking op dit slijptoebehoren kan het toebehoren breken.

e) Gebruik alleen onbeschadigde klemflenzen met de juiste maat voor de door u gekozen doorslijpschijf. Correcte flenzen steunen de doorslijpschijf en beperken zo het risico dat de schijf breekt.

f) Gebruik geen versleten slijpschijven van grotere elektrische gereedschappen. Slijpschijven voor grotere elektrische gereedschappen zijn niet geconstrueerd voor de hogere toerentallen van kleinere elektrische gereedschappen en kunnen breken.

g) De buitendiameter en de dikte van het inzetstuk dienen overeen te komen met de opgegeven maten van uw elektrische gereedschap. Inzetstukken met de verkeerde afmetingen kunnen niet voldoende worden afgeschermd of gecontroleerd.

h) Slijpschijven en flenzen moeten exact op de slijpspil van het elektrische gereedschap passen. Toebehoren dat niet exact op de slijpspil van het elektrische gereedschap past, draait ongelijkmatig, trilt sterk en kan controleverlies over het gereedschap veroorzaken.

i) Gebruik geen beschadigde slijpschijven. Controleer vóór ieder gebruik de slijpschijven op afsplinteringen en scheuren. Als het elektrische gereedschap of de slijpschijf op de grond valt, moet worden

gecontroleerd of de schijf beschadigd is of moet een onbeschadigde schijf worden gebruikt. Als u de slijpschijf gecontroleerd en geplaatst hebt, dienen u en in buurt aanwezige personen buiten het bereik van de roterende slijpschijf te blijven en moet het apparaat gedurende één minuut op maximaal toerental draaien. Beschadigde slijpschijven breken meestal gedurende deze testtijd.

j) Draag persoonlijke beschermende uitrusting. Gebruik afhankelijk van de toepassing een volledige gezichtsbescherming, oogbescherming of veiligheidsbril. Draag voor zover van toepassing een stofmasker, een gehoorbescherming, werkhandschoenen of een speciaal schort dat kleine slijp- en materiaaldeeltjes tegenhoudt. Uw ogen moeten worden beschermd tegen wegvliegende deeltjes die bij verschillende toepassingen ontstaan. Een stof- of adembeschermingsmasker moet het bij de toepassing ontstaande stof filteren. Als u lang wordt blootgesteld aan loud lawaai, kan uw gehoor worden beschadigd.

k) Let erop dat andere personen op een veilige afstand van de werkplek blijven. Iedereen die de werkplek betreedt, dient persoonlijke beschermingsmiddelen te gebruiken. Brokstukken van het werkstuk of gebroken inzetstukken kunnen wegvliegen en ook buiten het directe werkbereik verwondingen veroorzaken.

l) Houd het apparaat alléén aan de geïsoleerde grijpvlakken vast, wanneer u werkzaamheden uitvoert waarbij het snijgereedschap verborgen stroomleidingen of de eigen apparaatkabel zou kunnen raken. Het contact van het snijgereedschap met een spanningvoerende leiding kan de metalen apparaatdelen onder spanning zetten en zo tot een elektrische schok leiden.

m) Hou de stroomkabel uit de buurt van draaiende inzetgereedschappen. Als u de controle over het elektrische gereedschap verliest, kan de stroomkabel worden doorgesneden of meegenomen en uw hand of arm kan in het ronddraaiende inzetgereedschap terecht komen.

n) Leg het elektrische gereedschap nooit neer, vóór het inzetstuk volledig tot stilstand is gekomen. Het draaiende inzetstuk kan in aanraking komen met de ondergrond, waardoor u de controle over het elektrische gereedschap kunt verliezen.

o) Laat het elektrische gereedschap niet lopen terwijl u het draagt. Uw kleding kan door toevallig contact met het draaiende inzetgereedschap worden meegenomen en het inzetgereedschap kan zich in uw lichaam boren.

p) Reinig regelmatig de ventilatieopeningen van het elektrische gereedschap. De motorventilator trekt stof in het huis en een sterke ophoping van metaalstof kan elektrische gevaren veroorzaken.

q) Gebruik het elektrische gereedschap niet in de buurt van brandbare materialen. Vonken kunnen deze materialen doen ontvlammen.

r) Gebruik geen inzetstukken waarvoor vloeibaar koelmiddel nodig is. Het gebruik van water of andere vloeibare koelmiddelen kan elektrische schokken veroorzaken.

Verdere veiligheidsinstructies voor doorslijpwerkzaamheden

Terugslag en bijbehorende veiligheidsinstructies

Een terugslag is de plotselinge reactie op een hakende of geblokkeerde slijpschijf. Haken of blokkeren leidt tot een abrupte stop van het roterende gereedschap. Een ongecontroleerd elektrisch gereedschap wordt hierdoor op de plaats van de blokkering tegen de draairichting van het gereedschap in versneld.

Als bijvoorbeeld een slijpschijf in het werkstuk vasthaakt of blokkeert, kan de rand van de slijpschijf die in het werkstuk invalt, zich vastgrijpen. Daardoor kan de slijpschijf uitbreken of een terugslag veroorzaken. De

slijpschijf beweegt zich vervolgens naar de bediener toe of van de bediener weg, afhankelijk van de draairichting van de schijf op de plaats van de blokkering. Hierbij kunnen slijpschijven ook breken.

Een terugslag is het gevolg van het verkeerd gebruik of onjuiste gebruiksomstandigheden van het elektrische gereedschap. Terugslag kan worden voorkomen door geschikte voorzorgsmaatregelen, zoals hieronder beschreven.

a) Houd het elektrische gereedschap goed vast en breng uw lichaam en uw armen in een positie waarin u de terugslagkrachten kunt opvangen. Gebruik altijd de extra handgreep, indien aanwezig, om de grootste mogelijke controle te hebben over terugslagkrachten of reactiemomenten bij het op toeren komen. De bediener kan door geschikte voorzorgsmaatregelen de terugslag- en reactiekrachten beheersen.

b) Breng uw hand nooit in de buurt van draaiende inzetgereedschappen. Het inzetgereedschap kan bij de terugslag over uw hand bewegen.

c) Blijf buiten het bereik vóór en achter de roterende doorslijpschijf. De terugslag beweegt het elektrische gereedschap op de plaats van de blokkering in de tegenovergestelde draairichting van de slijpschijf.

d) Werk bijzonder voorzichtig in de buurt van hoeken, scherpe randen, enz. Voorkom dat inzetgereedschappen van het werkstuk terugspringen en vastklemmen. Het ronddraaiende inzetgereedschap neigt er bij hoeken, scherpe randen of wanneer het terugspringt toe om zich vast te klemmen. Dit veroorzaakt een controleverlies of terugslag.

e) Gebruik geen kettingzaagblad of getand zaagblad en geen gesegmenteerde diamant schijven met meer dan 10 mm brede sleuven. Dergelijke apparaten veroorzaken vaak een terugslag, hetgeen tot controleverlies of het elektrische apparaat kan leiden.

f) Voorkom blokkeren van de doorslijpschijf en te hoge aandrukkraft. Slijp niet overmatig diep. Een overbelasting van de doorslijpschijf vergroot de slijtage en de gevoeligheid voor kantelen of blokkeren en daardoor de mogelijkheid van een terugslag of breuk van het slijptoebehoren.

g) Als de doorslijpschijf vastklemt of als u de werkzaamheden onderbreekt, schakelt u het elektrische gereedschap uit en houdt u het rustig tot de schijf tot stilstand is gekomen. Probeer nooit om de nog draaiende doorslijpschijf uit de groef te trekken. Anders kan een terugslag het gevolg zijn. Stel de oorzaak van het vastklemmen vast en maak deze ongedaan.

h) Schakel het elektrische gereedschap niet opnieuw in zolang het zich in het werkstuk bevindt. Laat de doorslijpschijf eerst het volledige toerental bereiken voordat u het doorslijpen voorzichtig voortzet. Anders kan de schijf vasthangen, uit het werkstuk springen of een terugslag veroorzaken.

i) Ondersteun platen of grote werkstukken om het risico van een terugslag door een ingeklemde doorslijpschijf te verminderen. Grote werkstukken kunnen onder hun eigen gewicht doorbuigen. Het werkstuk moet aan beide zijden worden ondersteund, vlakbij de slijp-groef en aan de rand.

j) Wees bijzonder voorzichtig bij invallend frezen in bestaande muren of andere plaatsen zonder voldoende zicht. De invallende doorslijpschijf kan bij het doorslijpen van gas- of waterleidingen, elektrische leidingen of andere objecten een terugslag veroorzaken.

WERKSYSTEEM MUURSLIEUVENFREES - STOFZUIGER

Gebruik de muursleuvenfrees alleen met stofzuigers van stofklasse M. Andere combinaties kunnen tot een slechtere verzameling en afscheiding van het stof leiden.

Neem de instructies voor bedrijf, onderhoud en reiniging van de stofzuiger inclusief filters in acht. Stofreservoirs die vol zijn, moeten direct worden leeggemaakt.

Gebruik alleen de hiervoor bedoelde aanzuigslang. Manipuleer de aanzuigslang niet. Indien steenbrokken in de aanzuigslang terechtkomen, moet het werk onderbroken en de aanzuigslang direct gereinigd worden. Vermijd dat de aanzuigslang een knik maakt.

Reinig en vervang de filters regelmatig. Verwijder geen filters of filteronderdelen.

Selecteer een muursleuvenfrees en slijpschijven die bij de ondergrond passen. De fabrikanten bieden verschillende slijpschijven voor verschillende ondergronden aan.

Gebruik alleen met diamant bezette slijpschijven. Gesegmenteerde diamantschijven mogen alleen negatieve zaaghoeken en maximaal 10 mm grote sleuven tussen de segmenten hebben.

Slijpschijven moeten op tijd worden vervangen of geslepen. Bij een vermindering van het zaagvermogen dient te worden gecontroleerd of de slijpschijven versleten zijn en moeten worden vervangen of geslepen.

Begin en voltooi de slijpbewerking zoals in de handleiding beschreven is.

WERKPLAATS

Er dient te worden gegarandeerd dat de algemene eisen voor werkplaatsen op bouwterreinen (voldoende verlichting, valgevaar voorkomen enz.) worden nageleefd. Neem de veiligheidsinstructies in acht.

Zorg voor een goede ventilatie.

Zorg ervoor dat de werkomgeving vrij is. Bij langere sleuven moet de stofzuiger zich vlot mee verplaatsen of op tijd mee worden verplaatst.

ORGANISATIE VAN HET WERK

Gebruik gehoorbescherming, oogbescherming, adembescherming en indien nodig handschoenen. Gebruik als adembescherming ten minste een halfmasker met deeltjesfilter van de klasse FFP2.

Gebruik een stofzuiger om de werkplaats te reinigen. Veeg neergeslagen stof niet weg met een borstel, om te voorkomen dat het opwaait.

TRANSPORT, HANTERING, OPSLAG

Diamantschijven moeten met zorg worden behandeld en getransporteerd. Gebruik indien mogelijk de originele verpakking of een andere geschikte verpakking.

De schijven moeten in een droge omgeving worden opgeslagen. Let erop dat ze niet mechanisch kunnen worden beschadigd.

Bescherm de slijpschijven tegen slagen, stoten en schadelijke milieu-invloeden.

NETAANSLUITING

Uitsluitend op éénfase-wisselstroom en uitsluitend op de op het typeplaatje aangegeven netspanning aansluiten. Aansluiting is ook mogelijk op een stekerdoos zonder aardcontact mogelijk, omdat het is ontworpen volgens veiligheidsklasse II.

VOORGESCHREVEN GEBRUIK VAN HET SYSTEEM

De muurgroeffreesmachine freest, met twee parallel lopende diamantdoorslijpschijven, sleuven voor leidingen en kabels in alle soorten metselwerk.

Dit apparaat uitsluitend gebruiken voor normaal gebruik, zoals aangegeven.

Verplaatsbaar gereedschap moet bij het gebruik buiten aan een aardlekschakelaar (FI, RCD, PRCD) aangesloten worden.

EC - VERKLARING VAN OVEREENSTEMMING

Wij verklaren in uitsluitende verantwoording dat het onder 'Technische gegevens' beschreven product overeenstemt met alle relevante voorschriften van de richtlijn 2011/65/EU (RoHS), 2014/30/EU, 2006/42/EG en de volgende geharmoniseerde normatieve documenten:

EN 60745-1:2009 + A11:2010
EN 60745-2-22:2011 + A11:2013
EN 55014-1:2017
EN 55014-2:2015
EN 61000-3-2:2014
EN 61000-3-3:2013
EN 50581:2012

Winnenden, 2018-02-26



Alexander Krug
Managing Director



Gemachtigd voor samenstelling van de technische documenten

Techtronic Industries GmbH
Max-Eyth-Straße 10
71364 Winnenden
Germany

WERKRICHTLIJNEN

Bij overbelasting van de motor schakelt de machine zich automatisch uit. Druk na afkoeling de overbelastingsknop weer in en herstart de machine. Indien de overbelastingsbeveiliging de machine frequent uitschakelt, reduceer dan de freesdruk of freesdiepte.

De variabele freesbreedte-instelling biedt het voordeel dat, indien de freesbreedte correct is ingesteld, buizen etc. perfect in de sleuf passen en het niet nodig is ze met spijkers etc. vast te zetten om te voorkomen dat ze eruit vallen.

Botte diamantdoorslijpschijven (herkenbaar door vonkenregen bij het frezen) aanscherpen door het maken van meerdere snedes in kalkzandsteen of een speciaal slijpsteen.

De doorslijpschijven worden tijdens de werkzaamheden zeer heet. Niet aanraken voordat deze zijn afgekoeld.

ONDERHOUD

Altijd de luchtspleten van de machine schoonhouden.

Aleen Milwaukee toebehoren en onderdelen gebruiken. Onderdelen welke niet vermeld worden, kunnen het beste door de Milwaukee servicedienst verwisseld worden (zie Serviceadressen).

Zo nodig kan een explosietekening van het apparaat worden aangevraagd bij uw klantenservice of direct bij Techtronic Industries GmbH, Max-Eyth-Straße 10, 71364 Winnenden, Duitsland onder vermelding van het machinetype en het zescijferige nummer op het typeplaatje.

SYMBOLEN



OPGELET! WAARSCHUWING! GEVAAR!



Voor alle werkzaamheden aan de machine de stekker uit de kontaktdoos trekken.



Graag instructies zorgvuldig doorlezen vóórdat u de machine in gebruik neemt.



Bij het werken met de machine altijd een veiligheidsbril dragen.



Draag oorbeschermers!



Gebruik een deeltjes filterend halfmasker klasse FFP2 als adembescherming.



Draag veiligheidshandschoenen!



Toebehoren - Wordt niet meegeleverd. Is apart leverbaar. Zie hiervoor het toebehorenprogramma.



Elektrische apparaten mogen niet via het huisafval worden afgevoerd. Elektrische en elektronische apparaten moeten gescheiden worden verzameld en voor een milieuvriendelijke afvoer worden afgegeven bij een recyclingbedrijf. Informeer bij uw gemeente of bij uw vakhandelaar naar recyclingbedrijven en inzamelpunten.



Elektrisch gereedschap van de beschermingsklasse II. Elektrisch gereedschap waarbij de bescherming tegen elektrische schokken niet afhankelijk is van de basisisolatie, maar waarin ook extra veiligheidsmaatregelen worden toegepast zoals dubbele of versterkte isolatie. Er is geen voorziening voor de aansluiting van een aardleiding.



CE-keurmerk



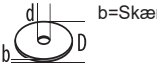
Regulatory Compliance Mark (RCM). Het product voldoet aan de van toepassing zijnde voorschriften.



Nationaal symbool van overeenstemming Oekraïne



EurAsian-symbool van overeenstemming.

Tekniske data	WCS 45
Murrillefræser	
Produktionsnummer	4632 81 03... 3930 04 04... ...000001-999999
Nominel optagen effekt	1900 W
Nominel omdrejningstal	6200 min ⁻¹
D=Diamant skæreskive-ø maks. d=borings-ø	150 mm 22,2 mm
 b=Skæreskive tykkelse min. / maks.	2,4 / 2,6 mm
Skæredybde	0-45 mm
Skærebredde	17-45 mm
Vægt svarer til EPTA-procedure 01/2014	6,6 kg
Støj/Vibrationsinformation Måleværdier beregnes iht. EN 60 745. Værktøjets A-vurderede støjniveau er typisk: Lydtrykniveau (Usikkerhed K=3dB(A)) Lydeffekt niveau (Usikkerhed K=3dB(A))	99 dB(A) 110 dB(A)
Brug høreværn! Samlede vibrationsværdier (værdisum for tre retninger) beregnet iht. EN 60745. Vibrationseksponering a _v Usikkerhed K=	6,5 m/s ² 1,5 m/s ²

ADVARSEL

Svingningsniveauet, som er angivet i disse anvisninger, er målt i henhold til standardiseret måleprocedure ifølge EN 60745 og kan anvendes til indbyrdes sammenligning mellem el-værktøjer. Svingningsniveauet er ligeledes egnet som foreløbigt skøn over svingningsbelastningen.

Det angivne svingningsniveau er baseret på el-værktøjets primære anvendelsesformål. Hvis el-værktøjet benyttes til andre formål, med andet indsatsværktøj eller ikke vedligeholdes tilstrækkeligt, kan svingningsniveauet afvige. Dette kan øge svingningsbelastningen over den samlede arbejdsperiode betydeligt.

For en nøjagtig vurdering af svingningsbelastningen skal der også tages højde for de tidsperioder, hvor apparatet er slukket, eller hvor apparatet kører, men uden at være i anvendelse. Dette kan reducere svingningsbelastningen over den samlede arbejdsperiode betydeligt.

Supplerende sikkerhedsforanstaltninger til beskyttelse af brugeren mod påvirkninger fra svingninger skal iværksættes, f.eks.: Vedligeholdelse af el-værktøj og indsatsværktøj, varmholdelse af hænder, organisering af arbejdsprocesser.

⚠ ADVARSEL! Læs alle sikkerhedsinformationer og instruktioner. I tilfælde af manglende overholdelse af advarselshenvisningerne og instrukserne er der risiko for elektrisk stød, brand og/eller alvorlige kvæstelser. **Opbevar alle advarselshenvisninger og instrukser til senere brug.**

⚠ SIKKERHEDSINSTRUKTIONER FOR SKÆREMASKINER

a) Beskyttelsesskærmen der hører til el-værktøjet skal være anbragt sikkert og indstillet sådan, at en maksimal sikkerhed opnås med denne, dvs. at den mindst mulige del af slibelegemet peger åbent mod betjeningspersonen. Sørg for at holde dig selv og personer i nærheden uden for niveauet, hvor slibeskiven roterer. Beskyttelsesskærmen skal beskytte betjeningspersonen mod brudstykker og tilfældig kontakt med slibelegemet.

b) Anvend kun bundne forstærkede eller diamantbesatte skæreskiver til el-værktøjet. At det er muligt at fastgøre tilbehøret på dit el-værktøj, garanterer ikke en sikker anvendelse.

c) Den tilladte hastighed for indsatsværktøjet skal mindst være så høj som den maksimale hastighed, der er angivet på el-værktøjet. Tilbehør, der drejer hurtigere end tilladt, kan brække og de enkelte dele flyve fra hinanden.

d) Slibeskiver/slibestifter må kun anvendes til de anbefalede formål. F.eks.: Slib aldrig med sidefladen på en skæreskive. Skæreskiver er bestemt til materialeafslibning med kanten på skiven. Udsættes disse

slibeskiver/slibestifter for sidevendt kraftpåvirkning, kan de ødelægges.

e) Anvend altid ubeskadigede spændefanger i den rigtige størrelse til den skæreskive, du har valgt. Egnede flanger støtter skæreskiven og reducerer derfor risikoen for brud på skæreskiven.

f) Brug ikke slidte slibeskiver, der passer til større el-værktøj. Slibeskiver til større el-værktøj kan brække, da de ikke er egnede til de højere omdrejningstal, som småt el-værktøj arbejder med.

g) Den udvendige diameter og tykkelsen på indsatsværktøjet skal svare til målene på dit el-værktøj. Indsatsværktøjer med forkert størrelse kan ikke afskæres eller kontrolleres på tilstrækkelig vis.

h) Slibeskiver og flange skal passe nøjagtigt på el-værktøjets slibespindel. Indsatsværktøj, der ikke passer nøjagtigt på el-værktøjets slibespindel, drejer ujævnt, vibrerer meget kraftigt og kan føre til, at man mister kontrollen over værktøjet

i) Brug ikke beskadigede slibeskiver. Undersøg slibeskiverne før hver brug for skår og revner. Hvis du tager el-værktøjet eller slibeskiven, så undersøg om det eller den er beskadiget eller anvend en ubeskadiget slibeskive. Når slibeskiven er kontrolleret og sat i, så sørg for at holde dig selv og personer i nærheden uden for niveauet, hvor slibeskiven roterer, og lad maskinen køre i et minut med den højeste hastighed. Beskadigede slibeskiver brækker for det meste i denne testtid.

j) Brug personligt beskyttelsesudstyr. Brug helmaske til ansigtet, øjenværn eller beskyttelsesbriller, afhængigt af det udførte arbejde. Brug afhængigt af arbejdets art støvmaske, høreværn, beskyttelseshandsker eller specialforklæde, der beskytter dig mod små slibe- og materialepartikler. Øjenene skal beskyttes mod fremmede genstande, der flyver rundt i luften og som opstår i forbindelse med forskelligt arbejde. Støv- eller åndedrætsmaske skal filtrere det støv, der opstår under arbejdet. Udsættes du for høj støj i længere tid, kan du lide høretab.

k) Sørg for at andre personer befinder sig i en sikker afstand til dit arbejdsområde. Enhver person, der går ind på dit arbejdsområde, skal bruge personlige værnemidler. Brudstykker fra emnet eller brækkede indsatsværktøjer kan flyve væk og medføre tilskadekomst også uden for det direkte arbejdsområde.

l) Hold maskinen fast i de isolerede gribeblader, når du udfører arbejde, hvor der er risiko for, at skæreværktøjet kan ramme skjulte strømledninger eller værktøjets egen ledning. Kommer skæreværktøjet i kontakt med en strømførende ledning, kan maskinens metaldele komme under spænding og give elektrisk stød.

m) Hold netkablet væk fra roterende indsatsværktøj. Taber du kontrollen over elværktøjet, kan netkablet skæres over eller rammes, og din hånd eller din arm kan trækkes ind i det roterende indsatsværktøj.

n) Læg aldrig elværktøjet fra dig, før indsatsværktøjet er standset helt. Det roterende indsatsværktøj kan komme i kontakt med fralægningsoverfladen, og ved dette kan du miste kontrollen over elværktøjet.

o) Lad ikke elværktøjet køre, mens det bæres. Dit tøj kan blive fanget ved en tilfældig kontakt med det roterende indsatsværktøj, hvorved indsatsværktøjet kan bore sig ind i din krop.

p) Rengør ventilationsåbningerne på dit el-værktøj med regelmæssige mellemrum. Motorhuset trækker støv ind i huset, og store mængder metalstøv kan være farligt rent elektrisk.

q) Anvend ikke elværktøjet i nærheden af brændbare materialer. Gnister kan antænde disse materialer.

r) Brug ikke indsatsværktøj, der kræver flydende kølemidler. Anvendelsen af vand eller andre flydende kølemidler kan føre til elektrisk stød.

Yderligere sikkerhedsinstruktioner for skære-/slibeopgaver

Tilbageslag og tilsvarende sikkerhedsanvisninger

Tilbageslag er en pludselig reaktion, som sker på grund af, at en roterende slibeskive har sat sig fast eller blokerer. Fastsættelse eller blokering fører til et pludseligt stop af det roterende indsatsværktøj. Herved accelereres et ukontrolleret el-værktøj mod indsatsværktøjets omdrejningsretning på blokeringsstedet.

Sidder f.eks. en slibeskive fast eller blokerer i et emne, kan kanten på slibeskiven, der dykker ned i emnet, blive siddende, hvorved slibeskiven brækker af eller fører til et tilbageslag. Slibeskiven bevæger sig så hen imod eller væk fra betjeningspersonen, afhængigt af skivens drejningsretning på blokeringsstedet. Derved kan slibeskiver også brække.

Et tilbageslag skyldes forkert eller fejlbefæftet brug af el-værktøjet. Det kan forhindres ved at træffe egnede forsigtighedsforanstaltninger, der beskrives i det følgende.

a) Hold godt fast i el-værktøjet og sørg for at både krop og arme befinder sig i en position, der kan klare tilbageslagskræfterne. Anvend altid ekstrahåndtaget, hvis et sådant findes, for at have så meget kontrol som muligt over tilbageslagskræfterne eller reaktionsmomenterne, når maskinen kører op i hastighed. Betjeningspersonen kan beherske tilbageslags- og reaktionskræfterne med egnede forsigtighedsforanstaltninger.

b) Sørg for at din hånd aldrig kommer i nærheden af det roterende indsatsværktøj. Indsatsværktøjet kan bevæge sig hen over din hånd i forbindelse med et tilbageslag.

c) Undgå området foran og bagved den roterende skæreskive. Tilbageslaget driver el-værktøjet i modsat retning af slibeskivens bevægelse på blokeringsstedet.

d) Arbejd særlig forsigtig i områder som f.eks. hjørner, skarpe kanter osv. Forhindre at indsatsværktøjet slår tilbage fra emnet og sætter sig fast. Det roterende indsatsværktøj har tendens til at sætte sig fast, når det anvendes i hjørner, skarpe kanter eller hvis det springer tilbage. Dette medfører, at man taber kontrollen eller tilbageslag.

e) Anvend ikke en kædesavklinge eller en tandet savklinge samt ikke en segmenteret diamantskive med mere end 10 mm brede slidser. Sådanne indsatsværktøj fører ofte til et tilbageslag eller at man mister kontrollen over el-værktøjet.

f) Undgå at skæreskiven blokerer eller får for højt modtryk. Foretag ikke meget dybe snit. Overbelastes skæreskiven, øges skivens belastning og der er større tendens til, at skiven kan sætte sig i klemme eller blokere, hvilket igen kan føre til tilbageslag eller brud på slibeskiven/slibestiften.

g) Sidder skæreskiven i klemme eller afbryder du arbejdet, slukkes elværktøjet og maskinen holdes roligt, til skiven er stoppet. Forsøg aldrig at trække skæreskiven ud af snittet, mens den roterer, da dette kan føre til et tilbageslag. Lokalisér og afhjælp fejlen.

h) Tænd ikke for elværktøjet, så længe det befinder sig i emnet. Sørg for at skæreskiven når op på sit fulde omdrejningstal, før du forsigtigt fortsætter snittet. Ellers kan skiven sætte sig i klemme, springe ud af emnet eller forårsage et tilbageslag.

i) Understøt plader eller store emner for at reducere risikoen for et tilbageslag som følge af en fastklemt skæreskive. Store plader kan bøje sig under deres egen vægt. Emnet skal støttes på begge sider, både i nærheden af skæresnittet og ved kanten.

j) Vær særlig forsigtig ved „lommensnit“ i bestående vægge eller andre områder, hvor man ikke har direkte indblik. Den neddykkende skæreskive kan forårsage et tilbageslag, når der skæres i gas- eller vandledninger, elektriske ledninger eller andre genstande.

ARBEJDSYSTEM FOR MURRILLEFRÆSER - STØVSUGERANORDNING

Brug kun murrillefræseren sammen med støvsugeranordninger i støvclassen M. Andre kombinationer kan føre til en dårligere opsamling og udskillelse af støv.

Læg mærke til instruktionerne om støvsugeranordningens funktion, vedligeholdelse og rengøring inklusive filtrere. Tøm straks støvbeholdere, når der er fulde.

Brug kun den hertil bestemte sugeslange. Sugelangen må ikke manipuleres. Kommer der stenstykker ind i sugelangen, så stop med at arbejde og rengør straks sugelangen. Undgå knæk på sugelangen.

Rens og udskift filtre regelmæssigt. Fjern ikke filtre / filterkomponenter.

Vælg murrillefræser og skæreskiver, der passer til overfladens materiale. Producenterne tilbyder forskellige skæreskiver alt efter overfladens materiale.

Brug kun diamantbesatte skæreskiver. Segmenterede diamantskiver må kun have negative skærevinkler og maksimale slidser på 10 mm mellem segmenterne.

Udskift eller efterslib skæreskiver i rette tid. Ved forringelse af skæreydelsen skal det kontrolleres, om skæreskiverne er slidte og skal udskiftes eller efterslibes.

Neddyknings- og arbejdsprocessen udføres som beskrevet i brugervejledningen.

ARBEJDSPLADS

De almindelig krav til arbejdspladser på byggepladser (tilstrækkelig belysning, undgåelse af risici for at falde etc.) skal overholdes. Sikkerhedsinstruktionerne skal følges.

Sørg for en god ventilation.

Sørg for et frit arbejdsfelt. Ved længere riller skal støvsugeranordningen frit kunne efterføres eller rettidigt kunne efterføres.

ARBEJDSORGANISATION

Brug høreværn, beskyttelsesbriller, åndedrætsværn og evt. handsker. Som åndedrætsværn skal der mindst bruges en partikelfiltrerende halvmaske fra klasse FFP 2.

Brug en støvsugeranordning til rengøring af arbejdspladsen. Undgå at hvirvle støvaflejringer op ved at feje dem op.

TRANSPORT, HÅNDBETING, OPBEVARING

Diamantskærskiver skal behandles og transporteres forsigtigt. Brug så vidt muligt den originale emballage eller en anden egnet emballage.

Skiverne skal opbevares i tørre omgivelser, sådan at de ikke udsættes for mekaniske beskadigelser.

Beskyt skærskiverne mod slag, stød og skadelige miljøpåvirkninger.

NETTILSLUTNING

Tilslutning må kun foretages til enfaset vekselstrøm og kun til en netspænding, som er i overensstemmelse med angivelsen på mærkepladen. Tilslutning kan også ske til stikdåser uden beskyttelseskontakt, da kapslingsklasse II foreligger.

TILTÆNKT FORMÅL

Murnotfræseren fræser lednings- og kabelkanaler (murnot) i alt slags murværk med to parallelt løbende diamantadskillerskiver.

Produktet må ikke anvendes på anden måde og til andre formål end foreskrevet.

Stikdåser udendørs skal være forsynet med fejlstrømssikringskontakter (FI, RCD, PRCD). Det forlanger installationsforskriften for Deres elektroanlæg. Overhold dette, når De bruger vores maskiner.

CE-KONFORMITETSERKLÆRING

Vi erklærer som eneansvarlig, at det under "Tekniske data" beskrevne produkt stemmer overens med alle relevante forskrifter, der følger af direktiv 2011/65/EU (RoHS), 2014/30/EU, 2006/42/EF samt af følgende harmoniserede normative dokumenter:

EN 60745-1:2009 + A11:2010
EN 60745-2-22:2011 + A11:2013
EN 55014-1:2017
EN 55014-2:2015
EN 61000-3-2:2014
EN 61000-3-3:2013
EN 50581:2012

Winnenden, 2018-02-26

Alexander Krug
Managing Director



Autoriseret til at udarbejde de tekniske dokumenter.

Techtronic Industries GmbH
Max-Eyth-Straße 10
71364 Winnenden
Germany

ARBEJDS- VEJLEDNING

I tilfælde af overbelastning af motoren frakobles maskinen automatisk. Efter afkøling skal overbelastningsknappen atter trykkes ind, og maskinen skal genindkobles. I tilfælde af en hyppig frakobling vil overbelastningsbeskyttelsen skal skæretrykket eller snitdybden reduceres.

Den trinløse justering af snitbredden har den fordel, at de rør osv., der skal bearbejdes, kan placeres positionspræcist i slidsen, så man ikke behøver at sikre arbejdsemmerne ekstra mod at kun falde ud med søm eller lignende.

Stumpe diamantadskillerskiver (genkendes på den stærke gnistdannelse i løbet af arbejdet) efterslibes via flere snit i kalksandsten eller i specielle slibesten.

Skærskiverne bliver meget varme under brug; skiverne skal være kølet af, før der må tages fat i dem.

VEDLIGEHOLDELSE

Hold altid maskinens ventilationsåbninger rene.

Brug kun Milwaukee tilbehør og reservedele. Lad de komponenter, hvis udskiftning ikke er blevet beskrevet, udskifte hos Milwaukee service (brochure garanti/bemærk kundeserviceadresser).

Hvis det er nødvendigt, kan der bestilles en sprængskitse af værktøjet. Angiv herved venligst maskintypen samt det sekscifrede nummer på mærkepladen og bestil tegningen hos din lokale kundeserviceafdeling eller direkte hos Techtronic Industries GmbH, Max-Eyth-Straße 10, 71364 Winnenden, Tyskland.

SYMBOLER



VIGTIGT! ADVARSEL! FARE!



Før ethvert arbejde ved maskinen skal stikket tages ud af stikdåsen.



Læs brugsanvisningen nøje før ibrugtagning.



Når der arbejdes med maskinen, skal man have beskyttelsesbriller på.



Brug høreværn!



Som åndedrætsværn skal som mindstekrav benyttes en partikelfiltrerende halvmaske i klasse FFP2.



Brug beskyttelseshandsker!



Tilbehør - Ikke inkluderet i leveringsomfanget, køb købes som tilbehør.



Elektrisk udstyr må ikke bortskaffes sammen med det almindelige husholdningsaffald. Elektrisk og elektronisk udstyr skal indsamles særskilt og afleveres hos en genbrugsvirksomhed til en miljømæssig forsvarlig bortskaffelse. Spørg de lokale myndigheder eller din forhandler om genbrugsstationer og indsamlingssteder til sådant affald.



Kapslingsklasse II elværktøj. Elværktøj, hvor beskyttelsen mod et elektrisk stød ikke kun afhænger af basisisoleringen men også af, at der anvendes yderligere beskyttelsesforanstaltninger som dobbelt isolering eller forstærket isolering. Der findes ikke udstyr til tilslutning af en beskyttelsesleder.



CE-mærke



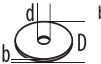
Regulatory Compliance Mark (RCM). Produktet opfylder de gældende bestemmelser.



Nationalt overensstemmelsesmærke Ukraine



EurAsian overensstemmelsesmærke.

Tekniske data	WCS 45
Murnotfreser	
Produksjonsnummer	4632 81 03... 3930 04 04... ...000001-999999
Nominell inngangseffekt	1900 W
Nominelt turtall	6200 min ⁻¹
D=Diamantkappeskive-ø maks. d=hull-ø	150 mm 22,2 mm
 b=Tykkelse av kappeskiver min. / maks	2,4 / 2,6 mm
Kuttedybde	0-45 mm
Skjærebredde	17-45 mm
Vekt i henhold til EPTA-Prosedyren 01/2014	6,6 kg
Støy/Vibrasjonsinformasjon Måleverdier fastslått i samsvar med EN 60 745. Det typiske A-bedømte støynivået for maskinen er: Lydtryknivå (Usikkerhet K=3dB(A)) Lydeffektnivå (Usikkerhet K=3dB(A))	99 dB(A) 110 dB(A)
Bruk hørselsvern! Totale svingningsverdier (vektorsum fra tre retninger) beregnet jf. EN 60745. Svingningsemisjonsverdi a _n Usikkerhet K=	6,5 m/s ² 1,5 m/s ²

ADVARSEL

Svingningsnivået som er angitt i denne instruksjonen er målt i overensstemmelse med målemetoden normert i direktiv EN 60745 og kan brukes til å sammenligne elektromaskiner med hverandre. Den egner seg også for en foreløbig vurdering av svingningsbelastningen.

Det angitte svingningsnivået representerer de hovedsaklige bruk av elektroverktøyet. Men anvendes elektroverktøyet for andre bruk med avvikende utskiftbare verktøy eller vedlikeholdet er utilstrekkelig, kan svingningsnivået være avvikende.

Dette kan forhøye svingningsbelastning betydelig over hele arbeidsperioden. For en nøyaktig vurdering av svingningsbelastningen må også det tas hensyn til tiden apparatet er avslått eller står på, men ikke er i bruk. Dette kan redusere svingningsbelastningen betydelig over hele arbeidsperioden.

Innfør også ekstra sikkerhetstiltak for å beskytte bruker mot utvirkingen av svingningene. Disse kan f.eks. være: vedlikehold av elektroverktøyet og det utskiftbare verktøyet, holde hendene varme, organisasjon av arbeidsforløpet.

⚠ OBS! Les alle sikkerhetsinstruksjoner og bruksanvisninger. Feil ved overholdelsen av advarslene og nedenstående anvisninger kan medføre elektriske støt, brann og/eller alvorlige skader.
Ta godt vare på alle advarslene og informasjonene.

⚠ SIKKERHETSINSTRUKSER FOR KAPPEMASKINER

a) Beskyttelseshetten som tilhører elektroverktøyet skal monteres og innstilles slik at et maksimum av sikkerhet oppnås, dvs at en så liten del som mulig av slipekroppen blir vist åpent til bruker. Still deg selv og alle personer i nærheten utenfor flaten til den roterende slipeskiven. Beskyttelseshetten skal beskytte bruker mot avbrente deler og tilfeldig kontakt med slipekroppen.

b) Bruk kun bundne forsterkede eller diamantbesatte kappeskiver for ditt elektroverktøy. Bare fordi at du kan befeste tilbehøret på elektroverktøyet ditt, garanterer ingen sikker bruk av dette.

c) Det tillatte omdreiningsstallet til elektroverktøyet må være minst så høyt som det maksimale omdreiningsstallet som er oppgitt på elektroverktøyet. Tilbehør som dreier seg raskere enn tillatt kan brette og slynges rundt.

d) Slipeskiver må kun brukes til anbefalt type bruk. F. eks.: Ikke slip med sideflaten til en kappeskive. Kappeskiver er beregnet til materialfjerning med kanten på skiven. Innvirkning av krefter fra siden kan føre til at slipeskivene brykker.

e) Bruk alltid uskadede spenneflenser i riktig størrelse for den valgte kappeskiven. Egnete flenser støtter kappeskiven og reduserer faren for at kappeskiven brykker.

f) Ikke bruk slitte slipeskiver fra større elektroverktøy. Slipeskiver for større elektroverktøy er ikke beregnet til de høyere turtall på mindre elektroverktøy og kan brette.

g) Det ytre tværsnittet og tykkelsen til verktøyet som benyttes må overholde målene til elektroverktøyet ditt. Verktøy som er målt feil kan ikke avskjermes eller kontrolleres riktig.

h) Slipeskiver og flenser må passe helt nøyaktig på slipespindelen til ditt elektroverktøy. Isettingsverktøy som ikke passer helt nøyaktig på slipespindelen til elektroverktøyet dreier seg ujevnt, vibrerer sterkt og kan derfor føre til at man mister kontrollen.

i) Bruk aldri ødelagte slipeskiver. Kontroller før hver bruk slipeskivene på avspilting og risser. Hvis elektroverktøyet eller slipeskiven faller ned, så kontroller om det er skadet eller bruk en hel slipeskive. Når slipeskiven er kontrollert og isatt, så pass på å holde deg selv og andre utenfor flaten til den roterende slipeskiven og la apparatet gå i et minutt på maksimalt omdreiningsstall. Skadete slipeskiver brykker som oftest i denne testperioden.

j) Bruk personlig beskyttelsesutstyr. Avhengig av typen bruk må du bruke visir, øyeskyttelse eller vernebriller. Om nødvendig må du bruke støvmaske, hørselsvern, vernehansker eller spesialfokle som holder små slipe- og materialpartikler unna kroppen din. Øynene bør beskyttes mot fremmedlegemer som kan fly rundt ved visse typer bruk. Støv- eller pustevernmasker må filtrere den typen støv som oppstår ved denne bruken. Hvis du er utsatt for sterk støy over lengre tid, kan du miste hørselen.

k) Pass på at andre personer holder seg på sikker avstand fra arbeidsområdet ditt. Enhver person som går inn i arbeidsområdet må ha på seg personlig verneutstyr. Deler av arbeidsstykker eller verktøy som har brukket kan slynges rundt og forårsake skader utenfor det direkte arbeidsområdet.

l) Hold apparatet i de isolerte holdeflatene, når det arbeides på steder hvor elektroverktøyet kan treffe skjulte strømledninger eller verktøyet egen kabel. Kontakt med en ledning som er under spenning, kan også sette metalldele til apparatet under spenning og føre til et elektrisk slag.

m) Hold strømledningen unna roterende innsatsverktøy. Hvis du mister kontrollen over elektroverktøyet kan strømledningen kappes eller komme inn i verktøyet, og hånden eller armen din kan komme inn i det roterende innsatsverktøyet.

n) Legg aldri fra deg elektroverktøyet før verktøyet har stanset helt. Det roterende verktøyet kan komme i kontakt med underlaget, noe som kan medføre at du mister kontrollen over elektroverktøyet.

o) La aldri elektroverktøyet være innkoblet mens du bærer det. Tøyet ditt kan komme inn i det roterende innsatsverktøyet hvis det tilfeldigvis kommer i kontakt med verktøyet og innsatsverktøyet kan da bore seg inn i kroppen din.

p) Rengjør ventilasjonsåpningene til elektroverktøyet med jevne mellomrom. Motorriften trekker støv inn i huset, og en stor oppsamling av metallstøv kan medføre elektrisk fare.

q) Ikke benytt elektroverktøyet i nærheten av brennbare materialer. Gnister kan antenne disse materialene.

r) Ikke bruk verktøy som krever flytende kjølemidler. Bruk av vann eller andre flytende kjølemidler kan medføre elektrisk støt.

Ytterligere sikkerhetsinstruksjoner for kapping

Tilbakeslag og respektive sikkerhetsinstruksjoner:

Tilbakeslag er en plutselig reaksjon på grunn av en hekteende eller blokkerende dreierende slipeskive. En hekteing eller blokkering fører til at det dreierende verktøyet stopper brått. Derved blir et ukontrollert elektroverktøy fersert mot dreieretningen til det isatte verktøyet på det stedet hvor blokkeringen er.

Hvis f. eks. en slipeskive henger seg opp eller blokkerer i arbeidsstykket, kan kanten på slipeskiven som dykker inn i arbeidsstykket, henge seg opp og slik brette slipeskiven eller forårsaker et tilbakeslag. Slipeskiven beveger seg da mot eller bort fra brukeren, avhengig av skivens dreieretning på blokkeringsstedet. Slik kan slipeskiver også brette.

Et tilbakeslag er resultat av en gal eller feilaktig bruk av elektroverktøyet. Det kan unngås ved å følge egnede sikkerhetstiltak som beskrevet nedenstående.

a) Hold elektroverktøyet godt fast og plasser kroppen og armene dine i en stilling som kan ta imot tilbakeslagskrefter. Bruk alltid ekstrahåndtaket – hvis dette finnes – for å ha størst mulig kontroll over tilbakeslagskrefter eller reaksjonsmomenter ved oppkjøring. Brukeren kan beherske tilbakeslags- og reaksjonsmomentet med egnede tiltak.

b) Hold aldri hånden i nærheten av det roterende innsatsverktøyet. Innsatsverktøyet kan bevege seg over hånden din ved tilbakeslag.

c) Unngå området foran og bak den roterende kappeskiven. Et tilbakeslag driver elektroverktøyet i motsatt retning til retningen slipeskiven beveger seg på det stedet det blokkeres.

d) Vær spesielt forsiktig i hjørner, på skarpe kanter osv. Du må forhindre at innsatsverktøy avpelles fra arbeidsstykket eller klemmes fast. Det roterende innsat-

sverktøyet har en tendens til å klemmes fast i hjørner, på skarpe kanter eller hvis det avpelles. Dette forårsaker kontrolltap eller tilbakeslag.

e) Bruk ingen kjedeskiver eller tannhjul sagblad og heller ikke segmenterte diamantskiver med mer enn 10 mm brede splitter. Slike isatte verktøy forårsaker ofte et tilbakeslag eller tap av kontrollen over elektroverktøyet.

f) Unngå blokkering av kappeskiven eller for sterk presstrykk. Ikke utfør for dype snitt. En overbelastning av kappeskiven øker slitasjen og tendensen til fastkiling eller blokkering og dermed også muligheten til tilbakeslag eller brudd på slipeskiven.

g) Hvis kappeskiven blokkerer eller du avbryter arbeidet, slår du av elektroverktøyet og holder det rolig til skiven er stanset helt. Forsøk aldri å trekke den roterende kappeskiven ut av snittet, ellers kan det oppstå et tilbakeslag. Finn og fjern årsaken til blokkeringen.

h) Ikke start elektroverktøyet igjen så lenge det befinner seg i arbeidsstykket. La kappeskiven oppnå det maksimale turtallet før du fortsetter forsiktig med snittet. Ellers kan skiven henge seg opp, springe ut av arbeidsstykket eller forårsake tilbakeslag.

i) Støtt plater eller store arbeidsstykker for å redusere risikoen for tilbakeslag fra en fastklemt kappeskive. Store arbeidsstykker kan bøyes av sin egen vekt. Arbeidsstykket må støttes på begge sider, både nær kappesnittet og på kanten.

j) Vær spesielt forsiktig ved «inndykingsnitt» i vegger eller andre uoversiktelige områder. Den inntrengen av kappeskiven kan treffe på gass- eller vannledninger, elektriske ledninger eller gjenstander som kan forårsake tilbakeslag.

ARBEIDSSYSTEM MURNOTFRES - STØVSAMLER

Bruk murnotfresen bare med støvsamler av støvklasse M. Andre kombinasjoner fører dårligere støvopptak og adskillelse av støvet.

Instruksjoner for driften, for vedlikeholdet og for rengjøring av støvsamleren med filteret skal tas hensyn til. Når støvsamlerens beholder er full, skal den tømmes med en gang. Unngå å få knekk på innsugningsslangen.

Bruk bare den innsugningsslangen som er konstruert til dette. Ikke manipuler innsugningsslangen. Kommer det steinstykker i innsugningsslangen skal arbeidet stoppes og innsugningsslangen rengjøres med en gang.

Filteret skal rengjøres og skiftes ut i jevne mellomrom; ikke fjern filter/filterkomponenter.

Murnotfresen og kutteskive skal velges passende til undergrunnen. Produsenten tilbyr forskjellige kutteskiver alt etter undergrunnens materiale.

Bruk bare diamantbesatte kutteskiver. Segmenterte diamantskiver skal bare brukes ved negative kuttevinkler og der de som har maksimale sprekker på 10 med mellom segmentene .

Skift hhv. kvess kutteskivene hvis nødvendig. Når kutteeffekten forringes, kontroller om kutteskivene er slitte og må skiftes ut hhv. kvesses.

Startprosess og arbeidsforløp skal gjennomføres som beskrevet i bruksanvisningen.

ARBEIDSPASS

At de generelle kravene til arbeidsplasser på byggeplasser overholdes (tilstrekkelig belysning, unngå steder hvor man falle ol.) skal sikres. Vær oppmerksom på sikkerhetsinstruksene.

Sørg for god ventilasjon.

Det skal sikres at arbeidsfeltet er frigjort. Ved lengre noter må støvsamleren kunne føres fritt etter fresen hhv. kunne føres direkte etter den.

ARBEIDSORGANISASJON

Bruk hørselsvern, øyebeskyttere, pustevern og hvis nødvendig hansker. Som pustevern skal det minst brukes en partikkel filtrerende halvmaske klasse FFP2.

Bruk støvsamleren for å holde arbeidsplassen ren. Ikke virvle opp støvet ved å feie.

TRANSPORT, HÅNDTERING, LAGRING

Diamantkutteskiver skal behandles og transporteres svært forsiktig. Bruk hvis mulig den opprinnelige innpakningen eller en annen egnet forpakning.

Skivene skal i tørre omgivelser lagres slik at de ikke er utsatt mekaniske skader.

Beskytt kutteskivene mot slag, støt og skadelige miljømessige påvirkninger.

NETTILKOPLING

☐ Skal bare tilsluttes enfasevekselstrøm og bare til den på skiltet angitte nettspenning. Tilslutning til stikkontakter uten jordet kontakt er mulig fordi beskyttelse beskyttelsesklasse II er forhanden.

FORMÅLSMESSIG BRUK

Murnotfresen freser lednings- og kabelkanaler (murnoter/murslisser) i alle typer murverk ved hjelp av to paralleltstilte diamantkappeskiver.

Dette apparatet må kun brukes til de oppgitte formål.

Stikkontakter utendørs må være utstyrt med feilstrømsikkerhetsbryter (FI, RCD, PRCD). Dette forlanges av installasjonsforskriften for elektroanlegg. Vennligst følg dette når du bruker vårt apparat.

CE-SAMSVARERKLÆRING

Vi erklærer i alene ansvar at produktet beskrevet i "Teknisk data" overensstemmer med alle relevante forskrifter til Eu direktiv 2011/65/EU (RoHS), 2014/30/EU, 2006/42/EF og de følgende harmoniserte normative dokumentene.

EN 60745-1:2009 + A11:2010
EN 60745-2-22:2011 + A11:2013
EN 55014-1:2017
EN 55014-2:2015
EN 61000-3-2:2014
EN 61000-3-3:2013
EN 50581:2012

Winnenden, 2018-02-26

Alexander Krug
Managing Director



Autorisert til å utarbeide den tekniske dokumentasjonen

Techtronic Industries GmbH
Max-Eyth-Straße 10
71364 Winnenden
Germany

ARBEIDSHENVISNINGER

Ved overbelastning av motoren kobles maskinen ut automatisk. Etter avkjøling trykkes overbelastningsknappen inn igjen, og maskinen starter på nytt. Ved hyppig inn- og utkobling av overbelastningsvernet må skjæretrykk eller skjæredybde reduseres.

Den trinnløse reguleringen av skjærebredden gir den fordelten at rør og lignende som skal legges inn i veggen passer nøyaktig inn i slissen som skjæres, uten at de trenger å sikres mot å løsne vha. spiker e.l. Dette forutsetter at skjærebredden er stilt riktig.

Sløve diamantkappeskiver (kan gjenkjennes på den kraftige gnistutviklingen under arbeidet) slipes ved å foreta flere kutt i kalksandstein eller en spesiell slipestein.

Kutteskivene blir svært varme under arbeidet, ikke berør disse før de er avkjølt.

VEDLIKEHOLD

Hold alltid luftenåpningene på maskinen rene.

Bruk kun Milwaukee tilbehør og reservedeler. Komponenter der utskiftning ikke er beskrevet skal skiftes ut hos Milwaukee kundeservice (se brosjyre garanti/kundeserviceadresser).

Ved behov kan det fås en eksplosjonstegning av apparatet hos kundeservice eller direkte hos Techtronic Industries GmbH, Max-Eyth-Straße 10, 71364 Winnenden, Germany ved angivelse av maskinens type og det sekstallige nummeret på maskinens skilt.

SYMBOLER



OBS! ADVARSEL! FARE!



Trekk støpslet ut av stikkkontakten før du begynner arbeidet på maskinen.



Les nøye gjennom bruksanvisningen før maskinen tas i bruk.



Bruk alltid vernebrille når du arbeider med maskinen.



Bruk hørselsvern!



Til beskyttelse av luftveiene bruk minst en halvmaske av klasse FFP2.



Bruk vernehansker !



Tilbehør - inngår ikke i leveransen, anbefalt komplettering fra tilbehørsprogrammet.



Elektriske apparat skal ikke kastes sammen med vanlig husholdningsavfall. Elektriske og elektroniske apparat skal samles separat og leveres til miljøvennlig deponering til en avfall bedrift. Informer deg hos myndighetene på stedet eller hos din fagforhandler hvor det finnes recycling bedrifter oppsamlingssteder.



Elektroverktøy av verneklasse II. Elektroverktøy hvor beskyttelse mot elektrisk slag ikke bare er avhengig av basisisoleringen, men som også er avhengig av at tilleggs vernetiltak som dobbelt eller forsterket isolering blir brukt. Det finnes ingen innretning for tilkobling av en beskyttelsesleder.



CE-tegn



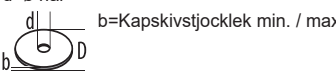
Regulatory Compliance Mark (RCM). Produktet oppfyller gjeldende forskrifter.



Nasjonalt Konformitetstegn Ukraina



EurAsian Konformitetstegn.

Tekniska data	WCS 45
Murspårräs	
Produktionsnummer	4632 81 03... 3930 04 04... ...000001-999999
Nominell upptagen effekt	1900 W
Märkvarvtal	6200 min ⁻¹
D=ø diamantkapskiva max. d=ø hål	150 mm 22,2 mm
 b=Kapskivstjocklek min. / max.	2,4 / 2,6 mm
Sågdjup	0-45 mm
Skårbredd	17-45 mm
Vikt enligt EPTA 01/2014	6,6 kg
Buller-/vibrationsinformation	
Mätvärdena har tagits fram baserade på EN 60 745. A-värdet av maskinens ljudnivå utgör:	
Ljudtrycksnivå (Onoggrannhet K=3dB(A))	99 dB(A)
Ljudeffektsnivå (Onoggrannhet K=3dB(A))	110 dB(A)
Använd hörselskydd!	
Totala vibrationsvärden (vektorsumma ur tre riktningar) framtaget enligt EN 60745.	
Vibrationsemissionsvärde a _n	6,5 m/s ²
Onoggrannhet K=	1,5 m/s ²

VARNING

Den i de här anvisningarna angivna vibrationsnivån har uppmätts enligt ett i EN 60745 normerat mätförfarande och kan användas vid jämförelse mellan olika elverktyg. Nivån är även lämplig att använda vid en preliminär bedömning av vibrationsbelastningen.

Den angivna vibrationsnivån representerar den huvudsakliga användningen av det aktuella elverktyget. Men om elverktyget ska användas i andra användningsområden, tillsammans med avvikande insatsverktyg eller efter otillräckligt underhåll, kan vibrationsnivån skilja sig. Det kan öka vibrationsbelastningen betydligt under hela arbetstiden.

För att få en exaktare bedömning av vibrationsbelastningen ska även den tid beaktas, under vilken elverktyget är avstängt eller är påslaget, utan att det verkligen används. Det kan reducera vibrationsbelastningen betydligt under hela arbetstiden.

Lägg som skydd för användaren fast extra säkerhetsåtgärder mot vibrationernas verkan, som till exempel: underhåll av elverktyg och insatsverktyg, varmhållning av händer och organisering av arbetsförlopp.

⚠ VARNING! Läs all säkerhetsinformation och alla anvisningar. Fel som uppstår till följd av att anvisningarna nedan inte följts kan orsaka elstöt, brand och/eller allvariga kroppsskador.

Förvara alla varningar och anvisningar för framtida bruk.

⚠ SÄKERHETSANVISNINGAR FÖR SLIP- OCH KAPMASKINER

a) Skyddsåpan som hör till elverktyget ska vara säkert monterad och så inställd, att man har maximal säkerhet, d.v.s. en så liten del av slipkroppen som möjligt ska öppet visa mot användaren. Se till att du själv och andra personer i närheten befinner sig utanför området där slipskivan roterar. Skyddsåpan ska skydda användaren mot delar som lossnar och mot oavsiktlig kontakt med slipkroppen.

b) Använd endast kapskivor med latent förstärkning eller med diamantbeläggning för ditt elverktyg. Bara för att det går att fästa en tillbehörssdel på ditt elverktyg innebär det inte att användningen är säker.

c) Det tillåtna varvtalet för insatsverktyget måste minst vara så högt som angivet högsta varvtal på elverktyget. Tillbehör som roterar snabbare än tillåtet, kan gå sönder och flyga omkring.

d) Slipkroppar får användas endast för rekommenderade arbeten. T. ex.: Slipa aldrig med kapskivans sidoyta. Kapskivor är avsedda för materialavverkning med skivans kant. Om tryck från sidan utövas mot slipkroppen kan den spricka.

e) Använd alltid felfria spännflänsar i rätt storlek för den valda kapskivan. Lämpliga flänsar stöder kapskivan och minskar risken för brott av kapskivan.

f) Använd inte nedslitna slipskivor från större elverktyg. Slipskivor för större elverktyg är inte konstruerade för de mindre elverktygens högre varvtal och kan därför spricka.

g) Insatsverktygets ytterdiameter och tjocklek ska överensstämma med måttuppgifterna för elverktyget. Ett felaktigt dimensionerat insatsverktyg kan inte avskämmas eller kontrolleras i tillräcklig utsträckning.

h) Slipskivor och flänsar måste passa exakt på slip-spindeln på ditt elverktyg. Insatsverktyg som inte passar exakt på elverktygets slipspindel roterar ojämnt, viberar mycket kraftigt och kan leda till att man förlorar kontrollen över elverktyget.

i) Använd inga slipskivor som är skadade på något sätt- Kontrollera innan varje användning om slipskivan är skadad eller har sprickor. Om elverktyget eller slipskivan skulle falla ner är det viktigt att kontrollera att varken verktyget eller slipskivan har tagit skada eller använd direkt en slipskiva som helt säkert inte är skadad. När du har kontrollerat slipskivan och satt fast den är det viktigt att se till att du själv och andra personer i närheten befinner sig utanför området där slipskivan roterar och låt sedan verktyget gå i en minut med max. varvtal. Skadade slipskivor går i regel sönder under denna testtid.

j) Använd personlig skyddsutrustning. Använd alltefter avsett arbete ansiktsskärm, ögonskydd eller skyddsglasögon. Om så behövs, använd dammfiltermask, hörselskydd, skyddshandskar eller skydds-

förkläde som skyddar mot små utslungade slip- och materialpartiklar. Ögonen ska skyddas mot utslungade främmande partiklar som kan uppstå under arbetet. Damm- och andningskydd måste kunna filtrera bort det damm som eventuellt uppstår under arbetet. Risk finns för hörselskada under en längre tids kraftigt buller.

k) Se till att andra personer håller ett säkert avstånd till ditt arbetsområde. Alla som närmar sig arbetsområdet måste bära personlig skyddsutrustning. Brottstycken från verktyget eller brutna insatsverktyg kan flyga iväg och orsaka personskador även utanför arbetsområdet.

l) Håll fast apparaten med hjälp av de isolerade greppytorna när du utför arbeten där arbetsverktyget skulle kunna träffa på dolda elledningar eller kablar. Om man kommer i kontakt med en spänningsförande ledning, så kan även de delar på verktyget som är av metall bli spänningsförande och leda till att man får en elektrisk stöt.

m)Håll nätsladden på avstånd från roterande insatsverktyg. Om du förlorar kontrollen över elverktyget kan nätsladden kapas eller dras in varvid risk finns för att din hand eller arm dras mot det roterande insatsverktyget.

n) Lägg aldrig ifrån dig elverktyget förrän insatsverktyget är helt stillastående. Det roterande insatsverktyget kan komma i kontakt med underlaget och du kan då förlora kontrollen över elverktyget.

o) Elverktyget får inte rotera när det bärs. Kläder kan vid tillfällig kontakt med det roterande insatsverktyget dras in varvid insatsverktyget dras mot din kropp.

p) Rengör regelbundet elverktygets ventilationsöppningar. Motorfläkten drar in damm i huset och en kraftig anhopning av metalldamm kan orsaka farliga elströmmar.

q) Använd aldrig elverktyget i närheten av brännbara material. Gnistor kan antända detta material.

r) Använd inte insatsverktyg som kräver kylvätska. Användningen av vatten eller andra flytande kylmedel kan leda till elektriska stötar.

Ytterligare säkerhetsanvisningar för användningen av kapskivor

Bakslag och motsvarande säkerhetsanvisningar

Ett kraftigt bakslag är en plötslig reaktion om en roterande slipskiva har kommit i kläm. Detta leder till att det roterande insatsverktyget stoppar omedelbart, vilket i sin tur leder till elverktyget som man då inte längre har under kontroll accelererar mot insatsverktygets rotationsriktning på stället där det har kommit i kläm.

Om t. ex. en slipskiva hakar upp sig eller blockerar i arbetsstycket kan slipskivans kant i arbetsstycket klämmas fast varvid slipskivan bryts sönder eller orsakar bakslag. Slipskivan rör sig nu mot eller bort från användaren beroende på skivans rotationsriktning vid inklämningsstället. Härvid kan slivskivor även brista.

Bakslag uppstår till följd av missbruk eller felaktig hantering av elverktyget. Detta kan undvikas genom skyddsåtgärder som beskrivs nedan.

a) Håll stadigt i elverktyget samt kroppen och armarna i ett läge som är lämpligt för att motstå bakslagskrafter. Använd alltid stödhandtaget för bästa möjliga kontroll av bakslagskrafter och reaktionsmoment vid start. Användaren kan genom lämpliga försiktighetsåtgärder bättre behärska bakslags- och reaktionskrafterna.

b) Håll alltid handen på betryggande avstånd från det roterande insatsverktyget. Insatsverktyget kan vid ett bakslag gå mot din hand.

c) Undvik att uppehålla dig i området framför och bakom den roterande kapskivan. Elverktygets bakslag gör att det rör sig i motsatt riktning till slipskivans rörelseriktning på stället där verktyget har kommit i kläm.

d) Var särskilt försiktig vid bearbetning av hörn, skarpa kanter osv. Håll emot så att insatsverktyget inte studsar ut från arbetsstycket eller kommer i kläm. På hörn, skarpa kanter eller vid studsning tenderar det roterande insatsverktyget att komma i kläm. Detta kan leda till att kontrollen förloras eller att bakslag uppstår.

e) Använd inget kedjesågblad eller sågblad med kuggar och ingen segmenterad diamantskiva med spår som är mer än 10 mm breda. Sådana insatsverktyg leder ofta till bakslag eller till att man förlorar kontrollen över elverktyget.

f) Se till att kapskivan inte kommer i kläm och att den inte utsätts för högt mottryck. Försök inte skära för djupt. Om kapskivan överbelastas ökar dess påfrestning och risk finns för att den snedvidris eller blockerar som sedan kan resultera i bakslag eller slippkroppsbrott.

g) Om kapskivan kommer i kläm eller arbetet avbryts, koppla från elverktyget och håll det lugnt tills skivan stannat fullständigt. Försök aldrig dra ut en roterande kapskiva ur skårspåret då detta kan leda till bakslag. Lokalisera och åtgärda orsaken för inklämning.

h) Koppla inte åter på elverktyget om det sitter i arbetsstycket. Låt kapskivan uppnå fullt varvtal innan den försiktigt förs in i skårspåret för fortsatt kaping. I annat fall kan skivan haka upp sig, hoppa ur arbetsstycket eller orsaka bakslag.

i) För att reducera risken för ett bakslag till följd av inklämd kapskiva ska skivor och andra stora arbetsstycken stödas. Stora arbetsstycken kan böjas ut till följd av hög egenvikt. Arbetsstycket måste därför stödas på båda sidorna både i närheten av skårspåret och vid kanten.

j) Var speciellt försiktig vid "fickkaping" i dolda områden som t. ex. i en färdig vägg. Där risk finns att kapskivan kommer i kontakt med gas- eller vattenledningar, elledningar eller andra föremål som kan orsaka bakslag.

ARBETSSYSTEM MURFOGFRÄS - DAMMUPPSUGNING

Använd murfogfräsen endast tillsammans med dammuppsugningsanordning för dammklass M. Andra kombinationer kan leda till sämre uppsamling och uppsugning av dammet.

Beakta anvisningarna om drift, underhåll och rengöring av dammuppsugningen inklusive filtern. Töm dammuppsamlingsbehållaren omedelbart när den är full.

Använd endast den avsedda insugningsslangen. Manipulera inte insugningsslangen. Om stenbrut kommer in i insugningsslangen, avbryt arbetet och gör omedelbart rent insugningsslangen. Undvik att knäcka insugningsslangen.

Rengör och byt ut filter regelbundet, avlägsna inga filter/filterkomponenter.

Välj murfogfräs och kapklingor som passar till underlaget. Tillverkarna erbjuder olika kapklingor beroende på underlag.

Använd endast diamantbesatta kapklingor. Segmenterade diamantklingor får endast uppvisa negativa skärvinklar och mellanrum på maximalt 10 mm mellan segmenten.

Byt ut eller slipa kapklingor i god tid. Om kapeffekten minskar, kontrollera om kapklingorna är slitna och måste bytas ut eller slipas.

Utför nedsugning och arbetsförloppet på det sätt som beskrivs i bruksanvisningen.

ARBETSPLATS

Det måste säkerställas att allmänna krav på arbetsplatser på byggplatser (tillräcklig belysning, undvikande av fallrisker, etc.) uppfylls. Beakta säkerhetsanvisningar.

Säkerställ en bra ventilation.

Håll arbetsområdet rent och utan hinder. Vid längre fogar/ spår måste dammuppsugningen kunna förflyttas fritt och/ eller följa direkt bakom den.

ARBETSORGANISATION

Använd hörselskydd, andningsskydd och vid behov även skyddshandskar. Använd minst en halvmask som filtrerar bort partiklar och uppfyller kraven i klass FFP2.

Använd dammuppsugningen för att göra rent arbetsplatsen. Virvla inte upp damm genom att sopa.

TRANSPORT, HANTERING, LAGRING

Diamantkapklingsor måste hanteras och transporteras varsamt. Använd om möjligt originalförpackningen eller en annan lämplig förpackning.

Klingorna måste lagras på en torr plats på ett sådant sätt att de inte utsätts för mekaniska skador.

Skydda kapklingsorna mot slag, stötar och skadlig miljöpåverkan.

NÄTANSLUTNING

Får endast anslutas till 1-fas växelström och till den spänning som anges på dataskylten. Anslutning kan även ske till eluttag utan skyddskontakt, eftersom konstruktionen motsvarar skyddsklass II.

ANVÄND MASKINEN ENLIGT ANVISNINGARNA

Murspårfräsen fräser spår (murspår) för ledningar och kablar med två parallella diamantkapskivor i alla typer av murverk.

Maskinen får endast användas för angiven tillämpning.

Anslut alltid verktyget till via en felströmbrytare (FI, RCD, PRCD) vid användning utomhus.

CE-FÖRSÄKRAN

Vi intygar och ansvarar för att den produkt som beskrivs under "Tekniska data" överensstämmer med alla relevanta bestämmelser i direktiv 2011/65/EU (RoHS), 2014/30/EU, 2006/42/EG och följande harmoniserade normerande dokument:

EN 60745-1:2009 + A11:2010
EN 60745-2-22:2011 + A11:2013
EN 55014-1:2017
EN 55014-2:2015
EN 61000-3-2:2014
EN 61000-3-3:2013
EN 50581:2012

Winnenden, 2018-02-26

Alexander Krug
Managing Director



Befullmäktigad att sammanställa teknisk dokumentation.

Techtronic Industries GmbH
Max-Eyth-Straße 10
71364 Winnenden
Germany

HANTERING- ANVISNING

Om motorn överbelastas stängs den av automatiskt. Efter avkyllning tryck på överbelastningsknappen igen och starta maskinen. Om överbelastningskyddet ofta stänger av maskinen, minska skärtryck eller skärdjup.

Den steglösa justeringen har den fördelen att rör eller liknande kan läggas in i ett exakt anpassat spår och behöver inte säkras extra med spik eller annat för att ligga kvar.

Slöa diamantkapskivor (känns igenom den starka gnistbildningen under arbetet) kan skärpas genom flera skärningar i kalksandsten eller en speciell brynsten.

Kapskivorna blir under arbetet mycket heta; berör dem inte innan de svalnat.

SKÖTSEL

Se till att motorhöljets luftslitsar är rena.

Använd endast Milwaukee tillbehör och reservdelar. Byggsdelar vars utbyte ej beskrivs utväxlas bäst av Milwaukee auktoriserad serviceverkstad. (beakta broschyrer Garanti/Kundtjänstadresser).

Vid behov kan du rekvidrera apparatens sprängkiss antingen hos kundservice eller direkt hos Techtronic Industries GmbH, Max-Eyth-Straße 10, 71364 Winnenden, Germany. Du ska då ange maskintypen och numret på sex siffror som står på effektskylten.

SYMBOLER



OBSERVERA! VARNING! FARA!



Drag alltid ur kontakten när du utför arbeten på maskinen.



Läs instruktionen noga innan du startar maskinen.



Använd alltid skyddsglasögon.



Använd hörselskydd!



Använd partikelfiltrerande halvmask klass FFP2 eller bättre som andningsskydd.



Bär skyddshandskar!



Tillbehör - Ingår ej i leveransomfånget, erhålles som tillbehör.



Elektriska maskiner och elverktyg som kasseras får inte slängas tillsammans med de vanliga hushållssoporna. Elektriska maskiner och verktyg samt elektronisk utrustning som kasseras ska samlas separat och lämnas till en avfallsstation för miljövänlig avfallshantering. Kontakta den lokala myndigheten respektive kommunen eller fråga återförsäljare var det finns speciella avfallsstationer för elskrot.



Elverktyg skyddsklass II. Elverktyg hos vilket skyddet mot elstötar inte bara är avhängigt av basisoleringen utan också av att det finns extra skyddsåtgärder, som en dubbel isolering eller en förstärkt isolering. Det finns ingen anordning för anslutning av en skyddsledare.



CE-symbol



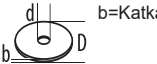
Regulatory Compliance Mark (RCM). Produkten uppfyller kraven i de gällande föreskrifterna.



Nationell symbol för överensstämmelse Ukraine



EurAsian överensstämmelsesymbol.

Tekniset arvot	WCS 45
Urajyrin	
Tuotantonumero	4632 81 03... 3930 04 04... ...000001-999999
Nimellinen teho	1900 W
Nimellinen kierrosluku	6200 min ⁻¹
D=Timanttikatkaisulaikka-ø max. d=porausreikä-ø	150 mm 22,2 mm
 b=Katkaisulaikan paksuus min. / max.	2,4 / 2,6 mm
Leikkaussyvytydet	0-45 mm
Jyrsintäleveys	17-45 mm
Paino EPTA-menettelyn 01/2014 mukaan	6,6 kg
Melunpäästö- /tärinätiedot Mitta-arvot määritetty EN 60 745 mukaan. Koneen tyyppillinen A-luokitettu melutaso: Melutaso (Epävarmuus K=3dB(A)) Äänenvoimakkuus (Epävarmuus K=3dB(A))	99 dB(A) 110 dB(A)
Käytä kuulosuojaimia! Värähtelyn yhteisarvot (kolmen suunnan vektorisummitattuna EN 60745 mukaan. Värähtelyemissioarvo a _n Epävarmuus K=	6,5 m/s ² 1,5 m/s ²

VAROITUS

Näissä ohjeissa mainittu värähtelytaso on mitattu EN 60745 -standardin mukaisella mittausmenetelmällä ja sitä voidaan käyttää sähkötyökalujen vertaamiseen. Sitä voidaan käyttää myös värähtelyrasituksen väliaikaiseen arviointiin.

Mainittu värähtelytaso edustaa sähkötyökalun pääasiallista käyttöä. Jos sähkötyökalua kuitenkin käytetään muihin tehtäviin, poikkeavin työkaluin tai riittämättömästi huoltaen, värähtelytaso voi olla erilainen. Se voi korottaa värähtelyrasitusta koko työajan osalta.

Tarkan värähtelyrasituksen toteamiseen tulee ottaa huomioon aika, jona laite on kytketty pois tai on kylläkin päällä, mutta ei käytössä. Se voi pienentää värähtelyrasitusta koko työajan osalta.

Määrittele lisäsuojatoimenpiteitä käyttäjän suojaamiseksi värinoiden vaikutukselta, kuten esimerkiksi: sähkötyökalujen ja käyttötyökalujen huolto, käsien lämpiminä pitäminen, työvaiheiden organisaatio.

VAROITUS! Lue kaikki turvallisuusmääräykset ja ohjeet. Turvallisuusohjeiden noudattamisen laiminlyönti saattaa johtaa sähköiskuun, tulipaloon ja/tai vakavaan loukkaantumiseen. Säilytä kaikki turvallisuus- ja muut ohjeet tulevaisuutta varten.

KATKAISULAIIKKA-HIOMAKONEIDEN TURVALLISUUSMÄÄRÄYKSET

a) Sähkötyökaluun kuuluva suojakupu tulee kiinnittää pitävästi ja säätää se niin, että saavutetaan suurin mahdollinen turvallisuus, ts. vain pienin mahdollinen katkaisuvälineen osa näyttää suojaamatta käyttäjään. Pysytte itse ja pidä muut lähistöllä olevat henkilöt pyörivän katkaisulaikan tason ulkopuolella. Suojakuvun tulee suojata käyttäjää hiomavälineen palasilta ja satunnaiselta kontaktilta siihen.

b) Käytä tässä sähkötyökalussa ainoastaan sidottuja vahvistettuja tai timanttiarmeerattuja katkaisulaikkoja. Se, että voit kiinnittää varusteen sähkötyökaluusi, ei takaa sen turvallista käyttöä.

c) Käyttötyökalun sallitun kierrosluvun täytyy olla vähintään yhtä korkea kuin sähkötyökalulla ilmoitettu korkein kierrosluku. Sallittua nopeammin pyörivät lisävarusteet voivat rikkoutua ja lentää ympäriinsä.

d) Hiomatyökaluja saa käyttää ainoastaan siihen käyttöön mihin niitä suositellaan. Esim.: Älä koskaan tuo hiomalaikan sivupintaa käyttäen. Hiomalaikat on tarkoitettu hiontaan laikan ulkokehällä. Sivuttain kohdistuva voima saattaa murtaa hiomalaikan.

e) Käytä aina vahingoittumattomia oikean kokoisia kiristyslaippoja valitsemallesi katkaisulaikalke. Sopivat laipat tukevat katkaisulaikkaa ja vähentävät siten katkaisulaikan murtumisvaaraa.

f) Älä käytä isompiin sähkötyökaluihin kuuluneita kuluneita hiomalaikkoja. Suurempien sähkötyökalujen hiomalaikat eivät sovellu pienempien sähkötyökalujen suuremmille kierrosluvuille, ja ne voivat murtua.

g) Käyttötyökalun ulkohalkaisijan ja paksuuden täytyy vastata sähkötyökalun mittatietoja. Väärin mitoitettuja käyttötyökaluja ei voida suojata tai kontrolloida riittävästi.

h) Hiomalaikkojen ja laipan tulee sopia tarkalleen sähkötyökalusi karaan. Vaihdotyökalu, jonka eivät sovi tarkalleen sähkötyökalun hiomakaraan, pyörivät epäkeskoisesti, tärisevät voimakkaasti ja saattavat aiheuttaa hallinnan menetyksen.

i) Älä käytä vahingoittuneita hiomalaikkoja. Tarkasta ennen joka käyttöä, ettei hiomalaikoissa ole lohkeamia tai repeämiä. Jos sähkötyökalu tai hiomalaikka pääsee putoamaan, tarkasta, onko se vahingoittunut, tai käytä vahingoittumatonta hiomalaikkaa. Kun olet tarkastanut hiomalaikan ja pannut sen paikalleen, pysytte lähellä olevien henkilöiden kera pyörivän hiomalaikan tason ulkopuolella ja anna laitteen käydä minuutin ajan suurimmalla kierrosluvulla. Vahingoittuneet hiomalaikat särkyvät useimmiten tämän koestusajan kuluessa.

j) Käytä henkilökohtaisia suojavarusteita. Käytä käytöstä riippuen kokokasvonaamiota, silmäsuojusta tai suojalaseja. Jos mahdollista, käytä polynaamaria, kuulonsuojainta, suojakäsineitä tai erikoissuojavaatteita.

ta, joka suoja sinut pieniltä hioma- ja materiaalihiukkasilta. Silmät tulee suojata lenteleviltä vierailta esineiltä, jotka saattavat syntyä erilaisessa käytössä. Pöly- tai hengityssuojanaamareiden täytyy suodattaa pois työstössä syntyvä pöly. Jos olet pitkään alltiina voimakkaalle melulle, saattaa se vaikuttaa heikentävästi kuuloon.

k) Huolehdi siitä, että muut henkilöt ovat turvallisen välimatkan päässä työalueestasi. Jokaisen, joka astuu työalueelle, täytyy käyttää henkilökohtaisia suojavarusteita. Työstettävän kappaleen tai rikkoutuneiden käyttötyökalujen irtomaiset palat voivat lentää ympäriinsä ja aiheuttaa loukkaantumisia myös varsinaisen työalueen ulkopuolella.

l) Pitele laitetta vain eristetyistä tarttumapinnoista, kun suoritat sellaisia töitä, joissa leikkaustyökalu saattaa osua piilossa oleviin sähköjohtoihin tai omaan liitäntäjohtoon. Leikkaustyökalun yhteys jännitteelliseen johtoon saattaa tehdä laitteen metalliset osat jännitteelliseksi ja aiheuttaa sähköiskun.

m) Pidä verkkojohto poissa pyörivistä vaihtotyökaluista. Jos menetät sähkötyökalun hallinnan, saattaa verkkojohto tulla katkaistuksi tai tarttua kiinni ja vetää kätesi tai käsivartesi kiinni pyörivään vaihtotyökaluun.

n) Älä koskaan laske sähkötyökalua pois, ennen kuin käyttötyökalu on pysähtynyt täydellisesti. Pyörivä käyttötyökalu voi joutua kosketuksiin laskeutumispinnan kanssa, minkä seurauksena voit menettää sähkötyökalun hallinnan.

o) Älä koskaan pidä sähkötyökalua käynnissä sitä kantaessasi. Vaatteesi voi hetkellisen kosketuksen seurauksena tarttua kiinni pyörivään vaihtotyökaluun, joka saattaa porautua kehoosi.

p) Puhdista sähkötyökalusi tuuletusaukot säännöllisesti. Moottorin tuuletin imee pölyä työkalun koteloon, ja voimakas metallipölyn kasautuma voi synnyttää sähköisiä vaaratilanteita.

q) Älä käytä sähkötyökalua helposti palavien materiaalien läheisyydessä. Kipinät voivat sytyttää nämä materiaalit.

r) Älä ota käyttöön työkaluja, jotka vaativat neste-mäisiä jäähdytysaineita. Veden tai muiden nestemäisten jäähdytysaineiden käytöstä voi olla seurauksena sähköisku.

Katkaisuhiomasovellusten täydentävät turvallisuusohjeet

Takaisku ja vastaavat turvaohjeet

Takaisku on kiinnitarttuvia tai juuttuneen pyörivän hiomalaikan äkillinen reaktio. Kiinnitarttuminen tai juuttuminen aiheuttaa pyörivän vaihtotyökalun äkillisen pysähtymisen. Tästä aiheutuu hallitsemattoman sähkötyökalun kiihtyminen juuttumiskohdalla liitetyn työkalun kiertosuunnan vastaiseen suuntaan.

Jos esim. hiomalaikka tarttuu tai joutuu puristukseen työkalupaleeseen, saattaa hiomalaikan reuna, joka on upponut työkalupaleeseen, juuttua kiinni aiheuttaen hiomalaikan ponnahduksen ulos työkalupaleesta tai aiheuttaa takaiskun. Hiomalaikka liikkuu silloin käyttävää henkilöä vasten tai pois päin hänestä, riippuen laikan kiertosuunnasta tarttumakohdassa. Tällöin hiomalaikka voi myös murtua.

Takaisku johtuu sähkötyökalun väärinkäytöstä tai käytöstä väärään tarkoitukseen. Se voidaan estää sopivin varotoimin, joita selostetaan seuraavassa.

a) Pitele sähkötyökalua tukevasti ja saata kehosi ja käsivartesi asentoon, jossa pystyt vastaamaan takaiskuvoiniin. Käytä aina lisäkäsivartea, jos sinulla on sellainen, jotta pystyisit parhaalla mahdollisella tavalla hallitsemaan takaiskuvoinia tai vastamomentteja työkalun ryntäkäynnissä. Käyttävä henkilö pystyy hallitsemaan takaiskuja vastamomenttivoimat noudattamalla sopivia suojatoimenpiteitä.

b) Älä koskaan tuo kättäsi lähelle pyörivää vaihtotyökalua. Vaihdotyökalu saattaa takaiskun sattuessa liikkua kätesi yli.

c) Vältä aluetta pyörivän katkaisulaikan edessä ja takana. Takapotku painaa sähkötyökalua vastapäiseen suuntaan kuin hiomalaikan liike juuttumiskohdassa.

d) Työskentele erityisen varovasti kulmien, terävien reunojen jne. alueella, estä vaihtotyökalua ponnahtamasta takaisin työkalupaleesta ja juuttumasta kiinni. Pyörivällä vaihtotyökalulla on taipumus juuttua kiinni kullmissa, terävissä reunoissa tai saadessaan kimmokkeen. Tämä johtaa hallinnan pettämiseen tai takaiskuun.

e) Älä käytä mitään ketju- tai hammastettua sahanterää tai mitään segmentoitua timanttilaikkaa, jonka raot ovat yli 10 mm leveät. Nämä vaihtotyökalut aiheuttavat useasti takapotkuja tai sähkötyökalun hallinnan menetyksen.

f) Vältä katkaisulaikan juuttumista kiinni ja liian suurta syöttöpainetta. Älä tee liian syviä leikkauksia. Katkaisulaikan ylikuormitus kasvattaa sen rasitusta ja sen alltiutta kallistua tai juuttua kiinni ja siten takaiskuun ja laikan murtumisen mahdollisuutta.

g) Jos katkaisulaikka joutuu puristukseen tai keskeytät työn, tulee sinun pysäyttää sähkötyökalu ja pitää se rauhallisesti paikoillaan, kunnes laikka on pysähtynyt. Älä koskaan koeta poistaa vielä pyörivää katkaisulaikkaa leikkauksesta, se saattaa aiheuttaa takaiskun. Määrittele ja poista puristukseen joutumisen syy.

h) Älä käynnistä sähkötyökalua uudelleen, jos laikka on kiinni työkalupaleesta. Anna katkaisulaikan ensin saavuttaa täysi kierroslukunsa, ennen kuin varovasta jatkat leikkausta. Muussa tapauksessa saattaa laikka tarttua kiinni, ponnahtaa ulos työkalupaleesta tai aiheuttaa takaiskun.

i) Tue litteät tai isot työkalupaleet, katkaisulaikan puristuksen aiheuttaman takaiskuvan minimoimiseksi. Suuret työkalupaleet voivat taipua oman painonsa takia. Työkalupaleita tulee tukea molemmilta puolilta, sekä katkaisuleikkauksen vierestä, että reunoista.

j) Ole erityisen varovainen upotusleikkauksissa seinäin tai muihin alueisiin, joiden taustaa tai rakennetta et pysty näkemään. Upoava katkaisulaikka saattaa aiheuttaa takaiskun osuessaan kaasutai vesiputkiin, sähköjohtoihin tai muihin kohteisiin.

KÄYTTÖYHDISTELMÄ MUURIURANJYRSIN - PÖLYNPOISTOLAITE

Käytä muuriuranjyrsintä vain pölyluokan M pölynpoistolaitteen kera. Muut yhdistelmät voivat aiheuttaa huonomman pölyjen keräys- ja erotustuloksen.

Noudata pölynpoistolaitteen ja suodattimen käytöstä, huollosta ja puhdistamisesta annettuja ohjeita. Tyhjennä pölysäiliöt aina heti kun ne ovat täynnä.

Käytä vain laitteelle tarkoitettua imuletua. Älä tee imuletukun muutoksia. Jos imuletukun pääsee kivimöykkyjä, keskeytä työskentely ja puhdista imuletukun heti. Vältä laitteiden muodostumista imuletukun.

Puhdista ja vaihda suodattimet säännöllisin väliajoin, älä poista suodattimia tai niiden osia.

Valitse muuriuranjyrsimen terä ja katkaisulaikat työstettävän pohjan mukaan. Vastastajat tarjoavat erilaisia katkaisulaikkoja eri materiaaleille.

Käytä ainoastaan timanttiarmeerattuja katkaisulaikkoja. Segmentoitujen timanttilaikkojen leikkauskulman täytyy olla negatiivinen ja segmenttien väliset raot saavat olla enintään 10 mm leveitä.

Vaihda tai teroit katkaisulaikat riittävän ajoissa. Tarkasta leikkaustehon vähetessä, ovatko katkaisulaikat kuluneet ja tarvitseeko ne vaihtaa tai teroitaa.

Uranjyrsimisen alltoaminen ja työnkulku suoritetaan käyttöohjeen mukaisesti.

TYÖSKENTELYALUE

Varmista, että työmaan työpaikkoja koskevia yleisiä vaatimuksia noudatetaan (riittävä valaistus, putoamisen ehkäiseminen jne.). Noudata turvallisuusmääräyksiä.

Huolehdi hyvästä tuuletuksesta.

Varmista, että työskentelyalue on esteetön. Pitemmän uranleikkauksen aikana pölynpoistolaitetta tulee voida kuljettaa vapaasti mukana tai siirtää ajoissa perässä.

TYÖN ORGANISOINTI

Käytä kuulosuojaimia, silmäsuojaimia, hengityssuojaimia ja tarvittaessa käsineitä. Käytä hengityssuojaimena vähintään luokan FFP2 hiukkassuodattavaa puolinaamaria.

Käytä pölynpoistolaitetta työskentelyalueen puhdistamiseen. Älä pölytä kertynyttä pölyä ilmaan lakaisemalla.

KULJETUS, KÄSITTELY, VARASTOINTI

Timanttikatkaisulaikkoja tulee käsitellä ja kuljettaa varoen. Mikäli mahdollista, käytä alkuperäispakkausta tai muuta sopivaa pakkausta.

Laikat tulee säilyttää kuivassa tilassa siten, että niihin ei kohdistu mekaanista rasitusta.

Suojaa katkaisulaikat iskuilta, töytäisyyiltä ja vahingollisilta ympäristötekijöiltä.

VERKKOLIITÄNTÄ

Yhdistä ainoastaan tasavirtalähteeseen, jonka volttimäärä on sama kuin levyssä ilmoitettu. Myös liittämisen maadoittamattomiin pistokkeisiin on mahdollista, sillä muotoilu on yhdenmukainen turvallisuusluokan II kanssa.

TARKOITUKSEN MUKAINEN KÄYTTÖ

Urajyrsimellä jyrsitään kaikenlaisiin tiiliseiniin uria putkia ja kaapeleita varten. Jyrsintä tapahtuu kahdella vierekkäisellä timanttilaikalla.

Älä käytä tuotetta ohjeiden vastaisesti.

Ulkokäytössä olevat pistorasiat on varustettava vikavirta-suojajyrsimillä (FI, RCD PRCD) sähkölaitteistosi asennusmääräyksen mukaisesti. Muista tarkistaa, että laite liitetään ulkokäytössä ulkopistorasiaan ja neuvottele asiasta sähköasentajasi kanssa.

TODISTUS CE-STANDARDIN MUKAISUUDESTA

Vakuutamme yksinvastuullisesti, että kohdassa "Tekniset tiedot" kuvattu tuote vastaa kaikkia sitä koskevia direktiivien 2011/65/EU (RoHS), 2014/30/EU, 2006/42/EY määräyksiä sekä seuraavia harmonisoituja standardisoivia asiakirjoja:

EN 60745-1:2009 + A11:2010
EN 60745-2-22:2011 + A11:2013
EN 55014-1:2017
EN 55014-2:2015
EN 61000-3-2:2014
EN 61000-3-3:2013
EN 50581:2012

Winnenden, 2018-02-26



Alexander Krug
Managing Director



Valtuutettu kokoamaan tekniset dokumentit.

Techtronic Industries GmbH
Max-Eyth-Straße 10

71364 Winnenden
Germany

KÄYTTÖVIHJEITÄ

Kone pysähtyy automaattisesti moottoria ylikuormitettaessa. Anna sen jäähtyä, paina ylikuormannappia ja käynnistä kone uudelleen. Mikäli ylikuormasuojalaite laukeaa toistuvasti, vähennä kuormitusta tai jyräytä syvyyttä.

Jyrsintälevyiden säädön tarkkuus merkitsee sitä, että ura voidaan työstää täsmälleen sopivan levyiseksi, upotettavaa putkea tms varten. Putki tai kaapeli sopii silloin uraan tarkalleen, eikä siten muuta kiinnitystä kaipaa kuten esim. naulamista.

Tylsäksi kulunut timanttilaikka (teroitustarpeen voi havaita käytön yhteydessä tapahtuvasta kipinöinnistä) on teroitettava tekemällä useita leikkauksia kalkkipitoiseen hiekkakiveen tai erityiseen teroituskiveen.

Katkaisulaikat kuumenevat kovasti työskentelyn aikana; älä kosketa niitä ennen kuin ne ovat jäähtyneet.

HUOLTO

Pidä moottorin ilmanottoaukot puhtaina.

Käytä vain Milwaukee: n lisälaitteita ja varaosia. Käytä ammattitaitoisten Milwaukee-huoltosopimusliikkeiden palveluja muiden kuin käyttöohjeessa kuvattujen osien vaihdossa. (esite takuu/huoltoliikeluettelo).

Tarvittaessa voit pyytää laitteen räjähdyspiirustuksen ilmoittaen konetyypin ja tyypikilvessä olevan kuusinumeroisen luvun huoltopalvelustasi tai suoraan osoitteella Techtronic Industries GmbH, Max-Eyth-Strasse 10, 71364 Winnenden, Saksa.

SYMBOLIT



HUOMIO! VAROITUS! VAARA!



Irrota aina pistotulppa seinäkoskettimesta ennen koneeseen tehtäviä toimempiteitä.



Lue käyttöohjeet huolellisesti, ennen koneen käynnistämistä.



Käytä laitteella työskennellessäsi aina suojalaseja.



Käytä kuulosuojaimia!



Hengityselinten suojana tulee käyttää vähintään luokan FFP2 hiukkassuodatin-puolinaamaria.



Käytä suojakäsineitä!



Lisälaitte - Ei sisälly vakiovarustukseen, saatavana lisätarvikkeena.



Sähkölaitteita ei saa hävittää yhdessä kotitalousjätteiden kanssa. Sähkö- ja elektroniset laitteet tulee kerätä erikseen ja toimittaa kierrätysliikkeeseen ympäristöystävällistä hävittämistä varten. Pyydä paikallisilta viranomaisilta tai alan kauppiailta tarkemmat tiedot kierrätyspisteistä ja keräyspaikoista.



Suojaluokan II sähkötyökalu. Sähkötyökalu, jonka sähköiskun suojaus ei ole riippuvainen ainoastaan peruseristyksestä, vaan myös siitä, että käytetään lisäturvatoimia, kuten kaksinkertaista eristystä tai vahvistettua eristystä. Laitteessa ei ole suojajohtimen liittämiseen tarvittavia varusteita.



CE-merkki



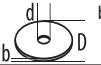
Regulatory Compliance Mark (RCM). Tuote on pätevien ohjesääntöjen mukainen.



Kansallinen standardin mukaisuusmerkki Ukraina



EurAsian vaatimusten mukaisuusmerkki.

Τεχνικά στοιχεία ΦΡΕΖΑ ΑΥΛΑΚΩΣΕΩΝ ΤΟΙΧΩΝ	WCS 45
Αριθμός παραγωγής	4632 81 03... 3930 04 04... ...000001-999999
Όνομαστική ισχύς	1900 W
Όνομαστικός αριθμός στροφών	6200 min ⁻¹
D=Μεγ. Διάμετρος διαμαντόδισκου κοπής d=διάμετρος οπής	150 mm 22,2 mm
 b=Πάχος δισκου κοπής ελάχιστος / μέγιστος	2,4 / 2,6 mm
Μέγιστο βάθος κοπής	0-45 mm
Πλάτος τομής	17-45 mm
Βάρος σύμφωνα με τη διαδικασία EPTA 01/2014	6,6 kg
Πληροφορίες θορύβου/δονήσεων Τιμές μέτρησης εξακριβωμένες κατά EN 60 745. Η σύφωνα με την καμπύλη A εκτιμηθείσα στάθμη θορύβου του μηχανήματος αναφέρεται σε: Στάθμη ηχητικής πίεσης (Ανασφάλεια K=3dB(A)) Στάθμη ηχητικής ισχύος (Ανασφάλεια K=3dB(A)) Φοράτε προστασία ακοής (ωτασπίδες)! Υλικές τιμές κραδασμών (άθροισμα διανυσμάτων τριών διευθύνσεων) εξακριβώθηκαν σύμφωνα με τα πρότυπα EN 60745. Τιμή εκπομπής δονήσεων a _h Ανασφάλεια K=	99 dB(A) 110 dB(A) 6,5 m/s ² 1,5 m/s ²

ΠΡΟΕΙΔΟΠΟΙΗΣΗ

Το αναφερόμενο σ' αυτές τις οδηγίες επίπεδο δονήσεων έχει μετρηθεί με μια τυποποιημένη σύμφωνα με το EN 60745 μέθοδο μέτρησης και μπορεί να χρησιμοποιηθεί για τη σύγκριση των ηλεκτρικών εργαλείων μεταξύ τους. Αυτό είναι επίσης κατάλληλο για μια προσωρινή εκτίμηση της επιβάρυνσης των δονήσεων.

Το αναφερόμενο επίπεδο δονήσεων αντιπροσωπεύει τις κύριες χρήσεις του ηλεκτρικού εργαλείου. Εάν όμως το ηλεκτρικό χρησιμοποιείται σε άλλες χρήσεις, με διαφορετικά εργαλεία εφαρμογής ή ανεπαρκή συντήρηση, μπορεί να υπάρξει απόκλιση του επιπέδου δονήσεων. Αυτό μπορεί να αυξήσει σημαντικά την επιβάρυνση των δονήσεων για τη συνολική διάρκεια της εργασίας.

Για μια ακριβή εκτίμηση της επιβάρυνσης των δονήσεων οφείλουν επίσης να λαμβάνονται υπόψη οι χρόνοι, στους οποίους η συσκευή είναι απενεργοποιημένη ή είναι μεν ενεργοποιημένη αλλά δεν χρησιμοποιείται πραγματικά. Αυτό μπορεί να μειώσει σημαντικά την επιβάρυνση των δονήσεων για τη συνολική διάρκεια της εργασίας.

Καθορίζετε πρόσθετα μέτρα ασφαλείας για την προστασία του χειριστή από την επίδραση των δονήσεων όπως για παράδειγμα: Συντήρηση του ηλεκτρικού εργαλείου και των εργαλείων εφαρμογής, διατηρείτε ζεστά τα χέρια, οργάνωση των διαδικασιών εργασίας.

⚠ ΠΡΟΣΟΧΗ! Διαβάστε όλες τις οδηγίες ασφαλείας και τις οδηγίες χρήσεως. Αμέλειες κατά την τήρηση των προειδοποιητικών υποδείξεων μπορεί να προκαλέσουν ηλεκτροπληξία, κίνδυνο πυρκαγιάς ή/και σοβαρούς τραυματισμούς.
Φυλάξτε όλες τις προειδοποιητικές υποδείξεις και οδηγίες για κάθε μελλοντική χρήση.

⚠ ΟΔΗΓΙΕΣ ΑΣΦΑΛΕΙΑΣ ΓΙΑ ΣΥΣΚΕΥΕΣ ΚΟΠΗΣ-ΛΕΙΑΝΣΗΣ

a) Η προστατευτική καλύπτρα που διανέμεται με το ηλεκτρικό εργαλείο πρέπει να στερεωθεί πάνω σ' αυτό και να τοποθετηθεί με τρόπο που να παρέχει την μέγιστη δυνατή προστασία, δηλ. ο χειριστής να είναι όσο το δυνατόν λιγότερο εκτεθειμένος μπροστά στον δίσκο λείανσης. Παραμείνετε και κρατήστε τα άτομα που βρίσκονται κοντά στο ηλεκτρικό εργαλείο μακριά από την περιοχή του περιστρεφόμενου δίσκου λείανσης. Η προστατευτική καλύπτρα προστατεύει τον χειριστή από ριπίσματα και ακούσιες επαφή με το λειαντικό σώμα.

b) Χρησιμοποιείτε αποκλειστικά συγκολλημένους ενισχυμένους δίσκους κοπής ή διαμαντόδισκους κοπής για το ηλεκτρικό εργαλείο σας. Το γεγονός ότι μπορείτε να σταθεροποιήσετε τα εξαρτήματα στο ηλεκτρικό εργαλείο σας δεν εγγυάται ασφαλή χρήση.

c) Ο επιτρεπτός αριθμός στροφών του ανταλλακτικού εξαρτήματος πρέπει να είναι τουλάχιστον τόσο υψηλός όσο ο μέγιστος αριθμός στροφών που αναφέρεται επάνω στο ηλεκτρικό εργαλείο. Εξαρτήματα τα οποία περιστρέφονται με ταχύτητα μεγαλύτερη από την επιτρεπτή, ενδέχεται να σπάσουν και να εκσφενδονιστούν.

d) Τα λειαντικά σώματα πρέπει να χρησιμοποιούνται μόνο για τις εργασίες που αυτά προβλέπονται. Μην λειανείτε ποτέ με την πλευρική επιφάνεια ενός δίσκου κοπής. Οι δίσκοι κοπής προορίζονται για αφαίρεση υλικού μόνο με την ακμή τους. Αυτά τα λειαντικά σώματα μπορεί να σπάσουν όταν υποστούν πίεση από τα πλάγια.

e) Χρησιμοποιείτε πάντοτε άθικτες φλάντζες στερέωσης με το σωστό μέγεθος για το δίσκο κοπής, τον οποίο έχετε επιλέξει. Η κατάλληλη φλάντζα στηρίζει το δίσκο κοπής, μειώνοντας έτσι τον κίνδυνο σπασίματός του.

f) Να μη χρησιμοποιείτε μεταχειρισμένους δίσκους λείανσης από μεγαλύτερα ηλεκτρικά εργαλεία. Δίσκοι λείανσης για μεγαλύτερα λειαντικά εργαλεία δεν είναι κατάλληλοι για τους υψηλότερους αριθμούς στροφών των μικρότερων ηλεκτρικών εργαλείων και γι' αυτό μπορεί να σπάσουν.

g) Η εξωτερική διάμετρος και το πάχος του ανταλλακτικού εξαρτήματος πρέπει να ανταποκρίνονται στις διαστάσεις του ηλεκτρικού σας

εργαλείου. Ανταλλακτικά εξαρτήματα με εσφαλμένες διαστάσεις δε μπορούν να καλυφθούν ή να ελεγχθούν επαρκώς.

h) Οι δίσκοι λείανσης και η φλάντζα πρέπει να ταιριάζουν στο άξονα λείανσης του ηλεκτρικού εργαλείου σας. Ανταλλακτικά εξαρτήματα που δεν ταιριάζουν στον άξονα λείανσης του ηλεκτρικού εργαλείου περιστρέφονται ασύμμετρα, δονούνται υπερβολικά έντονα και μπορούν να οδηγήσουν στην απώλεια του ελέγχου του μηχανήματος.

i) Μη χρησιμοποιείτε χαλασμένους δίσκους λείανσης. Ελέγξτε πριν από κάθε χρήση τους δίσκους λείανσης να μην είναι σπασμένοι ή ραγισμένοι. Σε περίπτωση που το ηλεκτρικό εργαλείο ή ο δίσκος λείανσης πέσουν, ελέγξτε για βλάβες και χρησιμοποιήστε δίσκο λείανσης που δεν έχει υποστεί βλάβη. Αφού ελέγξετε και τοποθετήσετε τον δίσκο λείανσης, απομακρυνθείτε και κρατήστε τα άτομα που βρίσκονται κοντά στο ηλεκτρικό εργαλείο μακριά από την περιοχή του περιστρεφόμενου δίσκου λείανσης αφήνοντας το μηχανήμα ενεργοποιημένο στο μέγιστο αριθμό στροφών για ένα λεπτό. Δίσκοι λείανσης που έχουν υποστεί βλάβη σπάνε ως επί το πλείστον σε αυτό το χρόνο δοκιμής.

j) Να φοράτε πάντοτε τη δική σας, ατομική προστατευτική ενδυμασία. Να χρησιμοποιείτε επίσης, ανάλογα με την εκάστοτε εργασία που εκτελείτε, προστατευτικές μάσκες, προστατευτικές διατάξεις ματιών ή προστατευτικά γυαλιά. Αν χρειαστεί, φορέστε και μάσκα προστασίας από σκόνη, ωτασπίδες προστατευτικά γάντια ή μια ειδική προστατευτική ποδιά, που θα σας προστατέψει από τυχόν εκσφενδονιζόμενα λειαντικά σωματίδια ή θραύσματα υλικού. Τα μάτια πρέπει να προστατεύονται από τυχόν αιωρούμενα σωματίδια που μπορεί δημιουργηθούν κατά την εκτέλεση των διάφορων εργασιών. Οι αναπνευστικές και οι προστατευτικές μάσκες πρέπει να φιλτράρουν τον αέρα και να συγκρατούν τη σκόνη που δημιουργείται κατά την εργασία. Σε περίπτωση που εκτεθείτε για πολύ χρόνο σε ισχυρό θόρυβο μπορεί να απωλέσετε την ακοή σας.

k) Φροντίζετε, τυχόν παρευρισκόμενα άτομα να βρίσκονται πάντοτε σε ασφαλή απόσταση από το χώρο εργασίας σας. Κάθε άτομο που εισέρχεται στο χώρο εργασίας σας πρέπει να φορά ατομικό προστατευτικό εξοπλισμό. Θραύσματα του υπό κατεργασία τεμαχίου ή σπασμένων ανταλλακτικών εξαρτημάτων μπορεί να εκσφενδονιστούν και να προκαλέσουν τραυματισμούς ακόμη κι εκτός του άμεσου χώρου εργασίας.

l) Να πιάνετε τη συσκευή στις μονωμένες χειρολαβές όταν εκτελείτε εργασίες κατά τις οποίες τα κοπτικά εργαλεία θα μπορούσαν να πέσουν επάνω σε κρυμμένα καλώδια ρεύματος ή στο δικό της καλώδιο. Η επαφή των κοπτικών εργαλείων με αγώγιμο τροφοδοσίας τάσης μπορεί να θέσει τα μεταλλικά τμήματα της συσκευής υπό τάση και να προκαλέσει ηλεκτροπληξία.

m) Να κρατάτε και να οδηγείτε το ηλεκτρικό καλώδιο σε ασφαλή απόσταση από τα περιστρεφόμενα εργαλεία. Σε περίπτωση που χάσετε τον έλεγχο του ηλεκτρικού εργαλείου το ηλεκτρικό καλώδιο μπορεί να κοπεί ή να περιπληχτεί και το χέρι σας ή το μπράτσο σας να τραβηχτεί επάνω στο περιστρεφόμενο εργαλείο.

n) Μην αποθέτετε το ηλεκτρικό εργαλείο ποτέ, προτού το ανταλλακτικό εξάρτημα ακινητοποιηθεί πλήρως. Το περιστρεφόμενο ανταλλακτικό εξάρτημα μπορεί να έρθει σε επαφή με την επιφάνεια απόθεσης με αποτέλεσμα να χάσετε τον έλεγχό του.

o) Μην αφήσετε ο ηλεκτρικό εργαλείο να εργάζεται όταν το μεταφέρετε. Τα ρούχα σας μπορεί να τυλιχτούν τυχαίως στο περιστρεφόμενο εργαλείο κι αυτό να τρυπήσει το σώμα σας.

p) Να καθαρίζετε τακτικά τις σχισμές αερισμού του ηλεκτρικού εργαλείου σας. Η πτερωτή του κινητήρα

τραβάει σκόνη μέσα στο περίβλημα και η συσσώρευση μεταλλικής σκόνης μπορεί να δημιουργήσει ηλεκτρικούς κινδύνους.

q) Μη χρησιμοποιείτε το ηλεκτρικό εργαλείο κοντά σε εύφλεκτα υλικά. Τυχόν σπίδες ενδέχεται να προκαλέσουν την ανάφλεξη των υλικών αυτών.

r) Μη χρησιμοποιείτε ανταλλακτικά εξαρτήματα τα οποία απαιτούν ψυκτικά υγρά. Η χρήση νερού ή άλλων ψυκτικών υγρών μπορεί να προκαλέσει ηλεκτροπληξία.

Περαιτέρω οδηγίες ασφαλείας για χρήση των δίσκων κοπής και λείανσης

Κλότσημα και σχετικές υποδείξεις ασφαλείας

Κλότσημα είναι η ξαφνική αντίδραση ως επακόλουθο γαντζωμένου ή μπλοκαρισμένου περιστρεφόμενου δίσκου λείανσης. Το γαντζώμα ή το μπλοκάρισμα οδηγούν σε αιφνίδιο σταμάτημα του περιστρεφόμενου ανταλλακτικού εξαρτήματος. Αυτό έχει ως αποτέλεσμα να ανεξέλεγκτο ηλεκτρικό εργαλείο στην εστία του μπλοκαρισμού να κατευθυνθεί αντίστροφα προς τη φορά περιστροφής του ανταλλακτικού εξαρτήματος .

Όταν π. χ. ένας δίσκος κοπής σφηνώσει ή μπλοκάρει μέσα στο υπό κατεργασία υλικό, τότε η ακμή του δίσκου που βυθίζεται μέσα στο υλικό μπορεί να στρεβλώσει και ακολουθώς ο δίσκος κοπής να πεταχτεί με ορμή και ανεξέλεγκτα από το υλικό ή να προκαλέσει κλότσημα. Όταν συμβεί αυτό ο δίσκος κοπής κινείται με κατεύθυνση προς το χειριστή/τη χειρίστρια ή και αντίθετα, ανάλογα με τη φορά περιστροφής στο σημείο μπλοκαρισμού. Σε τέτοιες περιπτώσεις δεν αποκλείεται ακόμη και το σπάσιμο των δίσκων κοπής.

Το κλότσημα είναι το αποτέλεσμα ενός εσφαλμένου ή ελλιπής χειρισμού του ηλεκτρικού εργαλείου και μπορεί να αποφευχθεί με λήψη κατάλληλων προληπτικών μέτρων, σαν αυτά που περιγράφονται παρακάτω.

a) Να κρατάτε το ηλεκτρικό εργαλείο πάντοτε καλά και να παίρνετε με το σώμα σας μόνο θέσεις, στις οποίες θα μπορούσατε να αντιμετωπίσετε επιτυχώς ένα ενδεχόμενο κλότσημα. Να χρησιμοποιείτε πάντοτε την πρόσθετη λαβή, αν αυτή φυσικά υπάρχει, για να εξασφαλίσετε έτσι το μέγιστο δυνατό έλεγχο του ηλεκτρικού εργαλείου σε περίπτωση εμφάνισης ανάστροφων και αντίρροπων δυνάμεων (π. χ. κλότσημα) κατά την εκκίνηση. Ο χειριστής/η χειρίστρια μπορεί να αντιμετωπίσει με επιτυχία τα κλοτσήματα και τις αναστροφές ροπές.

b) Μη βάζετε ποτέ τα χέρια σας κοντά στα περιστρεφόμενα εργαλεία. Σε περίπτωση κλοτσήματος το εργαλείο μπορεί να περάσει πάνω από το χέρι σας.

c) Αποφύγετε την περιοχή μπροστά και πίσω από τον περιστρεφόμενο τροχό κοπής. Το κλότσημα ωθεί το ηλεκτρικό εργαλείο στην εστία του μπλοκαρισμού σε κατεύθυνση αντίθετη από τη κίνηση του δίσκου λείανσης.

d) Να εργάζεσθε με ιδιαίτερη προσοχή σε γωνίες, κοφτερές ακμές κτλ. Φροντίστε, το λειαντικό εργαλείο να μην ανατινάξει έξω από το υπό κατεργασία υλικό και να μη σφηνώσει σ' αυτό. Το περιστρεφόμενο λειαντικό εργαλείο σφηνώνει εύκολα κατά την εργασία σε γωνίες και σε κοφτερές ακμές ή όταν εκτινάζεται. Αυτό προκαλεί κλότσημα ή απώλεια του ελέγχου.

e) Μην χρησιμοποιείτε αλισιοδωτές ή οδοντωτές λάμες πριονιού όπως και κατατετημένους δίσκους διαμαντιού με διάκενο μεγαλύτερο των 10 mm. Αυτού του είδους τα ανταλλακτικά εξαρτήματα προκαλούν συχνά κλότσημα και οδηγούν στην απώλεια ελέγχου του ηλεκτρικού εργαλείου.

f) Να αποφεύγετε το μπλοκάρισμα των δίσκων κοπής και/ή την άσκηση πολύ υψηλής πίεσης. Να μη διεξάγετε τομές υπερβολικού βάθους. Η υπερβολική επιβάρυνση του δίσκου κοπής αυξάνει τη μηχανική παραμόρφωσή του και τον κίνδυνο στρέβλωσης κι έτσι και

τις πιθανότητες κλοσήματος ή σπασίματος του λειαντικού σώματος.

g) Όταν ο δίσκος κοπής μπλοκάρει ή όταν διακόπτετε την εργασία σας πρέπει να θέσετε το ηλεκτρικό εργαλείο εκτός λειτουργίας και ακολούθως να το κρατάτε ήρεμα μέχρι ο δίσκος κοπής να σταματήσει εντελώς να κινείται. Μην προσπαθήσετε ποτέ να βγάλετε το δίσκο κοπής από το υλικό όταν αυτός κινείται ακόμη, διαφορετικά υπάρχει κίνδυνος κλοσήματος. Εξακριβώστε κι εξουδετερώστε την αιτία του μπλοκαρίσματος.

h) Μη θέσετε το ηλεκτρικό εργαλείο πάλι σε λειτουργία όσο ο δίσκος κοπής βρίσκεται ακόμη μέσα στο υπό καταργασία τεμάχιο. Αφήστε το δίσκο κοπής να αποκτήσει το μέγιστο αριθμό στροφών πριν συνεχίσετε προσεκτικά την κοπή. Διαφορετικά ο δίσκος μπορεί να σφηνώσει, να πεταχτεί με ορμή έξω από το υπό καταργασία υλικό ή να προκαλέσει κλόσημα.

ι) Πλάκες, ή άλλα μεγάλα υπό καταργασία τεμάχια, πρέπει να υποστηρίζονται για να ελαττωθεί ο κίνδυνος κλοσήματος από έναν τυχόν μπλοκαρισμένο δίσκο κοπής. Μεγάλα υπό καταργασία τεμάχια μπορεί να λυγίσουν κάτω από το ίδιο τους το βάρος. Το υπό καταργασία τεμάχιο πρέπει να υποστηριχτεί και στις δυο πλευρές του, και κοντά στην τομή κοπής και στην ακμή του.

j) Να είστε ιδιαίτερα προσεκτικοί/προσεκτικές όταν διεξάγετε «κοπές βυθίσματος» σε τοίχους ή άλλους εμποτεύσιμους τοιχείους. Ο βυθιζόμενος δίσκος κοπής μπορεί να κόψει σωλήνες φωταερίου (γκαζιού) ή νερού, ηλεκτρικές γραμμές ή αντικείμενα που μπορεί να προκαλέσουν κλόσημα.

ΣΥΣΤΗΜΑ ΣΥΝΔΑΥΣΜΟΥ ΦΡΕΖΑΣ ΤΟΙΧΟΠΟΙΑΣ ΜΕ ΑΠΑΓΩΓΕΑ ΣΚΟΝΗΣ

Η φρέζα τοιχοποιίας χρησιμοποιείται μόνο με απαγωγέα σκόνης της κατηγορίας M. Άλλοι συνδυασμοί μπορούν να οδηγήσουν σε χειρότερη σύλληψη και αφαίρεση σκόνης.

Δώστε προσοχή στις οδηγίες λειτουργίας, συντήρησης και καθαρισμού του απαγωγέα συμπεριλαμβανομένων των φίλτρων. Αδειάστε τα δοχεία σύλληψης της σκόνης αμέσως μόλις γεμίσουν.

Χρησιμοποιείτε μόνο το προβλεπόμενο λάστιχο αναρρόφησης. Μη τροποποιείτε το λάστιχο αναρρόφησης. Σε περίπτωση που αναρροφηθούν πέτρες ή τμήματα από πέτρες, διακόψτε την εργασία και καθαρίστε αμέσως το λάστιχο αναρρόφησης. Προσέξτε να μην διπλώσει το λάστιχο αναρρόφησης.

Πρέπει να καθαρίζετε και να αλλάζετε τα φίλτρα τακτικά. Μην απομακρύνετε φίλτρα ή εξαρτήματα αυτών.

Επιλέξτε τη φρέζα τοιχοποιίας και τους δίσκους κοπής ανάλογα με την επιφάνεια εργασίας. Οι παραγωγοί συστήνουν για κάθε επιφάνεια εργασίας τους αντίστοιχους δίσκους κοπής.

Χρησιμοποιείτε μόνο διαμαντοτροχούς. Κατατετηγμένοι διαμαντοτροχοί μπορούν να χρησιμοποιηθούν μόνο εφόσον η γωνία κοπής είναι αρνητική και οι σχισμές τους δεν είναι μεγαλύτερες από 10 εκ.

Αλλάξτε και ακονίστε έγκαιρα τους δίσκους κοπής. Σε περίπτωση μείωσης της απόδοσης ελέγξτε εάν οι δίσκοι κοπής έχουν φθαρεί και πρέπει να αλλάξθούν ή να ακονιστούν.

Η λειτουργία βύθισης και η διεξαγωγή των εργασιών πρέπει να πραγματοποιούνται όπως περιγράφεται στις οδηγίες χρήσεως.

ΘΕΣΗ ΕΡΓΑΣΙΑΣ

Πρέπει να διασφαλίζεται η τήρηση των γενικών όρων στις θέσεις εργασίας σε οικοδομικά εργοτάξια (επαρκής φωτισμός, αποφυγή σημείων όπου υπάρχει κίνδυνος

πτώσης, κ.τ.λ.). Διαβάστε προσεκτικά τις υποδείξεις ασφαλείας.

Φροντίζετε για τον καλό αερισμό του χώρου.

Φροντίζετε το πεδίο εργασιών να είναι ελεύθερο. Για μεγάλα αυλάκια ο απαγωγέας σκόνης πρέπει να έχει τη δυνατότητα να κινείται ελεύθερα μαζί ή ακριβώς πίσω από τη φρέζα τοιχοποιίας.

ΟΡΓΑΝΩΣΗ ΕΡΓΑΣΙΩΝ

Χρησιμοποιείτε προστατευτικές διατάξεις για τα αυτιά, τα μάτια, την αναπνοή και εφόσον χρειάζεται γάντια. Για μάρκες προστασίας της αναπνοής χρησιμοποιείτε φίλτρώσασκες προστασίας έναντι σωματιδίων της κατηγορίας FFP2.

Χρησιμοποιείτε τον απαγωγέα σκόνης για τον καθαρισμό του χώρους εργασίας. Μη σηκώνετε σκόνη κουπίζοντας την σκόνη.

ΜΕΤΑΦΟΡΑ, ΜΕΤΑΧΕΙΡΙΣΗ ΚΑΙ ΑΠΟΘΗΚΕΥΣΗ

Η μεταχείριση και η μεταφορά των διαμαντοτροχών πρέπει να γίνονται με προσοχή. Αν υπάρχει η δυνατότητα χρησιμοποιείτε μόνο την αυθεντική συσκευασία ή κάποια άλλη κατάλληλη συσκευασία.

Οι τροχοί πρέπει να αποθηκεύονται σε ξηρό περιβάλλον και με τρόπο ώστε να μην εκτίθενται σε μηχανικές βλάβες.

Προστατέψτε τους τροχούς από χτυπήματα, κρούσεις και βλαβερές επιδράσεις του περιβάλλοντος.

ΣΥΝΔΕΣΗ ΣΤΟ ΗΛΕΚΤΡΙΚΟ ΔΙΚΤΥΟ

Συνδέστε μόνο σε μονοφασικό εναλλασσόμενο ρεύμα και μόνο σε τάση δικτύου όπως αναφέρεται στην πινακίδα τεχνικών χαρακτηριστικών. Η σύνδεση είναι επίσης εφικτή σε πρίζες χωρίς προστασία επαφής, διότι υπάρχει μια δομή της κατηγορίας προστασίας II.

ΧΡΗΣΗ ΣΥΜΦΩΝΑ ΜΕ ΤΟ ΣΚΟΠΟ ΠΡΟΟΡΙΣΜΟΥ

Η φρέζα τοιχοποιίας φρεζάρει με τους δύο παράλληλους δίσκους οπής από διαμάντι σχισμές για σωλήνες και καλώδια (εγκοπές τοίχου) σε κάθε είδος τοιχοποιίας.

Αυτή η συσκευή επιτρέπεται να χρησιμοποιηθεί μόνο σύμφωνα με τον αναφερόμενο σκοπό προορισμού.

Οι πρίζες στους εξωτερικούς χώρους πρέπει να είναι εξοπλισμένες με μικροαυτόματους διακόπτες προστασίας (FI, RCD, PRCD). Αυτό απαιτεί ο σχετικός κανονισμός από την ηλεκτρική σας εγκατάσταση. Προσέξτε παρακαλώ αυτό το σημείο κατά τη χρήση της συσκευής μας.

ΔΗΛΩΣΗ ΠΙΣΤΟΤΗΤΑΣ ΕΚ

Δηλώνουμε υπεύθυνα ότι το προϊόν που περιγράφεται στο κεφάλαιο «Τεχνικά χαρακτηριστικά» είναι συμβατό με τις διατάξεις της Κοινοτικής Οδηγίας 2011/65/EU (RoHS), 2014/30/EU, 2006/42/ΕΚ και με τα ακόλουθα εναρμονισμένα κανονιστικά έγγραφα:

EN 60745-1:2009 + A11:2010
EN 60745-2-22:2011 + A11:2013
EN 55014-1:2017
EN 55014-2:2015
EN 61000-3-2:2014
EN 61000-3-3:2013
EN 50581:2012

Winnenden, 2018-02-26



Alexander Krug
Managing Director

Εξουσιοδοτημένος να συντάξει τον τεχνικό φάκελο.



Techronic Industries GmbH
Max-Eyth-Straße 10
71364 Winnenden
Germany

ΥΠΟΔΕΙΞΕΙΣ ΕΡΓΑΣΙΑΣ

Σε περίπτωση υπερφόρτωσης του κινητήρα απενεργοποιείται αυτόματα η μηχανή. Αφού κρυώσει η μηχανή πατήστε πάλι το κουμπί υπερφόρτωσης και ενεργοποιήστε πάλι τη μηχανή. Όταν υπάρχει συχνή απενεργοποίηση μέσω της προστασίας υπερφόρτωσης, τότε μειώστε την πίεση κοπής ή το βάθος τομής.

Η αβαθμιδωτή ρύθμιση του πλάτους τομής προσφέρει το πλεονέκτημα ότι όταν έχει ρυθμιστεί σωστά το πλάτος τομής μπορούν οι σωλήνες να τοποθετηθούν με ακρίβεια στη σχισμή και να μην ασφαλιστούν επιπλέον με καρφιά, για να μην πέσουν προς τα κάτω.

Να ακονίσετε ξανά τους αμβλείους δίσκους κοπής από διαμάντι (αναγνωρίζονται από την ισχυρή δημιουργία σπινθήρων κατά τη διάρκεια των εργασιών) μέσω αρκετών τομών σε αβεσοτολιθικό ψαμίμη ή με μία ειδική πέτρα ακονίσματος.

Οι δίσκοι διαχωρισμού θερμαίνονται πολύ κατά τη διάρκεια των εργασιών. Μην τους ακουμπάτε πριν κρῶσουν αρκετά.

ΣΥΝΤΗΡΗΣΗ

Διατηρείτε πάντοτε τις σχισμές εξαερισμού στη μηχανή καθαρές.

Χρησιμοποιείτε μόνο αξεσουάρ και ανταλλακτικά της Milwaukee. ΒΤα εξαρτήματα, των οποίων δεν έχει περιγραφεί η αντικατάσταση, πρέπει να αντικατασταθούν σε ένα συνεργείο σέρβις της Milwaukee (προσέξτε το εγχειρίδιο της εγγύησης/των διευθύνσεων εξυπηρέτησης πελατών).

Σε περίπτωση που το χρειαστείτε μπορείτε να παραγγείλετε λεπτομερές σχέδιο της συσκευής αναφέροντας τον τύπο και τον εξαψήφιο αριθμό που βρίσκεται στην πινακίδα τεχνικών χαρακτηριστικών από την εξυπηρέτηση πελατών ή απευθείας από την Techronic Industries GmbH, διεύθυνση Max-Eyth-Straße 10, 71364 Winnenden, Germany.

ΣΥΜΒΟΛΑ



ΠΡΟΣΟΧΗ! ΠΡΟΕΙΔΟΠΟΙΗΣΗ! ΚΙΝΔΥΝΟΣ!



Πριν από κάθε εργασία στη μηχανή τραβάτε το φως από την πρίζα.



Παρακαλώ διαβάστε σχολαστικά τις οδηγίες χρήσης πριν από την έναρξη λειτουργίας.



Στις εργασίες με τη μηχανή φοράτε πάντοτε προστατευτικά γυαλιά.



Φοράτε προστασία ακοής (ωασιπίδες)!



Ως προστασία αναπνοής χρησιμοποιείτε τουλάχιστον μια μάσκα προστασίας αναπνοής φίλτρώσματος σωματιδίων της κατηγορίας FFP2.



Να φοράτε προστατευτικά γάντια!



Εξαρτήματα - Δεν περιλαμβάνονται στα υλικά παράδοσης, συνιστούμενη προσθήκη από το πρόγραμμα εξαρτημάτων.



Ηλεκτρικά μηχανήματα δεν επιτρέπεται να απορρίπτονται μαζί με τα οικιακά απορρίμματα.

Ηλεκτρικά και ηλεκτρονικά μηχανήματα συλλέγονται ξεχωριστά και παραδίδονται προς ανακύκλωση με τρόπο φιλικό προς το περιβάλλον σε επιχείρηση επεξεργασίας απορριμμάτων. Ενημερωθείτε από τις τοπικές υπηρεσίες ή από ειδικευμένους εμπόρους σχετικά με κέντρα ανακύκλωσης και συλλογής απορριμμάτων.



Ηλεκτρικό εργαλείο κατηγορίας ασφάλειας II. Ηλεκτρικό εργαλείο στο οποίο η προστασία από ηλεκτροπληξία δεν εξαρτάται μόνο από την βασική μόνωση αλλά και από συμπληρωματικά μέτρα ασφάλειας όπως διπλή ή ενισχυμένη μόνωση. Δεν υπάρχει εξοπλισμός για να συνδεθεί με την γείωση.



Σήμα συμμόρφωσης CE



Regulatory Compliance Mark (RCM). Το προϊόν τηρεί τις ισχύουσες προδιαγραφές.

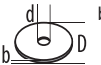


Εθνικό σήμα πιστότητας Ουκρανία



EurAsian σήμα πιστότητας.



Teknik veriler	WCS 45
Duvar oluk açma freze makinesi	
Üretim numarası	4632 81 03... 3930 04 04... ...000001-999999
Giriş gücü	1900 W
Devir sayısı	6200 min ⁻¹
D=Maksimum elmas kesme taşı ø d=Delik ø	150 mm 22,2 mm
 b=Kesme diski kalınlığı dak. / maks.	2,4 / 2,6 mm
Kesme derinliği	0-45 mm
Kesme genişliği	17-45 mm
Ağırlığı ise EPTA-üretici 01/2014'e göre	6,6 kg
Gürültü/Vibrasyon bilgileri Ölçüm değerleri EN 60 745 e göre belirlenmektedir. Aletin, frekansa bağımlı uluslararası ses basıncı seviyesi değerlendirme eğrisi A'ya göre tipik gürültü seviyesi: Ses basıncı seviyesi (Tolerans K=3dB(A)) Akustik kapasite seviyesi (Tolerans K=3dB(A)) Koruyucu kulaklık kullanın! Toplam titreşim değeri (üç yönün vektör toplamı) EN 60745'e göre belirlenmektedir: Titreşim emisyon değeri a _h Tolerans K=	99 dB(A) 110 dB(A) 6,5 m/s ² 1,5 m/s ²

UYARI

Bu talimatlarda belirtilen titreşim seviyesi, EN 60745 standardına uygun bir ölçme metodu ile ölçülmüştür ve elektrikli el aletleri birbiriyle karşılaştırmak için kullanılabilir. Ölçüm sonuçları ayrıca titreşim yükünün geçici değerlendirmesi için de uygundur.

Belirtilen titreşim seviyesi, elektrikli el aletinin genel uygulamaları için geçerlidir. Ancak elektrikli el aleti başka uygulamalar için, farklı eklenti parçalarıyla ya da yetersiz bakım koşullarında kullanılırsa, titreşim seviyesi farklılık gösterebilir. Bu durumda, titreşim yükü toplam çalışma zaman aralığı içerisinde belirgin ölçüde yükselebilir.

Titreşim yükünün tam bir değerlendirmesi için ayrıca cihazın kapalı olduğu süreler ve cihazın çalışır durumda olduğu, ancak gerçek kullanımda bulunmadığı süreler de dikkate alınmalıdır. Böylelikle, toplam çalışma zamanı aralığı boyunca meydana gelen titreşim yükü belirgin ölçüde azaltılabilir.

Kullanıcıyı titreşimlerin etkisinden korumak üzere, örneğin elektrikli el aletlerinin ve eklenti parçalarının bakımı, ellerin sıcak tutulması ve iş aklıklarının organizasyonu gibi ek güvenlik tedbirleri belirleyiniz.

⚠ UYARI! Bütün güvenlik notlarını ve talimatları okuyunuz. Açıklanan uyarılara ve talimat hükümlerine uyulmadığı takdirde elektrik çarpmalarına, yangınlara ve/veya ağır yaralanmalara neden olunabilir. **Bütün uyarıları ve talimat hükümlerini ileride kullanmak üzere saklayın.**

⚠ PROFİL KESME MAKİNELERİ İÇİN GÜVENLİK UYARILARI

a) Elektrikli alete ait koruyucu kapağın güvenli bir şekilde sabitlenmiş ve en üst seviyede güvenlik edilecek şekilde ayarlanmış olmalıdır, yani taşlama aksesuarının mümkün olan en küçük kısmı açık olarak kullanılan kişiye doğru bakmaktadır. Kendiniz ve yakınınızdaki şahıslar rotatif taşlama disklerinin düzeyinin dışında durmalıdır. Koruyucu kapak kullanılan kişiyi kırılan parçalara ve taşlama aksesuarı ile tesadüfen temasa karşı korumalıdır.

b) Elektrikli aletinizin için sadece bağlı takviyeli veya elmaslı kesme diskleri kullanınız. Aksesuarı elektrikli aletinize takabiliyor olmanız, güvenli kullanımı için garanti anlamına gelmez.

c) Kullanılan takımın izin verilen devri, en az elektrikli cihaz üzerinde yazılı azami devir kadar yüksek olmalıdır. İzin verileden daha hızlı dönen aksesuar kırılabilir ve etrafa fırlayabilir.

d) Taşlama uçları sadece tavsiye edilen uygulamalarda kullanılabilir. Örneğin: Bir kesme diskinin kenarı ile hiçbir zaman taşlama yapmayın. Kesici taşlama diskleri

uçları ile malzeme kazıma için geliştirilmiştir. Bu uçlara yandan baskı uyguladığınızda kırılabilirler.

e) Her zaman hasarsız ve seçilen kesme taşı için doğru büyüklükte sıkma flanşlarını kullanınız. Uygun flanşlar kesme taşıni destekler ve bu sayede kesme taşıının kırılması tehlikesini azaltır.

f) Büyük elektrikli el aletlerini ait yıpranmış taşlama disklerini kullanmayın. Büyük elektrikli el aletlerinde kullanılan taşlama diskleri yüksek devirli küçük el aletlerinde kullanılmaya elverişli değildirler ve kırılabilirler.

g) Kullanılan takımın dış çapı ve kalınlığı elektrikli cihazın ölçü bilgilerine uygun olmalıdır. Yanlış ölçüye sahip takımlar yeteri kadar korunamaz veya kontrol edilemezler.

h) Taşlama diskleri ve flanşlar elektrikli aletinizin taşlama mili üzerine tam olarak uymak zorundadır. Elektrikli aletin taşlama miline tam olarak uymayan uçlar, düzensiz döner, titreşir ve hâkimiyetin kaybedilmesine neden olabilirler.

i) Hasarlı taşlama diskleri kullanmayınız. Her kullanımdan önce taşlama disklerini ayrılmış parçacıklar ve çatlaklıklar yönünden kontrol ediniz. Elektrikli alet veya taşlama diski yere düştüğünde, hasar görmüş olup olmadığını kontrol ediniz veya hasarsız bir taşlama diski kullanınız. Taşlama diskinin kontrol edip taktıysanız, kendiniz ve yakınınızdaki şahısların rotatif taşlama diskinin düzeyi dışında durmasını sağlayınız ve aleti bir dakika süreyle en yüksek devirde çalıştırınız. Hasarlı taşlama diskleri bu test süresi içinde genelde kırılırlar.

j) Kişisel koruyucu donanım kullanın. Yaptığınız işe göre tam yüz siperliği, göz koruma donanımı veya koruyucu gözlük kullanın. Eğer uygunsuz küçük taşlama ve malzeme parçacıklarına karşı koruma sağlayan toz maskesi, koruyucu kulaklık, koruyucu iş eldivenleri veya özel iş önlüğü kullanın. Gözler çeşitli uygulamalarda etrafa savrulmuş parçacıklardan korunmalıdır. Toz veya soluma maskesi çalışma sırasında ortaya çıkan tozları filtre eder. Uzun süre yüksek gürültü altında çalışırsanız işitme kaybına uğrayabilirsiniz.

k) Diğer insanların çalışma sahanıza güvenli mesafede durmasına dikkat ediniz. Çalışma sahasına giren herkes kişisel koruyucu donanım kullanmalıdır. İş parçası kırıkları veya kırılan takımlar savrulabilir ve doğrudan çalışma sahasının dışında da yaralanmalara neden olabilir.

l) Kesme aletinin eğrilmiş elektrik kabloları veya kendi kablosuna isabet eden çalışmalar yapılrken cihazı izole edilmiş kollarından tutun. Kesme aletinin içinden elektrik akımı geçen kablo ile temas etmesi durumunda elektrik akımı cihazın metal kısımlarına geçer ve elektrik çarpmasına sebebiyet verebilir.

m) Şebeke bağlantı kablosunu dönen uçlardan uzak tutun. Elektrikli el aletinin kontrolünü kaybederseniz, şebeke bağlantı kablosu ayrılabilir veya uç tarafından tutulabilir ve el veya kollarınız dönmekte olan uca temas edebilir.

n) Takım tamamen durmadan elektrikli cihazı asla yere koymayınız. Dönen takımın bırakılan yüzeye temas etmesi durumunda elektrikli cihazın kontrolünü kaybedebilirsiniz.

o) Elektrikli el aletini çalışır durumda taşımayın. Giysileriniz rastlantı sonucu dönmekte olan uç tarafından tutulabilir ve uç bedenize temas edebilir.

p) Elektrikli el aletinizin havalandırma deliklerini düzenli olarak temizleyin. Motor fanı tozu gövdeye çeker ve metal tozunun aşırı birikimi elektrik çarpması tehlikesini ortaya çıkarır.

q) Elektrikli cihazı asla yanıcı malzemelerin yanında kullanmayınız. Kıvılcıklar bu malzemeleri tutuşturabilir.

r) Sıvı soğutma maddeleri gerektiren takımlar kullanmayınız. Su veya sıvı başka soğutma maddelerinin kullanılması elektrik çarpmasına yol açabilir.

Profil kesme uygulamaları için ayrıca güvenlik uyarıları

Geri tepme ve ilgili emniyet bilgileri

Geri tepme, takılmış veya bloke olmuş durumda dönen bir taşlama diskinin ani tepkisidir. Takılma veya bloke olma, rotatif ucun aniden durmasına neden olmaktadır. Böylece kontrolsüz bir elektrikli alet, bloke olduğu noktada ucun dönme yönünün tersine hızlanmaktadır.

Örneğin bir taşlama diski iş parçası içinde takılır veya bloke olursa, taşlama diskinin içine giren kenarı tutulur ve disk kırılır veya geri tepme kuvvetinin ortaya çıkmasına neden olur. Bu durumda taşlama diski blokaj yerinden, diskin dönme yönüne bağlı olarak kullanıcıya doğru veya kullanıcının tersine hareket eder. Bu gibi durumlarda taşlama disklerinin kırılma olasılığı da vardır.

Geri tepme kuvveti elektrikli el aletinin yanlış veya hatalı kullanımı sonucu ortaya çıkar. Geri tepme kuvvetleri aşağıda açıklanan koruyucu önlemlerle önlenir.

a) Elektrikli el aletini sıkıca tutun ve bedeni ile ellerinizi geri tepme kuvvetlerini rahatça karşılayabilecek duruma getirin. Alet hızlanırken ortaya çıkabilecek geri tepme kuvvetlerini veya reaksiyon momentlerini optimal ölçüde karşılayabilmek için eğer varsa her zaman ek tutamağı kullanın. Kullanıcı uygun önlemler alarak geri tepme ve reaksiyon kuvvetlerine hakim olabilir.

b) Elinizi hiçbir zaman dönen ucun yakınına getirmeyin. Uç geri tepme sırasında elinize doğru hareket edebilir.

c) Rotatif kesme diskinin önündeki ve arkasındaki alandan durmaktan sakınınız. Geri tepme elektrikli aleti, kesme diskinin bloke olduğu noktadaki hareketinin ters yönüne doğru itmektir.

d) Özellikle köşeleri, keskin kenarları ve benzerlerini işlerken dikkatli olun. Uçun iş parçasından dışarı çıkmasını ve takılıp sıkışmasını önleyin. Dönmekte olan uç köşelerde, keskin kenarlarda çalışırken sıkışmaya eğilimlidir. Bu ise kontrol kaybına veya geri tepmeye neden olur.

e) Zincirli veya dişli testere ve de 10 mm'den geniş kertikleri olan bölünmüş elmaslı diskler kullanmayınız. Bu tür uçlar genelde geri tepmeye veya elektrikli alet üzerindeki hakimiyetin kaybedilmesine neden olurlar.

f) Kesici taşlama diskinin bloke olmamasını sağlayan veya bu diske yüksek bastırma kuvveti uygulamayın. Aşırı derinlikte kesme yapmayın. Kesici taşlama ucuna aşırı yüklenme açıldırma yapılmasına veya blokaja neden olabilir ve bunun sonunda da geri tepme kuvveti oluşabilir veya taşlama ucu kırılabilir.

g) Kesici taşlama diski sıkışacak olursa veya siz işe ara verirken elektrikli el aletini kapatın ve disk tam olarak duruncaya kadar aleti sakın biçimde tutun. Dönmekte olan kesici taşlama diskinin hiçbir zaman kesme yerinden çıkarmayı denemeyin, aksi takdirde geri tepme kuvveti oluşabilir. Sıkışmanın nedenini tespit edin ve giderin.

h) Elektrikli el aleti iş parçası içinde bulunduğu sürece onu tekrar çalıştırmayın. Kesme işine dikkatli biçimde devam etmeden önce kesme diskinin en yüksek devire ulaşmasını bekleyin. Aksi takdirde disk takılabilir, iş parçasından çıkabilir veya bir geri tepme kuvveti oluşabilir.

i) Kesici taşlama diskinin sıkışması sonucu oluşabilecek geri tepme kuvvetlerini önlemek için büyük levha veya iş parçalarını destekleyin. Büyük iş parçaları kendi ağırlıkları ile bükülebilir. Büyük iş parçaları iki yandan desteklenmelidir, hem kesme hattının yakınından hem de kenardan.

j) Duvarlar veya diğer gördürmeyen alanların olduğu yerlerde özellikle "cep kesmelerinde" dikkatli olun. Malzeme içine dalan kesici taşlama diskleri kesme işlemi sırasında gaz veya su burularına, elektrik kablolarına veya diğer nesnelere rastlayarak geri tepme kuvveti oluşturabilirler.

DUVAR KANAL FREZESİ VE TOZ EMME SİSTEMİ

Duvar kanal frezesini sadece M toz sınıfındaki toz emme sistemleriyle birlikte kullanınız. Başka kombinasyonlar tozların daha kötü toplanmasına ve ayrılmasına neden olabilir.

Toz emme sisteminin ve filtrelerin çalıştırılması, bakımı ve temizliğiyle ilgili bilgilere dikkat ediniz. Toz biriktirme kapları dolduğunda bunları derhal boşaltınız.

Sadece öngörülen emme hortumunu kullanınız. Emme hortumu üzerine değişiklikler yapmayınız. Emme hortumu içine taş parçacıkları girdiğinde çalışmaya ara veriniz ve emme hortumunu hemen temizleyiniz. Emme hortumunun bükülmesini önleyiniz.

Filtreleri düzenli aralıklarda temizleyiniz ve değiştiriniz; filtreleri / filtre bileşenlerini çıkartmayınız.

Duvar kanal frezesi ve kesme disklerini zemine uygun olarak seçiniz. Üretici zemine göre farklı kesme diskleri sunmaktadır.

Elmaslı kesme diskleri kullanınız. Segmanlı elmas kesme diskleri sadece negatif kesme açılı olmalı ve segmanlar arasındaki açıklık 10 mm'den geniş olmamalıdır.

Kesme disklerini zamanında değiştiriniz veya bileyiniz. Kesme gücünün azalmasına, kesme disklerinin aşınmış olup olmadığını ve değiştirilmesi veya bilyenmesi gerekip gerekmediğini kontrol ediniz.

Daldırma işlemini ve çalışma sürecini işletme kılavuzunda tarif edildiği gibi yapınız.

ÇALIŞMA YERİ

İnşaatlardaki çalışma yerlerinin genel taleplerinin (yeterli aydınlatma, düşme yerlerinin önlenmesi) yerine getirilmesini sağlayınız. Güvenlik uyarılarına dikkat ediniz. İyi bir havalandırma sağlayınız.

Serbest bir çalışma alanı sağlayınız. Uzun kanallarda toz emme sistemi aleti serbestçe takip edebilmeli veya zamanında takip edebilmelidir.

İŞ ORGANİZASYONU

Kulaklık, göz koruması, solunum maskesi ve gerektiğinde eldiven kullanınız. Solunum maskesi olarak en az, parçacık filtreleyen FFP2 sınıfı yarım maske kullanınız.

Çalışma yerinin temizlenmesi için toz emme sistemini kullanınız. Biriken tozları süpürerek savurmayınız.

TAŞIMA, KULLANIM, DEPOLAMA

Elmaslı kesme diskleri itinayla kullanılmalı ve taşınmalıdır. Mümkün olduğu kadar orijinal ambalajı veya başka bir uygun ambalaj kullanınız.

Diskler kuru ortamda, mekanik hasarlara maruz kalmayacak şekilde depolanmalıdır.

Kesme disklerini darbelerle, çarpmalar ve zararlı çevre etkilerine karşı koruyunuz.

ŞEBEKE BAĞLANTISI

Aleti sadece tek fazlı alternatif akıma ve tip etiketi üzerinde belirtilen şebeke gerilimine bağlayın. Yapısı Koruma sınıfı II'ye girdiğinden alet koruyucu kontaksız prize de bağlanabilir.

KULLANIM

Kanal açma makinesi paralel olarak hareket eden iki elmas kesme bıçağı sayesinde her türlü duvarda tesisat ve kablo kanallarını rahatlıkla açar.

Bu alet sadece belirttiği gibi ve usulüne uygun olarak kullanılabilir.

Açık havadaki prizler hatalı akım koruma şalteri (FI, RCD, PRCD) ile donatılmış olmalıdır. Bu, elektrik tesisatındaki bir zorunluluktur. Lütfen aletimizi kullanırken bu hususa dikkat edin.

CE UYGUNLUK BEYANI

Tek sorumlu olarak "Teknik Veriler" bölümünde tarif edilen ürünün 2011/65/EU (RoHS), 2014/30/EU, 2006/42/EC sayılı direktifin ve aşağıdaki harmonize temel belgelerin bütün önemli hükümlerine uygun olduğunu beyan etmekteyiz:

EN 60745-1:2009 + A11:2010
EN 60745-2-22:2011 + A11:2013
EN 55014-1:2017
EN 55014-2:2015
EN 61000-3-2:2014
EN 61000-3-3:2013
EN 50581:2012

Winnenden, 2018-02-26



Alexander Krug
Managing Director



Teknik evrakları hazırlamakla görevlendirilmiştir.

Techtronic Industries GmbH
Max-Eyth-Straße 10
71364 Winnenden
Germany

ÇALIŞIRKEN DİKKAT EDİLECEK HUSUSLAR

Motor aşırı ölçüde zorlandığında makine otomatik olarak stop eder. Soğuma gerçekleşikten sonra zorlanma düşmesine basarak makineyi tekrar çalıştırın. Aşırı zorlanma emniyeti tarafından makine sık sık stop ediyorsa kesme kuvvetini veya kesme derinliğini azaltın.

Kademesiz kesme genişliği ayar sistemi, kesme genişliği doğru olarak ayarlandığında düşenecek boru veya benzerlerinin oluğa tam olarak yerleşmesini ve düşmeye karşı çivi veya benzeri araçlarla emniyete alınma zorunluluğunu ortadan kaldırır.

Körelen elmas kesme bıçaklarını (çalışma sırasında aşırı kıvılcım çıkmasından anlaşılır) kireçli kum taşında birçok kez kesme yaparak veya bir biley taşı ile bileyin.

Kesme diskleri çalışma sırasında çok ısınır; soğumadan tutmayın.

BAKIM

Aletin havalandırma aralıklarını daima temiz tutun.

Sadece Milwaukee aksesuarını ve yedek parçalarını kullanın. Değiştirilmesi açıklanmamış olan parçaları bir Milwaukee müşteri servisinde değiştirin (Garanti broşürüne ve müşteri servisi adreslerine dikkat edin).

Gerektiğinde cihazın ayrıntılı çizimini, güç levhası üzerindeki makine modelini ve altı haneli rakamı belirterek müşteri servisinizden veya doğrudan Techtronic Industries GmbH, Max-Eyth-Straße 10, 71364 Winnenden, Germany adresinden isteyebilirsiniz.

SEMBOLLER



DİKKAT! UYARI! TEHLİKE!



Aletin kendinde bir çalışma yapmadan önce fişi prizden çekin.



Lütfen aleti çalıştırmadan önce kullanma kılavuzunu dikkatli biçimde okuyun.



Aletle çalışırken daima koruyucu gözlük kullanın.



Koruyucu kulaklık kullanın!



Koruyucu solunum maskesi olarak en azından FFP2 sınıfı filtrasyon yapan bir yarım maske takın



Koruyucu eldivenlerinizi takınız!



Aksesuar - Teslimat kapsamında değildir, önerilen tamamlamalar aksesuar programında.



Elektrikli cihazların evsel atıklarla birlikte bertaraf edilmesi yasaktır. Elektrikli ve elektronik cihazlar ayrılarak biriktirilmeli ve çevreye zarar vermeden bertaraf edilmeleri için bir atık değerlendirme tesisine götürülmelidir. Yerel makamlara veya satıcınıza geri dönüşüm tesisleri ve atık toplama merkezlerinin yerlerini danışınız.



Koruma sınıfı II olan elektrikli aletler. Elektrik çarpmasına karşı korumanın sadece temel izolasyona bağlı olmayıp, aynı zamanda çift izolasyon veya takviyeli izolasyon gibi ek koruyucu önlemlerin alınmasına bağlı olan elektrikli alet. Bir koruyucu iletken bağlamak için düzeneği bulunmamaktadır.



CE işareti



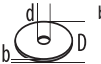
Regulatory Compliance Mark (RCM). Ürün yürürlükteki kuralları karşılamaktadır.



Ulusal uygunluk işareti Ukrayna



EurAsian Uyumluluk işareti

Technická data	WCS 45
Drážkovací fréza na zdivo	
Výrobní číslo	4632 81 03... 3930 04 04... ...000001-999999
Jmenovitý příkon	1900 W
Jmenovité otáčky	6200 min ⁻¹
D=Maximální ø diamantového řezného kotouče d=ø otvoru	150 mm 22,2 mm
 b=Tloušťka rozbrušovacího kotouče min. / max.	2,4 / 2,6 mm
Řezná hloubka	0-45 mm
Šířka řezu	17-45 mm
Hmotnost podle prováděcího předpisu EPTA 01/2014	6,6 kg
Informace o hluku / vibracích Naměřené hodnoty odpovídají EN 60 745. V třídě A posuzovaná hladina hluku přístroje činí typicky: Hladina akustického tlaku (Kolísavost K=3dB(A)) Hladina akustického výkonu (Kolísavost K=3dB(A))	99 dB(A) 110 dB(A)
Používejte chrániče sluchu ! Celkové hodnoty vibrací (vektorový součet tří směrů) zjištěné ve smyslu EN 60745. Hodnota vibračních emisí a _n Kolísavost K=	6,5 m/s ² 1,5 m/s ²

VAROVÁNÍ

Úroveň chvění uvedená v tomto návodu byla naměřena podle metody měření stanovené normou EN 60745 a může být použita pro porovnání elektrického nářadí. Hodí se také pro průběžný odhad zatížení chvěním.

Uvedená úroveň chvění představuje hlavní účely použití elektrického nářadí. Jestliže se ale elektrické nářadí používá pro jiné účely, s odlišnými nástroji nebo s nedostatečnou údržbou, může se úroveň chvění odlišovat. To může značně zvýšit zatížení chvěním během celé pracovní doby.

Pro přesný odhad zatížení chvěním se musí také zohlednit časy, během kterých je přístroj vypnutý nebo kdy je sice v chodu, ale skutečně se s ním nepracuje. To může zatížení chvěním během celé pracovní doby značně snížit.

Stanovte doplňková bezpečnostní opatření pro ochranu obsluhy před účinky chvění jako například: technická údržba elektrického nářadí a nástrojů, udržování teploty rukou, organizace pracovních procesů.

⚠ UPOZORNĚNÍ! Přečtěte si všechny bezpečnostní pokyny a návody. Zanedbání při dodržování varovných upozornění a pokynů mohou mít za následek úder elektrickým proudem, požár a/nebo těžká poranění. **Všechna varovná upozornění a pokyny do budoucna uschovejte.**

⚠ BEZPEČNOSTNÍ POKYNY PRO ROZBRUŠOVAČKY

a) Ochranný kryt patřící k elektrickému nářadí musí být bezpečně nasazený a nastavený tak, aby se dosáhla maximální míra bezpečnosti, t.j. aby byla nejmenší možná část brusného kotouče na straně obsluhy odkrytá. Zdržujte se a osoby nacházející se v blízkosti mimo úroveň rotujícího brusného kotouče. Ochranný kryt má obsluhu chránit před úlomky a náhodným kontaktem s brusným kotoučem.

b) Používejte výhradně vázané zpevněné nebo diamantem osazené rozbrušovací kotouče pro vaše elektrické nářadí. Pouze to, že příslušenství dokážete připevnit na vaše elektrické nářadí, nezaručuje jeho bezpečné použití.

c) Přípustný počet otáček vkládaného nástroje musí být minimálně stejně vysoký jako maximální počet otáček uvedený na elektrickém nářadí. Příslušenství, které se točí rychleji, než je přípustné, se může rozbit a rozletět do okolí.

d) Brusná tělesa směji být použita pouze pro doporučené možnosti nasazení. Např.: nikdy nebruste boční plochou dělicího kotouče. Dělicí kotouče jsou určeny k úběru materiálu hranou kotouče. Boční působení síly na tato brusná tělesa je může rozlámat.

e) Pro vámi zvolený řezný kotouč používejte vždy nepoškozené upínací příruby ve správné velikosti. Vhodné příruby podírají řezný kotouč, a snižují tak nebezpečí zlomení řezného kotouče.

f) Nepoužívejte žádné opotřebované brusné kotouče od většího elektronářadí. Brusné kotouče pro větší elektronářadí nejsou dimenzovány pro vyšší otáčky menších elektronářadí a mohou prasknout.

g) Vnější průměr a tloušťka vkládaného nástroje musí odpovídat rozměrovým údajům vašeho elektrického přístroje. Špatně vyměřené vkládané nástroje nelze dostatečně zakrýt ani kontrolovat.

h) Brusné kotouče a příruby musí přesně přiléhat k vřetenу brusného kotouče vašeho elektrického nářadí. Nasazené pracovní nástroje, které přesně nepřiléhají k vřetenу brusného kotouče elektrického nářadí, se otáčejí nerovnoměrně, velmi silně vibrují a mohou vést ke ztrátě kontroly nad nářadím.

i) Poškozené brusné kotouče nepoužívejte. Před každým použitím brusné kotouče zkontrolujte, jestli na nich nejsou odloupené části a trhliny. Když elektrické nářadí nebo brusný kotouč spadne, tak zkontrolujte, jestli nejsou poškozené, nebo použijte nepoškozený brusný kotouč. Když jste si brusný kotouč zkontrolovali a nasadili jej zpět, tak se zdržujte a osoby nacházející se v blízkosti mimo úroveň rotujícího brusného kotouče a přístroj nechte minutu běžet na nejvyšších otáčkách. Poškozené brusné kotouče během doby testování většinou prasknou.

j) Noste osobní ochranné vybavení. Podle aplikace použijte ochranu celého obličje, ochranu očí nebo ochranné brýle. Taktéž adekvátně noste ochrannou

masku proti prachu, ochranu sluchu, ochranné rukavice nebo speciální zástěru, jež Vás ochrání před malými částicemi brusiva a materiálu. Oči mají být chráněny před odletujícími cizími tělísky, jež vznikají při různých aplikacích. Protiprachová maska či respirátor musejí při používání vznikatý prach odfiltrovat. Pokud jste dlouho vystaveni silnému hluku, můžete utrpět ztrátu sluchu.

k) Zajistěte, aby se ostatní osoby zdržovaly v bezpečné vzdálenosti od vašeho pracoviště. Každý, kdo vstoupí na pracoviště, musí nosit osobní ochranné pomůcky. Úlomky obrobku nebo odlomené vložené nástroje mohou odlétnout a způsobit zranění i mimo oblast bezprostředního pracoviště.

l) Při provádění prací, při kterých nástroj může narazit na skryta elektrická vedení nebo na vlastní kabel, držte přístroj za izolované předřizovací plošky. Kontakt řezného nástroje s vedením pod napětím může vést k přenosu napětí na kovové části přístroje a k úrazu elektrickým proudem.

m) Držte síťový kabel daleko od otáčejících se nasazovacích nástrojů. Když ztratíte kontrolu nad strojem, může být přerušen nebo zachycen síťový kabel a Vaše ruka nebo paže se může dostat do otáčejícího se nasazovacího nástroje.

n) Elektrické nářadí nesmíte nikdy odložit dříve, než se vložený nástroj zcela zastaví. Otáčející se vložený nástroj se může dostat do kontaktu s odkládací plochou, a vy tak můžete ztratit kontrolu nad elektrickým přístrojem.

o) Nenechte elektronářadí běžet po dobu, co jej nesete. Váš oděv může být náhodným kontaktem s otáčejícím se nasazovacím nástrojem zachycen a nasazovací nástroj se může zavrtat do Vašeho těla.

p) Čistěte pravidelně větrací otvory Vašeho elektronářadí. Ventilátor motoru vtahuje do tělesa prach a silné nahromadění kovového prachu může způsobit elektrická rizika.

q) Elektrický přístroj nepoužívejte v blízkosti hořlavých materiálů. Jiskry mohou tyto materiály zapálit.

r) Nepoužívejte vkládané nástroje, které vyžadují tekutou chladiva. Použití vody nebo jiných tekutých chladiv může způsobit zásah elektrickým proudem.

Další bezpečnostní pokyny pro použití rozbrušovačky

Zpětný ráz a odpovídající bezpečnostní pokyny

Zpětný ráz je náhlou reakcí na zaseknutý nebo zablokovaný otáčející se brusný kotouč. Zaseknutí nebo zablokování vede k náhlému zastavení rotujícího nasazeného pracovního nástroje. Vlivem toho se elektrické nářadí na zablokovaném místě nekontrolovatelně roztocí proti směru otáčení nasazeného pracovního nástroje.

Pokud se např. zpříchí nebo zablokuje brusný kotouč v obrobku, může se hrana brusného kotouče, která se zanojuje do obrobku, zakousnout a tím brusný kotouč vylomit nebo způsobit zpětný ráz. Brusný kotouč se potom pohybuje k nebo od obsluhující osoby, podle směru otáčení kotouče na místě zablokování. Při tom mohou brusné kotouče i prasknout.

Zpětný ráz je důsledek nesprávného nebo chybného použití elektronářadí. Lze mu zabránit vhodnými preventivními opatřeními, jak je následně popsáno.

a) Držte elektronářadí dobře pevně a uveďte Vaše tělo a paže do polohy, ve které můžete zachytit síly zpětného rázu. Je-li k dispozici, použijte vždy přidavnou rukojeť, abyste měli co největší možnou kontrolu nad silami zpětného rázu nebo reakčních momentů při rozběhu. Obsluhující osoba může vhodnými preventivními opatřeními zvládnout síly zpětného rázu a reakčního momentu.

b) Nikdy nedávejte Vaši ruku do blízkosti otáčejících se nasazovacích nástrojů. Nasazovací nástroj se při zpětném rázu může pohybovat přes Vaši ruku.

c) Vyhýbejte se oblastí před a za rotujícím rozbrušovacím kotoučem. Zpětný ráz vymrští ruční elektrické nářadí proti směru pohybu brusného kotouče na místě zablokování.

d) Zvlášť opatrně pracujte v místech rohů, ostrých hran apod. Zabraňte, aby se nasazovací nástroj odrazil od obrobku a vzpřičil. Rotující nasazovací nástroj je u rohů, ostrých hran a pokud se odrazí náhylný na vzpřičení se. Toto způsobí ztrátu kontroly nebo zpětný ráz.

e) Nepoužívejte žádný řetězový nebo ozubený pilový list ani segmentovaný diamantový kotouč s drážkami širšími než 10 mm. Takové pracovní nástroje často způsobují zpětný ráz nebo ztrátu kontroly nad elektrickým nářadím.

f) Zabraňte zablokování dělicího kotouče nebo příliš vysokému přítlaku. Neprovádějte žádné nadměrně hluboké řezy. Pretížení dělicího kotouče zvyšuje jeho namáhání a náhylnost ke vzpřičení nebo zablokování a tím možnost zpětného rázu nebo prasknutí brusného tělesa.

g) Jestliže dělicí kotouč uvízne nebo práci přerušíte, elektronářadí vypněte a vydržte v klidu než se kotouč zastaví. Nikdy se nepokoušejte ještě běžící dělicí kotouč vytáhnout z řezu, jinak může následovat zpětný ráz. Zjistěte a odstraňte příčinu uvíznutí.

h) Elektronářadí opět nezapínajte, dokud se nachází v obrobku. Nechte dělicí kotouč nejprve dosáhnout svých plných otáček, než budete v řezu opatrně pokračovat. Jinak se může kotouč zaseknout, vyskočit z obrobku nebo způsobit zpětný ráz.

i) Desky nebo velké obrobky podepřete, aby se zabránilo riziku zpětného rázu od sevřeného dělicího kotouče. Velké obrobky se mohou pod svou vlastní hmotností prohnut. Obrobek musí být podepřen na obou stranách a to jak v blízkosti dělicího řezu tak i na okraji.

j) Budte obzvlášť opatrní u "kapsovitých řezů" do stávajících stěn nebo jiných míst, kam není vidět. Zanořující se dělicí kotouč může při zařiznutí do plynových, vodovodních či elektrických vedení nebo jiných objektů způsobit zpětný ráz.

PRACOVNÍ SYSTÉM ZAŘÍZENÍ NA ODSÁVÁNÍ PRACHU DRÁŽKOVACÍ FRÉZY DO ZDIVA

Drážkovací frézu do zdiva používejte pouze se zařízením na odsávání prachu pracové třídy M. Jiné kombinace mohou vést k horšímu zachytávání a odlučování prachu.

Dodržujte pokyny k provozu, údržbě a čištění zařízení na odsávání prachu včetně filtrů. Pokud je nádoba na sběr prachu plná, okamžitě ji vyprázdněte.

Používejte jen stanovenou nasávací hadici. Nemanipulujte s nasávací hadicí. Jestliže se do nasávací hadice dostanou úlomky kamenů, práci přerušete a nasávací hadici okamžitě vyčistěte. Zabraňte zalomení nasávací hadice.

Filter pravidelně čistěte a vyměňujte; neodstraňujte žádné filtry / komponenty filtrů.

Drážkovací frézu do zdiva a řezací brusné kotouče si vyberte adekvátně podle podkladu. Výrobci nabízejí různé řezací brusné kotouče podle typu podkladu.

Používejte pouze diamantové řezací brusné kotouče. Segmentové diamantové kotouče směji mít jen záporný úhel sklonu řezu a maximální šterbiny mezi segmenty o velikosti 10 mm.

Řezací brusné kotouče včas vyměňte nebo nabruste. Při snížení výkonu řezání zkontrolujte, jestli nejsou řezací brusné kotouče opotřebované, jestli je není třeba vyměnit nebo nabrustit.

Proces ponoření a pracovní postup realizujte tak, jak je to popsané v návodu k obsluze.

PRACOVISTĚ

Je třeba zajistit dodržování všeobecných požadavků na pracoviště na stavbách (dostatečné osvětlení, vyhýbat se místům s nebezpečím pádu, atd.). Dodržujte bezpečnostní pokyny.

Postarejte se o dobré větrání.

Zabezpečte volné pracoviště. Při delších drážkách se zařízením na odsávání prachu musí dát volně přemístít nebo se musí dát včas přesunout.

ORGANIZACE PRÁCE

Používejte ochranu sluchu, ochranu očí, ochranu dýchacích orgánů a příp. rukavice. Jako ochranu dýchacích orgánů používejte minimálně polomasku filtrující částice třídy FFP2.

Zařízení na odsávání prachu použijte na vyčištění pracoviště. Usazený prach nikdy nerozvířujte zametáním.

PŘEPRAVA, MANIPULACE, USKLADNĚNÍ

S diamantovými kotouči se musí zacházet opatrně a je nutné je opatrně také přepravovat. Podle možnosti používejte originální obal nebo jiný vhodný obal.

Kotouče musí být uskladněny v suchém prostředí tak, aby nebyly vystaveny mechanickým poškozením.

Řezací brusné kotouče chraňte před úderu, nárazy a škodlivými vlivy životního prostředí.

PŘIPOJENÍ NA SÍŤ

Připojit pouze do jednofázové střídavé sítě o napětí uvedeném na štítku. Lze připojit i do zásuvky bez ochranného kontaktu neboť spotřebič je třídy II.

OBLAST VYUŽITÍ

Drážkovací fréza frézuje dvěma paralelními diamantovými kotouči drážky pro kabely či potrubí v libovolném druhu zdiva.

Toto zařízení lze používat jen pro uvedený účel.

Ve venkovním prostředí musí být zásuvky vybaveny proudovým chráničem (FI, RCD, PRCD). Je to vyžadováno instalačním předpisem pro toto el.zařízení. Dodržujte ho při používání tohoto nářadí, prosím.

CE-PROHLÁŠENÍ O SHODĚ

Výhradně na vlastní zodpovědnost prohlašujeme, že se výrobek popsaný v "Technických údajích" shoduje se všemi relevantními předpisy směrnice 2011/65/EU (RoHS), 2014/30/ES, 2006/42/ES a s následujícími harmonizovanými normativními dokumenty:

EN 60745-1:2009 + A11:2010
EN 60745-2-22:2011 + A11:2013
EN 55014-1:2017
EN 55014-2:2015
EN 61000-3-2:2014
EN 61000-3-3:2013
EN 50581:2012

Winnenden, 2018-02-26

Alexander Krug
Managing Director



Zplnomocněn k sestavování technických podkladů.

Techtronic Industries GmbH
Max-Eyth-Straße 10

71364 Winnenden
Germany

PRACOVNÍ UPOZORNĚNÍ

Při přetížení motoru se motor automaticky vypne. Po ochlazení stiskněte tlačítko přetížení a motor opět zapnete. Při častějším odpojování v důsledku přetížení snžte tlak při roušení nebo hloubku řezu.

Plynulé nastavení šířky řezu má tu výhodu, že při správně nastavené šíři řezu lze vloženou trubku či kabel vložit do drážky aniž by se pak nemusely zajišťovat hřebíky apod. proti vypadnutí.

Tupé diamantové kotouče (poznají se podle velkého množství odletujících jisker při práci) je nutné nabrousit vápencem či speciálním brusným kamenem.

Řezné kotouče jsou při práci velmi horké, nesahejte na ně dokud nevychladnou.

ÚDRŽBA

Větrací štěrbinu nářadí udržujeme stále čisté.

Používejte výhradně náhradní díly a příslušenství Milwaukee. Díly, jejichž výměna nebyla popsána, nechávejte vyměnit v odborném servisu Milwaukee. (Viz záruční list.)

V případě potřeby si můžete v servisním centru pro zákazníky nebo přímo od firmy Techtronic Industries GmbH, Max-Eyth-Straße 10, 71364 Winnenden, Německo vyžádat schematický náčrt jednotlivých dílů přístroje, když uvedete typ přístroje a šestimístné číslo na výkonovém štítku.

SYMBOLY



POZOR! VAROVÁN! NEBEZPEČÍ!



Před zahájením veškerých prací na stroji vytáhnout síťovou zástrčku ze zásuvky.



Před spuštěním stroje si pečlivě pročtěte návod k používání.



Při práci se strojem neustále nosit ochranné brýle.



Používejte chrániče sluchu !



Jako ochranu dýchacího ústrojí používejte minimálně poloobličejovou masku filtrující částice třídy FFP2 .



Používejte ochranné rukavice!



Příslušenství není součástí dodávky, viz program příslušenství.



Elektrické přístroje se nesmí likvidovat společně s odpadem z domácnosti. Elektrické a elektronické přístroje je třeba sbírat odděleně a odevzdat je v recyklačním podniku na ekologickou likvidaci. Na místních úřadech nebo u vašeho specializovaného prodejce se informujte na recyklační podniky a sběrné dvory.



Elektrický přístroj s třídou ochrany II. Elektrický přístroj, u kterého ochrana před zásahem el. proudem závisí nejen na základní izolaci, ale i na tom, že budou použita také doplňková ochranná opatření, jakými jsou dvojité izolace nebo zesílená izolace. Neexistuje žádné zařízení pro připojení ochranného vodiče.



Značka CE



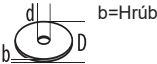
Regulatory Compliance Mark (RCM). Produkt splňuje platné předpisy.



Národní znak shody Ukrajiny



Euroasijská značka shody

Technické údaje	WCS 45
Murárska drážkovacia fréza	
Výrobné číslo	4632 81 03... 3930 04 04... ...000001-999999
Menovitý príkon	1900 W
Menovitý počet obrátok	6200 min ⁻¹
D=max. ø diamantového rezného kotúča d=ø otvoru	150 mm 22,2 mm
 b=Hrúbka rozbrusovacieho kotúča min. / max.	2,4 / 2,6 mm
Hĺbka rezu	0-45 mm
Šírka rezu	17-45 mm
Hmotnosť podľa vykonávacieho predpisu EPTA 01/2014	6,6 kg
Informácia o hluku / vibráciách Namerané hodnoty určené v súlade s EN 60 745. V triede A posudzovaná hladina hluku prístroja činí typicky: Hladina akustického tlaku (Kolísavosť K=3dB(A)) Hladina akustického výkonu (Kolísavosť K=3dB(A))	99 dB(A) 110 dB(A)
Používajte ochranu sluchu! Celkové hodnoty vibrácií (vektorový súčet troch smerov) zistených zmysle EN 60745. Hodnota vibračných emisií a _n Kolísavosť K=	6,5 m/s ² 1,5 m/s ²

POZOR

Úroveň vibrácií uvedená v týchto pokynoch bola nameraná meracou metódou, ktorú stanovuje norma EN 60745 a je možné ju použiť na vzájomné porovnanie elektrického náradia. Hodí sa aj na predbežné posúdenie kmitavého namáhania.

Uvedená úroveň vibrácií reprezentuje hlavné aplikácie elektrického náradia. Ak sa však elektrické náradie používa pre iné aplikácie, s odlišnými vloženými nástrojmi alebo s nedostatočnou údržbou, môže sa úroveň vibrácií líšiť. Toto môže kmitavé namáhanie v priebehu celej pracovnej doby podstatne zvýšiť.

Pre presný odhad kmitavého namáhania by sa mali tiež zohľadniť doby, v ktorých je náradie vypnuté alebo je síce v chode, ale v skutočnosti sa nepoužíva. Toto môže kmitavé namáhanie v priebehu celej pracovnej doby zreteľne redukovat'.

Stanovte dodatočné bezpečnostné opatrenia pre ochranu obsluhy pred účinkami vibrácií, ako napríklad: údržba elektrického náradia a vložených nástrojov, udržiavanie teploty rúk, organizácia pracovných postupov.

⚠ UPOZORNENIE! Prečítajte si všetky bezpečnostné pokyny a návody. Zanedbanie dodržiavania Výstražných upozornení a pokynov uvedených v nasledujúcom texte môže mať za následok zásah elektrickým prúdom, spôsobíť požiar a/alebo ťažké poranenie.
Tieto výstražné upozornenia a bezpečnostné pokyny starostlivo uschovajte na budúce použitie.

⚠ BEZPEČNOSTNÉ POKYNY PRE ROZBRUSOVAČKY

a) Ochranný kryt patriaci k elektrickému náradiu musí byť bezpečne nasadený a nastavený tak, aby sa dosiahla maximálna miera bezpečnosti, t.j. aby bola najmenšia možná časť brúsneho kotúča na strane obsluhy odkrytá. Držte seba a osoby nachádzajúce sa v blízkosti mimo úrovne rotujúceho brúsneho kotúča. Ochranný kryt má obsluhu chrániť pred útokmi a náhodným kontaktom s brúsnym kotúčom.

b) Používajte výhradne viazané spevnené alebo diamantom osadené rozbrusovacie kotúče pre vaše elektrické náradie. Len to, že príslušenstvo dokázate pripievať na vaše elektrické náradie, nezaručuje jeho bezpečné použitie.

c) Pripustné otáčky pracovného nástroja musia byť minimálne také vysoké ako najvyššie otáčky uvedené na elektrickom náradi. Príslušenstvo, ktoré sa otáča rýchlejšie, sa môže zlomiť a rozletieť.

d) Brúsne telesá sa smú používať len pre príslušnú odporúčanú oblasť používania. Napr.: Nikdy nesmiete brúsiť bočnou plochou rezacieho kotúča. Rezacie kotúče sú určené na uberanie materiálu hranou kotúča. Pôsobenie bočnej sily na tento kotúč môže spôsobiť jeho zlomenie.

e) Vždy používajte nepoškodenú upínaciu prírubu so správnou veľkosťou pre vami zvolený rezný kotúč. Vhodné príruby podopierajú rezný kotúč a znižujú tak nebezpečenstvo zlomenia rezného kotúča.

f) Nepoužívajte žiadne opotrebované brúsne kotúče z väčšieho ručného elektrického náradia. Brúsne kotúče pre väčšie ručné elektrické náradie nie sú dimenzované pre vyššie obrátky menších ručných elektrických náradí a môžu sa rozlomiť.

g) Vonkajší priemer a hrúbka pracovného nástroja musí zodpovedať údajom o rozmeroch vášho elektrického náradia. Zle zmerané pracovné nástroje nemôžu byť dostatočne chránené alebo kontrolované.

h) Brúsne kotúče a príruby musia presne priliehať k vretenu brúsneho kotúča vášho elektrického náradia. Nasadené pracovné nástroje, ktoré presne nepriliehajú k vretenu brúsneho kotúča elektrického náradia, sa otáčajú nerovnomerne, veľmi silno vibrujú a môžu viesť k strate kontroly nad náradím.

i) Poškodené brúsne kotúče nepoužívajte. Pred každým použitím brúsne kotúče skontrolujte, či na nich nie sú odlupnuté časti a trhliny. Keď elektrické náradie alebo brúsny kotúč spadne, tak skontrolujte, či nie sú poškodené, alebo použite nepoškodený brúsny kotúč. Keď ste si brúsny kotúč skontrolovali a nasadili ho späť, tak držte seba a osoby nachádzajúce sa v blízkosti mimo úrovne rotujúceho brúsneho kotúča a prístroj nechajte minútu bežať na najvyšších otáčkach. Poškodené brúsne kotúče počas doby testovania väčšinou prasknú.

j) Používajte osobné ochranné prostriedky. Podľa druhu použitia náradia používajte ochranný štít na celú tvár, štít na oči alebo ochranné okuliare. Pokiaľ je

to primerané, používajte ochrannú dýchaciu masku, chrániče sluchu, pracovné rukavice alebo špeciálnu zásteru, ktorá Vás uchráni pred odletujúcimi drobnými časticami brusiva a obrábaného materiálu. Predovšetkým oči treba chrániť pred odletujúcimi cudzími teleskami, ktoré vznikajú pri rôznom spôsobe používania náradia. Ochrana proti prachu alebo ochranná dýchacia maska musia predovšetkým odfiltrovať konkrétny druh prachu, ktorý vzniká pri danom druhu použitia náradia. Keď je človek dlhšiu dobu vystavený hlasnému hluku, môže utrpieť stratu sluchu.

k) V prípade iných osôb dbajte na bezpečnú vzdialenosť k vašej pracovnej oblasti. Každý, kto vstúpi do pracovnej oblasti, musí nosiť osobné ochranné vybavenie. Úlomky obrobku alebo zlomené pracovné nástroje môžu odletieť a spôsobiť úrazy aj mimo priamej pracovnej oblasti.

l) Pri realizovaní prác, pri ktorých nástroj môže naraziť na skryté elektrické vedenia alebo na vlastný kábel, držte prístroj za izolované pridrôvacie plošky. Kontakt rezného nástroja s vedením pod napätím môže viesť k prenosu napätia na kovové časti prístroja a k úrazu elektrickým prúdom.

m) Zabezpečte, aby sa prívodná šnúra nenachádzala v blízkosti rotujúcich pracovných nástrojov náradia. Ak stratíte kontrolu nad ručným elektrickým náradím, môže sa prerušiť alebo zachytiť prívodná šnúra a Vaša ruka a Vaše predlaktie sa môžu dostať do rotujúceho pracovného nástroja.

n) Elektrické náradie nikdy neodkladajte skôr, ako sa pracovný nástroj úplne zastaví. Otáčajúci sa pracovný nástroj sa môže dostať do styku s odkladacou plochou, čím môžete stratiť kontrolu nad elektrickým náradím.

o) Nikdy nemajte ručné elektrické náradie zapnuté vtedy, keď ho prenášate na iné miesto. Náhodným kontaktom Vašich vlasov alebo Vášho oblečenia s rotujúcim pracovným nástrojom by sa Vám pracovný nástroj mohol zavrtáť do tela.

p) Pravidelne čistite vetracie otvory svojho ručného elektrického náradia. Ventilátor motora vŕha do telesa náradia prach a veľké nahromadenie kovového prachu by mohlo spôsobiť vznik nebezpečného zásahu elektrickým prúdom.

q) Elektrické náradie nepoužívajte v blízkosti horľavých materiálov. Iskry môžu tieto materiály zapáliť.

r) Nepoužívajte žiadne pracovné nástroje, ktoré vyžadujú kvapalné chladiace prostriedky. Používanie vody alebo iných kvapalných chladiacich prostriedkov môže viesť k zásahu elektrickým prúdom.

Ďalšie bezpečnostné pokyny pre použitie rozbrusovačky

Spätný raz a príslušné bezpečnostné pokyny

Spätný raz je náhlou reakciou na zaseknutý alebo zablokovaný otáčajúci sa brúsny kotúč. Zaseknutie alebo zablokovanie vedie k náhlemu zastaveniu rotujúceho nasadeného pracovného nástroja. V dôsledku toho sa nekontrolovateľne elektrické náradie na zablokovanom mieste rozkrúti proti smeru otáčania nasadeného pracovného nástroja.

Keď sa napríklad brúsny kotúč vzpriechi alebo zablokuje v obrobku, môže sa hrana brúsneho kotúča, ktorá je zapichnutá do obrobku, zachytiť v materiáli a tým sa vylomiť z brúsneho taniera, alebo spôsobiť spätý ráz náradia. Brúsny kotúč sa potom pohybuje smerom k osobe alebo smerom preč od nej podľa toho, aký bol smer otáčania kotúča na mieste zablokovania. Brúsne kotúče sa môžu v takomto prípade aj rozlomiť.

Spätný ráz je následkom nesprávneho a chybného používania ručného elektrického náradia. Vhodnými preventívnymi opatreniami, ktoré popisujeme v nasledujúcom texte, mu možno zabrániť.

a) Ručné elektrické náradie vždy držte pevne a svoje telo a ruky udržiavajte vždy v takej polohe, aby ste vydržali prípadný spätý ráz náradia. Pri každej práci používajte prídavnú rukoväť, ak ju máte k dispozícii, aby ste mali čo najväčšiu kontrolu nad silami spätného rázu a reakčnými momentmi pri rozbehu náradia. Pomocou vhodných opatrení môže obsluhujúca osoba sily spätného rázu a sily reakčných momentov zvládnuť.

b) Nikdy nedávajte ruku do blízkosti rotujúceho pracovného náradia. Pri spätnom ráze by Vám mohol pracovný nástroj zasiahnuť ruku.

c) Vyhýbajte sa oblastí pred a za rotujúcim rozbrusovacím kotúčom. Spätný ráz vyvrstí ručné elektrické náradie proti smeru pohybu brúsneho kotúča na mieste zablokovania.

d) Mimoriadne opatrne pracujte v oblasti rohov, ostrých hrán a pod. Zabráňte tomu, aby obrobok vyvrstil pracovný nástroj proti Vám, alebo aby sa v ňom pracovný nástroj zablokoval. Rotujúci pracovný nástroj má sklon zablokovať sa v rohoch, na ostrých hranách alebo vtedy, keď je vyhodnotený. To spôsobí stratu kontroly nad náradím alebo jeho spätý ráz.

e) Nepoužívajte žiadny reťazový alebo ozubený pilový list ako ani segmentovaný diamantový kotúč s drážkami širšími ako 10 mm. Takéto pracovné nástroje často spôsobujú spätý ráz alebo stratu kontroly nad elektrickým náradím.

f) Vyhýbajte sa zablokovaniu rezacieho kotúča alebo použitiu príliš veľkého prítlaku. Nevykonávajte žiadne nadmierne hlboké rezy. Preťaženie rezacieho kotúča zvyšuje jeho namáhanie a náchylnosť na vzpriechenie alebo zablokovanie a tým zvyšuje aj možnosť vzniku spätného rázu alebo zlomenia rezacieho kotúča.

g) Ak sa rezací kotúč zablokuje, alebo ak prerušíte prácu, ručné elektrické náradie vypnite a pokojne ho držte dovtedy, kým sa rezací kotúč úplne zastaví. Nepokúšajte sa vyberať rezací kotúč z rezu vtedy, keď ešte beží, pretože by to mohlo mať za následok vyvolanie spätného rázu. Zistíte príčinu zablokovania rezacieho kotúča a odstránite ju.

h) Nikdy nezapínajte znova ručné elektrické náradie dovtedy, kým sa rezací kotúč nachádza v obrobku. Skôr ako budete opatrne pokračovať v reze, počkajte, kým dosiahne rezací kotúč maximálny počet obrátok. V opačnom prípade sa môže rezací kotúč zaseknúť, vyskočiť z obrobku alebo vyvolať spätý ráz.

i) Veľké platne alebo veľkorozmerné obrobky pri rezaní podoprite, aby ste znížili riziko spätného rázu zablokovaním rezacieho kotúča. Veľké obrobky sa môžu prehnúť následkom vlastnej hmotnosti. Obrobok treba podoprieť na oboch stranách, a to aj v blízkosti rezu aj na hrane.

j) Mimoriadne opatrny buďte pri rezaní výrezov do neznámych stien alebo do iných neprehľadných miest. Zapichovanie rezací kotúč môže pri zarezaní do plynového alebo vodovodného potrubia, do elektrického vedenia alebo iných objektov spôsobiť spätý ráz.

PRACOVNÝ SYSTÉM ZARIADENIA NA ODSÁVANIE PRACHU DRÁŽKOVACEJ FRÉZY DO MURIVA

Drážkovaciu frézu do muríva používajte iba so zariadením na odsávanie prachu pracovnej triedy M. Iné kombinácie môžu viesť k horšiemu zachytávaniu a odlučovaniu prachu.

Dodržiavajte pokyny k prevádzke, údržbe a čisteniu zariadenia na odsávanie prachu vrátane filtrov. Ak je nádoba na zber prachu plná, okamžite ju vyprázdňte.

Používajte iba stanovenú nasávaciu hadicu. Nemanipulujte s nasávacou hadicou. Ak sa do nasávacej hadice dostanú úlomky kameňov, prácu prerušte a nasávaciu hadicu okamžite vyčistite. Zabráňte zalomeniu nasávacej hadice.

Filter pravidelne čistite a vymieňajte; neodstraňujte žiadne filtre/ komponenty filtrov.

Drážkovaciu frézu do muriva a rezacie brúsne kotúče si vyberajte adekvátne podľa podkladu. Výrobcovia ponúkajú rôzne rezacie brúsne kotúče podľa podkladu.

Používajte iba diamantové rezacie brúsne kotúče. Segmentové diamantové kotúče smú mať iba záporný uhol sklonu rezu a maximálne štrbiny medzi segmentmi vo veľkosti 10 mm.

Rezacie brúsne kotúče včas vymeňte alebo nabrúste. Pri znížení výkonu rezania skontrolujte, či rezacie brúsne kotúče nie sú opotrebované, či ich netreba vymeniť alebo nabrúsiť.

Proces ponorenia a pracovný postup realizujte tak, ako je to popísané v návode na obsluhu.

PRACOVISKO

Treba zabezpečiť dodržiavanie všeobecných požiadaviek na pracoviská na stavbách (dostatočné osvetlenie, vyhýbať sa miestam s nebezpečenstvom pádu, atď.). Dodržiavajte bezpečnostné pokyny.

Postarajte sa o dobré vetranie.

Zabezpečte voľné pracovisko. Pri dlhších drážkach sa zariadenie na odsávanie prachu musí dať voľne premiestniť alebo sa musí dať včas presunúť.

ORGANIZÁCIA PRÁCE

Používajte ochranu sluchu, ochranu očí, ochranu dýchacích orgánov a príp. rukavice. Ako ochranu dýchacích orgánov používajte minimálne polomasku filtrujúcu častičky triedy FFP2.

Zariadenie na odsávanie prachu použite na vyčistenie pracoviska. Usadený prach nikdy nerozvírajte zametáním.

PREPRAVA, MANIPULÁCIA, USKLADNENIE

S diamantovými kotúčmi sa musí zaobchádzať opatrne a opatrne ich treba aj prepravovať. Podľa možnosti používajte originálny obal alebo iný vhodný obal.

Kotúče musia byť uskladnené v suchom prostredí tak, aby neboli vystavené mechanickým poškodeniam.

Rezacie brúsne kotúče chráňte pred údermi, nárazmi a škodlivými vplyvmi životného prostredia.

SIEŤOVÁ PRÍPOJKA

Prípáť len na jednofázový striedavý prúd a na sieťové napätie uvedené na štítku. Pripojenie je možné aj do zásuviek bez ochranného kontaktu, pretože ide o konštrukciu ochrannej triedy II.

POUŽITIE PODĽA PREDPISOV

Drážkovacia frézozačka do steny frézuje dvoma paralelne bežiacimi diamantovými reznými kotúčmi drážky pre potrubie a káble do všetkých druhov muriva.

Tento prístroj sa smie používať len v súlade s uvedenými predpismi.

Zásuvky vo vonkajšom prostredí musia byť vybavené ochranným spínačom proti prudovým nárazom (FI, RCD, PRCD). Toto je inštalčný predpis na Vaše elektrické zariadenie. Venujte prosím tomuto pozornosť pri používaní nášho prístroja.

CE - VYHLÁSENIE KONFORMITY

Výhradne na vlastnú zodpovednosť vyhlasujeme, že výrobok popísaný v "Technických údajoch" sa zhoduje so všetkými relevantnými predpismi smernice 2011/65/EU (RoHS), 2014/30/EU, 2006/42/EC a nasledujúcimi harmonizujúcimi normatívnymi dokumentmi:

EN 60745-1:2009 + A11:2010
EN 60745-2-22:2011 + A11:2013
EN 55014-1:2017
EN 55014-2:2015
EN 61000-3-2:2014
EN 61000-3-3:2013
EN 50581:2012

Winnenden, 2018-02-26



Alexander Krug
Managing Director



Splnomocnený zostaviť technické podklady.

Techtronic Industries GmbH
Max-Eyth-Straße 10
71364 Winnenden
Germany

POKYNY KU PRÁCI

Elektronika reguluje otáčky pri stúpajúcej záťaži.

Pri dlhšom preťažení prepne elektronika na redukované otáčky. Stroj zotrváva v pomalých otáčkach kvôli chladeniu vynutia motora. Po vypnutí a opätovnom zapnutí je možné so strojom ďalej pracovať v oblasti menovitého zaťaženia.

Pod vplyvom extrémnych elektromagnetických rušení z vonka sa môžu vyskytnúť v ojedinelých prípadoch dočasné výkyvy otáčok.

Tupé diamantové rezné kotúče (poznať podľa silného odletu iskier počas práce) prebrúsiť viacerými reznými do vápencového pieskovca alebo do špeciálnej osličky.

Rezné brúsne kotúče sa pri práci veľmi zohrejú; nedotýkať sa ich, kým nevychladnú.

ÚDRZBA

Vetracie otvory udržiavať stále v čistote.

Používať len Milwaukee príslušenstvo a náhradné diely. Súčiastky bez návodu na výmenu treba dať vymeniť v jednom z Milwaukee zákazníckych centier (viď brožúru Záruka/Adresy zákazníckych centier).

V prípade potreby si môžete v servisnom centre pre zákazníkov alebo priamo od firmy Techtronic Industries GmbH, Max-Eyth-Straße 10, 71364 Winnenden, Nemecko, vyžiadať schematický náčrt jednotlivých dielov prístroja pri uvedení typu prístroja a šesťmiestneho čísla na výkonnom štítku.

SYMBOLY



POZOR! NEBEZPEČENSTVO!



Pred každou prácou na stroji vytiahnite zástrčku zo zásuvky.



Pred prvým použitím prístroja si pozorne prečítajte návod na obsluhu.



Pri práci so strojom vždy nosite ochranné okuliare.



Používajte ochranu sluchu!



Ako ochranu dýchacieho ústrojenstva používajte minimálne polotvárovú masku filtrujúcu častice triedy FFP2.



Používajte ochranné rukavice!



Príslušenstvo - nie je súčasťou štandardnej výbavy, odporúčané doplnenie z programu príslušenstva.



Elektrické prístroje sa nesmú likvidovať spolu s odpadom z domácností. Elektrické a elektronické prístroje treba zbierať oddelene a odovzdať ich v recyklačnom podniku na ekologickú likvidáciu. Na miestnych úradoch alebo u vášho špecializovaného predajcu sa spýtajte na recyklačné podniky a zberné dvory.



Elektrický prístroj triedy ochrany II. Elektrický prístroj, pri ktorom ochrana pred zásahom el. prúdom závisí nie len od základnej izolácie, ale aj od toho, že budú použité aj doplnkové ochranné opatrenia, akými sú dvojité izolácie alebo zosilnená izolácia. Neexistuje žiadne zariadenie na pripojenie ochranného vodiča.



Značka CE



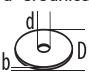
Regulatory Compliance Mark (RCM). Produkt spĺňa platné predpisy.



Národný znak zhody Ukrajiny



Euroázijská značka zhody

Dane techniczne	WCS 45
Bruzdownica	
Numer produkcyjny	4632 81 03... 3930 04 04... ...000001-999999
Znamionowa moc wyjściowa	1900 W
Znamionowa prędkość obrotowa	6200 min ⁻¹
D=Maksymalna średnica tarczy diamentowej d=średnica otworu obrabianego	150 mm 22,2 mm
 b=Grubość tarczy tnącej min. / maks.	2,4 / 2,6 mm
Głębokość cięcia:	0-45 mm
Szerokość cięcia	17-45 mm
Ciężar wg procedury EPTA 01/2014	6,6 kg
Informacja dotycząca szumów/wibracji Zmierzone wartości wyznaczone zgodnie z normą EN 60 745. Poziom szumów urządzenia oszacowany jako A wynosi typowo: Poziom ciśnienia akustycznego (Niepewność K=3dB(A)) Poziom mocy akustycznej (Niepewność K=3dB(A)) Należy używać ochroniaczy uszu! Wartości łączne drgań (suma wektorowa trzech kierunków) wyznaczone zgodnie z normą EN 60745 Wartość emisji drgań a _n Niepewność K=	99 dB(A) 110 dB(A) 6,5 m/s ² 1,5 m/s ²

OSTRZEŻENIE

Podany w niniejszych instrukcjach poziom drgań został zmierzony za pomocą metody pomiarowej zgodnej z normą EN 60745 i może być użyty do porównania ze sobą elektronarzędzi. Nadaje się on również do tymczasowej oceny obciążenia wibracyjnego.

Podany poziom drgań reprezentuje główne zastosowania elektronarzędzia. Jeśli jednakże elektronarzędzie użyte zostanie do innych celów z innymi narzędziami roboczymi lub nie jest dostatecznie konserwowane, wtedy poziom drgań może wykazywać odchylenia. Może to wyraźnie zwiększyć obciążenie wibracjami przez cały okres pracy.

Dla dokładnego określenia obciążenia wibracjami należy uwzględnić również czasy, w których urządzenie jest wyłączone względnie jest włączone, lecz w rzeczywistości nie pracuje. Może to spowodować wyraźną redukcję obciążenia wibracyjnego w całym okresie pracy.

Należy wprowadzić dodatkowe środki zapobiegawcze celem ochrony obsługującego przed oddziaływaniem drgań, jak na przykład: konserwacja narzędzi roboczych i elektronarzędzi, nagrzanie rąk, organizacja przebiegu pracy.

⚠ OSTRZEŻENIE! Należy przeczytać wszystkie wskazówki dotyczące bezpieczeństwa i instrukcje. Błędy w przestrzeganiu poniższych wskazówek mogą spowodować porażenie prądem, pożar i/lub ciężkie obrażenia ciała.
Należy starannie przechowywać wszystkie przepisy i wskazówki bezpieczeństwa dla dalszego zastosowania.

⚠ WSKAZÓWKI DOTYCZĄCE BEZPIECZEŃSTWA DLA PRZECINAREK

a) Należący do elektronarzędzia kołpak ochronny musi być założony w sposób pewny i nastawiony w taki sposób, żeby zostało osiągnięte maksimum bezpieczeństwa, tzn. żeby ku osobie obsługującej maszynę skierowana była jak najmniejsza część otwarta ściernicy. Zarówno obsługa jak i osoby znajdujące się w pobliżu powinny trzymać się poza płaszczyzną wirującą ściernicy. Kołpak ochronny powinien chronić osobę obsługującą maszynę przed odłamkami oraz przypadkową stycznością ze ściernicą.

b) Do elektronarzędzi używać wyłącznie tarcz tnących ze spoiwem o zwiększonej wytrzymałości lub tarcz tnących diamentowych. Sam fakt, że mozesz zamocować osprzęt na swoim elektronarzędziu, nie gwarantuje żadnego bezpiecznego użytkowania.

c) Dopuszczalna liczba obrotów osprzętu musi być przynajmniej tak wysoka, jak maksymalna liczba obrotów podana na urządzeniu elektrycznym. Osprzęt,

który obraca się szybciej niż jest to dozwolone, może pęknąć i zostać ciśnięty w powietrze.

d) Ściernic można używać tylko do prac dla nich przewidzianych. Nie należy np. nigdy szlifować boczną powierzchnią ściernicy tarczowej do cięcia. Tarczowe ściernice tnące przeznaczone są do usuwania materiału krawędzią tarczy. Wpływ sił bocznych na te ściernice może je złamać.

e) Korzystać tylko z nieuszkodzonych kołnierzy mocujących, dopasowanych wielkością do danej tarczy tnącej. Prawdopodobnie dobre kołnierze podpierają tarczę tnącą zmniejszając w ten sposób ryzyko jej złamania.

f) Nie należy używać zużytych ściernic z większych elektronarzędzi. Ściernice do większych elektronarzędzi nie są zaprojektowane dla wyższej liczby obrotów, która jest charakterystyką mniejszych elektronarzędzi i mogą się dlatego złamać.

g) Średnica zewnętrzna oraz grubość osprzętu tnącego musi odpowiadać wymiarom ustalonym dla stosowanego urządzenia elektrycznego. Osprzęt o nieprawidłowych wymiarach nie może być dostatecznie osłaniany ani kontrolowany.

h) Tarcze szlifierskie oraz kołnierze muszą być dokładnie dopasowane do wrzeciona ściernicy elektronarzędzia. Narzędzia nasadzone, które nie pasują dokładnie do wrzeciona ściernicy, obracają się nierównomiernie, bardzo silnie wibrują i mogą prowadzić do utraty kontroli nad narzędziem.

i) Nie należy użytkować żadnych uszkodzonych ściernic. Przed każdym użyciem należy skontrolować ściernice pod względem odprysków i pęknięć. Jeżeli elektronarzędzie lub ściernica spadnie, to należy sprawdzić, czy nie została ona uszkodzona lub użyć nieuszkodzonej ściernicy. Po skontrolovaniu i nasadzeniu ściernicy zarówno obsługa jak i osoby znajdujące się w pobliżu powinny trzymać się poza płaszczyzną wirującą ściernicy i należy pozwolić, żeby urządzenie pracowało przez minutę na najwyższych obrotach. Uszkodzone ściernice przeważnie pękają w trakcie tego czasu testowego.

j) Należy nosić osobiste wyposażenie ochronne. W zależności od rodzaju pracy, należy nosić maskę ochronną pokrywającą całą twarz, ochronę oczu lub okulary ochronne. W razie potrzeby należy użyć maski przeciwpyłowej, ochrony słuchu, rękawic ochronnych lub specjalnego fartucha, chroniącego przed małymi cząstkami ściieranego i obrabianego materiału. Należy chronić oczy przed unoszącymi się w powietrzu ciałami obcymi, powstałymi w czasie pracy. Maski przeciwpyłowa i ochronna dróg oddechowych muszą filtrować powstający podczas pracy pył. Oddziaływanie hałasu przez dłuższy okres czasu, może doprowadzić do utraty słuchu.

k) Zwrócić uwagę na to, aby osoby postronne również zachowywały bezpieczny odstęp od stanowiska pracy operatora urządzenia. Każdy, kto znajduje się w obrębie stanowiska pracy, musi posiadać odzież ochronną. Odłamki obrabianego materiału oraz uszkodzony osprzęt może wirować w powietrzu i być źródłem skaleczeń także poza głównym obszarem pracy.

l) Trzymaj urządzenie za izolowane powierzchnie chwytne gdy wykonujesz roboty, w trakcie których narzędzie skrawające może natrafić na ukryte przewody prądowe lub na własny kabel. Stycznosc narzędzia skrawającego z będącym pod napięciem przewodem może spowodować podłączenie części metalowych urządzenia do napięcia i prowadzić do porażenia prądem elektrycznym.

m) Przewód sieciowy należy trzymać z dala od obracających się narzędzi roboczych. W przypadku utraty kontroli nad narzędziem, przewód sieciowy może zostać przecięty lub wciągnięty, a dłoń lub cała ręka mogą dostać się w obracające się narzędzie robocze.

n) Nigdy nie odkładaj urządzenia zanim obrotowy osprzęt tnący całkowicie się nie zatrzyma. Obracające się narzędzia mogłyby nawiązać kontakt z powierzchnią, na którą zostały odłożone, przez co operator mógłby stracić kontrolę nad urządzeniem.

o) Nie wolno przenosić elektronarzędzia, znajdującego się w ruchu. Przypadkowy kontakt ubrania z obracającym się narzędziem roboczym może spowodować jego wciągnięcie i wwiercenie się narzędzia roboczego w ciało osoby obsługującej.

p) Należy regularnie czyścić szczeliny wentylacyjne elektronarzędzia. Dmuchawa silnika wciąga kurz do obudowy, a duże nagromadzenie pyłu metalowego może spowodować zagrożenie elektryczne.

q) Nie korzystać z urządzenia elektrycznego w pobliżu materiałów palnych. Iskry mogłyby bowiem doprowadzić do ich zapalenia się.

r) Nie korzystać z osprzętu wymagającego użycia płynnych czynników chłodzących. Korzystanie z wody lub innych płynnych czynników chłodzących może prowadzić do porażenia prądem.

Dalsze wskazówki dotyczące bezpieczeństwa dla stosowania ściernic przecinających.

Odrzut i związane z nim wskazówki bezpieczeństwa

Odrzut jest nagłą reakcją powstałą wskutek zacięcia lub zakleszczenia obracającej się ściernicy. Zacięcie lub zakleszczenie prowadzi do nagłego zastopowania wirującego narzędzia nasadzanego. Wskutek tego

niekontrolowane elektronarzędzie zostaje przyspieszone w kierunku przeciwnym do obrotów narzędzia nasadzanego w miejscu blokady.

Gdy, np. ściernica zatnie się lub zakleszczy w obrabianym przedmiocie, zanurzona w materiale krawędź ściernicy, może się zablokować i spowodować jej wypadnięcie lub odrzut. Ruch ściernicy (w kierunku osoby obsługującej lub od niej) uzależniony jest wtedy od kierunku ruchu ściernicy w miejscu zablokowania. Oprócz tego ściernice mogą się również złamać.

Odrzut jest następstwem niewłaściwego lub błędnego użycia elektronarzędzia. Można go uniknąć przez zachowanie opisanych poniżej odpowiednich środków ostrożności.

a) Elektronarzędzie należy mocno trzymać, a ciało i ręce ustawić w pozycji, umożliwiającej zlagodzenie odrzutu. Jeżeli w skład wyposażenia standardowego wchodzi uchwyt dodatkowy, należy go zawsze używać, żeby mieć jak największą kontrolę nad siłami odrzutu lub momentem odwodzącym podczas rozruchu. Osoba obsługująca urządzenie może opanować szarpnięcia i zjawisko odrzutu poprzez zachowanie odpowiednich środków ostrożności.

b) Nie należy nigdy trzymać rąk w pobliżu obracających się narzędzi roboczych. Narzędzie robocze może wskutek odrzutu zranić rękę.

c) Unikaj obszaru przed i za wirującą ściernicą. Odrzut napędza elektronarzędzie w kierunku przeciwnym do ruchu ściernicy w miejscu zablokowania.

d) Szczególnie ostrożnie należy obrabiać narożniki, ostre krawędzie itd. Należy zapobiegać temu, by narzędzia robocze zostały odbite lub by się one zablokowały. Obracające się narzędzie robocze jest bardziej podatne na zakleszczenie przy obróbce kątów, ostrych krawędzi lub gdy zostanie odbite. Może to stać się przyczyną utraty kontroli lub odrzutu.

e) Nie należy używać żadnego brzeszczotu do pił łańcuchowych lub brzeszczotu ząbkowanego ani żadnej segmentowej tarczy diamentowej o szczelinach większych niż 10 mm. Takie narzędzia nasadzone powodują często odrzut lub utratę kontroli nad elektronarzędziem.

f) Należy unikać zablokowania się tarczy tnącej lub za dużego nacisku. Nie należy przeprowadzać nadmiernie głębokich cięć. Przeciążenie tarczy tnącej podwyższa jej obciążenie i jej skłonność do zakleszczenia się lub zablokowania i tym samym możliwość odrzutu lub złamania się tarczy.

g) W przypadku zakleszczenia się tarczy tnącej lub przerwy w pracy, elektronarzędzie należy wyłączyć i odczekać, aż tarcza całkowicie się zatrzyma. Nigdy nie należy próbować wyciągać poruszającej się jeszcze tarczy z miejsca cięcia, gdyż może to wywołać odrzut. Należy wykryć i usunąć przyczynę zakleszczenia się.

h) Nie włączać ponownie elektronarzędzia, dopóki znajduje się ono w materiale. Przed kontynuacją cięcia, tarcza tnąca powinna osiągnąć swoją pełną prędkość obrotową. W przeciwnym wypadku ściernica może się zacczepić, wyskoczyć z przedmiotu obrabianego lub spowodować odrzut.

i) Płyty lub duże przedmioty należy przed obróbką podeprzeć, aby zmniejszyć ryzyko odrzutu, spowodowanego przez zakleszczoną tarczę. Duże przedmioty mogą się ugiąć pod ciężarem własnym. Obrabiany przedmiot należy podeprzeć z obydwu stron, zarówno w pobliżu linii cięcia jak i przy krawędzi.

j) Zachować szczególną ostrożność przy wycinaniu otworów w ścianach lub operowaniu w innych niewidocznych obszarach. Wgłębiając się w materiał tarcza tnąca może spowodować odrzut narzędzia po natrafieniu na przewody gazowe, wodociągowe, przewody elektryczne lub inne przedmioty.

SYSTEM ROBOCZY FREZARKA DO ROWKÓW W MURACH - ODPYLACZ

Frezarki do rowków w murach należy używać wyłącznie z odpylaczami klasy M. Inne konfiguracje mogą prowadzić do gorszego zbierania i odkładania się pyłu.

Należy przestrzegać instrukcji dotyczących pracy, konserwacji i czyszczenia odpylacza łącznie z filtrami. Po zapelnieniu pojemnika zbiorczego na pył należy go natychmiast opróżnić.

Używać tylko przewidzianych do tego celu węży ssących. Nie manipulować węzłem ssącym. Jeśli do węża ssącego przedostaną się kawałki muru, pracę należy przerwać i wąż ssący natychmiast oczyścić. Unikać załamywania węża ssącego.

Regularnie czyścić i wymieniać filtry; nie wyjmować filtrów / komponentów filtrów.

Frezarkę do rowków w murach i tarcze tnące dobierać stosownie do podłoża. W zależności od podłoża producenci oferują różne tarcze tnące.

Należy stosować tylko tarcze tnące z nasypem diamentowym. Segmentowe tarcze diamentowe mogą posiadać tylko ujemne kąty ostrza i szczeliny pomiędzy poszczególnymi segmentami o maksymalnej wielkości 10 mm.

Tarcze tnące należy wymieniać wzgl. ostrzyć we właściwym czasie. W przypadku obniżenia wydajności cięcia należy skontrolować, czy tarcze tnące nie są zużyte i nie wymagają wymiany wzgl. naostrzenia.

Operację zagłębiania i proces roboczy wykonywać tak, jak to zostało opisane w instrukcji obsługi.

STANOWISKO PRACY

Należy zapewnić przestrzeganie ogólnych wymagań dotyczących stanowisk pracy na budowach (wystarczające oświetlenie, unikanie miejsc potencjalnego upadku itd.). Przestrzegać przepisów bezpieczeństwa pracy.

Zadbać o dobre przewietrzanie.

Zapewnić swobodną przestrzeń do pracy. W przypadku dłuższych rowków odpylacz winien posiadać możliwość przemieszczania wzgl. należy go zawczasu przemieścić w odpowiednie miejsce.

ORGANIZACJA PRACY

Używać ochrony słuchu, okularów ochronnych, ochrony dróg oddechowych oraz w razie potrzeby rękawic. Jako ochronę dróg oddechowych stosować co najmniej półmaskę filtrującą cząstki klasy FFP2.

Używać odkurzaczy do czyszczenia miejsca pracy. Nie wznosić chmury pyłu poprzez zamiatanie.

TRANSPORT, OBCHODZENIE SIĘ, PRZECHOWYWANIE

Z diamentowymi tarczami tnącymi należy postępować z dbałością i transportować je ostrożnie. W miarę możliwości należy używać opakowania oryginalnego lub innego odpowiedniego opakowania.

Tarcze należy przechowywać w suchym miejscu w taki sposób, aby nie były narażone na jakiegokolwiek uszkodzenia mechaniczne.

Chronić tarcze tnące przed uderzeniami i szkodliwymi wpływami otoczenia.

PODŁĄCZENIE DO SIECI

Podłączać tylko do źródła zasilania prądem zmiennym jednofazowym i wyłącznie o napięciu podanym na tabliczce znamionowej. Możliwe jest również podłączenie do gniazdka bez uziemienia, ponieważ konstrukcja odpowiada II klasie bezpieczeństwa.

WARUNKI UŻYTKOWANIA

Dzięki dwóm pracującym równolegle tarczom diamentowym, bruzdownica umożliwia wycinanie kanałów na kable i rury (bruzdy) w każdym rodzaju muru.

Produkt można użytkować wyłącznie zgodnie z jego normalnym przeznaczeniem.

Urządzenia pracujące w wielu różnych miejscach, w tym poza pomieszczeniami zamkniętymi, należy podłączać poprzez ochronny (FI, RCD, PRCD) wyłącznik udarowy.

ŚWIADCTWO ZGODNOŚCI CE

Oświadczamy na naszą wyłączną odpowiedzialność, że produkt opisany w punkcie "Dane techniczne" jest zgodny ze wszystkimi istotnymi przepisami Dyrektywy 2011/65/EU (RoHS), 2014/30/UE, 2006/42/WE oraz z następującymi zharmonizowanymi dokumentami normatywnymi:

EN 60745-1:2009 + A11:2010
EN 60745-2-22:2011 + A11:2013
EN 55014-1:2017
EN 55014-2:2015
EN 61000-3-2:2014
EN 61000-3-3:2013
EN 50581:2012

Winnenden, 2018-02-26



Alexander Krug
Managing Director



Upoważniony do zestawienia danych technicznych

Technronic Industries GmbH
Max-Eyth-Straße 10
71364 Winnenden
Germany

ZALECENIA EKSPLOATACYJNE

W przypadku przecięcia silnika następuje automatyczne wyłączenie elektronarzędzia. Po wyłączeniu należy odczekać do ochłodzenia elektronarzędzia, a następnie nacisnąć przycisk przecięcia i ponownie uruchomić elektronarzędzie. W przypadku częstego wyłączania elektronarzędzia przez układ zabezpieczenia przecięciowego należy zmniejszyć nacisk przy cięciu lub jego głębokość.

Zależą bezstopniowego nastawiania szerokości cięcia jest to, że po prawidłowym ustawieniu szerokości rowka istnieje możliwość precyzyjnego montażu rur itp., bez konieczności zabezpieczenia ich przed wypadaniem poprzez mocowanie hakami, itp.

Tepe diamentowe ostrza tnące (można je rozpoznać po iskrah występujących przy cięciu) należy ostrzyć poprzez wykonanie kilku nacięć w piaskowcu wapiennym lub specjalnej oście do ostrzenia.

W czasie pracy tarcze tnące są bardzo gorące. Nie dotykać ich przed ostygnięciem.

UTRZYMANIE I KONSERWACJA

Otwory wentylacyjne elektronarzędzia muszą być zawsze drożne.

Należy stosować wyłącznie wyposażenie dodatkowe i części zamienne Milwaukee W przypadku konieczności wymiany części, dla których nie podano opisu, należy skontaktować się przedstawicielami serwisu Milwaukee (patrz lista punktów obsługi gwarancyjnej/serwisowej).

W razie potrzeby można zamówić rysunek urządzenia w rozłożeniu na części podając typ maszyny oraz sześciocyfrowy numer na tabliczce znamionowej w Punkcie Obsługi Klienta lub bezpośrednio w firmie Technronic Industries GmbH, Max-Eyth-Straße 10, 71364 Winnenden, Germany.

SYMBOLY



UWAGA! OSTRZEŻENIE
NIEBEZPIECZEŃSTWO!



Przed przystąpieniem do jakichkolwiek prac związanych z elektronarzędziem należy wyjąć wtyczkę z gniazdka.



Przed uruchomieniem elektronarzędzia zapoznać się uważnie z treścią instrukcji.



Podczas pracy należy zawsze nosić okulary ochronne.



Należy używać ochroniaczy uszu!



Jako ochrona do oddychania powinna być stosowana filtrująca półmaska klasy FFP2.



Nosić rękawice ochronne!



Wyposażenie dodatkowe dostępne osobno.



Urządzenia elektryczne nie mogą być usuwane razem z odpadami pochodzącymi z gospodarstw domowych. Urządzenia elektryczne i elektroniczne należy gromadzić oddzielnie i w celu usuwania ich do odpadów zgodnie z wymaganiami środowiska naturalnego oddawać do przedsiębiorstwa utylizacyjnego. Proszę zasięgnąć informacji o centrach recyklingowych i punktach zbiorczych w władz lokalnych lub w wyspecjalizowanego dostawcy.



Elektronarzędzie klasy ochrony II. Elektronarzędzie, w którym zabezpieczenie przed porażeniem prądowym zależy nie tylko od izolacji podstawowej, lecz również od tego, czy zostały zastosowane dodatkowe środki ochrony, takie jak: izolacja podwójna lub izolacja wzmocniona. Nie ma żadnego urządzenia do podłączenia przewodu ochronnego.



Znak CE



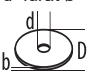
Regulatory Compliance Mark (RCM). Produkt spełnia obowiązujące przepisy.



Krajowy znak zgodności Ukraina



Znak zgodności EurAsian

Műszaki adatok	WCS 45
Falhoronymaró	
Gyártási szám	4632 81 03... 3930 04 04... ...000001-999999
Névleges teljesítményfelvétel	1900 W
Névleges fordulatszám	6200 min ⁻¹
D=gyémánt vágókorong ø max. d=furat ø	150 mm 22,2 mm
 b=A vágókorong átmérője min. / max.	2,4 / 2,6 mm
Vágásmélység	0-45 mm
Vágás szélesség	17-45 mm
Súly a 01/2014 EPTA-eljárás szerint	6,6 kg
Zaj-/Vibráció-információ A közölt értékek megfelelnek az EN 60 745 szabványnak. A készülék munkahelyi zajszintje tipikusan: Hangnyomás szint (K bizonytalanság=3dB(A)) Hangteljesítmény szint (K bizonytalanság=3dB(A))	99 dB(A) 110 dB(A)
Hallásvédő eszköz használata ajánlott! Összesített rezgésértékek (három irány vektoriális összegaz EN 60745-nek megfelelően meghatározva. ah rezgésemisszió érték	6,5 m/s ² 1,5 m/s ²
K bizonytalanság	

FIGYELMEZTETÉS

A jelen utasításokban megadott rezgésszint értéke az EN 60745-ben szabályozott mérési eljárásnak megfelelően került lemérésre, és használható elektromos szerszámokkal történő összehasonlításhoz. Az érték alkalmas a rezgésterhelés előzetes megbecsülésére is.

A megadott rezgésszint-érték az elektromos szerszám legfőbb alkalmazásait reprezentálja. Ha az elektromos szerszámot azonban más alkalmazásokhoz, eltérő használt szerszámokkal vagy nem elegendő karbantartással használják, a rezgésszint értéke eltérő lehet. Ez jelentősen megnövelheti a rezgésterhelést a munkavégzés teljes időtartama alatt.

A rezgésterhelés pontos megbecsüléséhez azokat az időket is figyelembe kell venni, melyekben a készülék lekapcsolódik, vagy ugyan működik, azonban ténylegesen nincs használatban. Ez jelentősen csökkentheti a rezgésterhelést a munkavégzés teljes időtartama alatt.

Határozzon meg további biztonsági intézkedéseket a kezelő védelmére a rezgések hatása ellen, például: az elektromos és a használt szerszámok karbantartásával, a kezek melegen tartásával, a munkafolyamatok megszervezésével.

▲ FIGYELMEZTETÉS! Olvasson el minden biztonsági útmutatást és utasítást. A következőkben leírt előírások betartásának elmulasztása áramütésekhez, tűzhöz és/vagy súlyos testi sérülésekhez vezethet. **Kérjük a későbbi használatra gondosan őrizze meg ezeket az előírásokat.**

▲ BIZTONSÁGI ÚTUTATÁSOK SAROKCSISZOLÓKHOZ

a) Az elektromos szerszámhoz tartozó védőburkolatot biztonságosan fel kell szerelni és úgy kell beállítani, hogy maximális biztonság legyen elérhető, azaz a csiszolótestet lehető legkisebb része mutasson burkolatlanul a kezelőszemély felé. Ön és a közelben lévő személyek is tartózkodjanak a forgó csiszolókorong síkján kívül. A védőburkolatnak meg kell védenie a kezelőszemélyt a letört daraboktól vagy a csiszolótesttel történő véletlen érintkezéstől.

b) Kizárólag valamilyen anyagkötésű erősített vagy gyémánt vágókorongokat használjon elektromos szerszámához. Az, hogy a tartozékot rögzíteni tudja elektromos szerszámán, még nem garantálja a biztonságos alkalmazását.

c) A betétszerszám megengedett fordulatszámának legalább annyianak kell lennie, mint az elektromos szerszámon megadott legnagyobb fordulatszám. Az olyan tartozék, ami a megengedett fordulatszámánál gyorsabban forog, eltörhet vagy lerepedhet.

d) A csiszolótesteket csak az azok számára javasolt célokra szabad használni. Például: Soha ne csiszoljon egy vágókorong oldalsó felületével. A vágókorongok

csiszolókorongot. **Ha Ön ellenőrizte és felszerelte a csiszolókorongot, a közelben lévő személyekkel együtt a forgó csiszolókorong síkján kívül tartózkodjon, és járassa a készüléket egy percig maximális fordulatszámán.** A sérült csiszolókorongok legtöbbször széttörnek ezen tesztidő alatt.

j) Viseljen személyi védőfelszerelést. Használjon az alkalmazásnak megfelelő teljes védőálarcot, szemvédőt vagy védőszemüveget. Amennyiben célszerű, viseljen porvédő álarcot, zajtompító fülvédőt, védő kesztyűt vagy különleges kötényt, amely távol tartja a csiszolószerszám- és anyagrészcskéket. Mindenképpen védje meg a szemét a kirepülő idegen anyagoktól, amelyek a különböző alkalmazások során keletkeznek. A por- vagy védőálarcnak meg kell szűrnie a használat során keletkező port. Ha hosszú ideig ki van téve az erős zaj hatásának, elvesztheti a hallását.

k) Ügyeljen arra, hogy más személyek biztos távolságra legyenek a munkaterülettől. Minden személynek védőfelszerelést kell viselnie, aki belép a munkaterületre. A munkadarabról lepattanó szilánkok vagy a letört szerszámrészek szétrepülhetnek, és a közvetlen munkaterületen kívül is sérüléseket okozhatnak.

l) A készüléket a szigetelt markolatfelületeket fogva tartsa, ha olyan munkálatokat végez, melyeknél a vágószerszám rejtett elektromos vezetékbe vagy saját vezetékébe ütközhet. A vágószerszám feszültségvezető vezetékkel való érintkezésekor a készülék fém részei is feszültség alá kerülhetnek, és elektromos áramütés következhet be.

m)Tartsa távol a hálózati csatlakozó kábelt a forgó betétszámoktól. Ha elveszíti az uralmát az elektromos kéziszerszám felett, az átvághatja, vagy bekaphatja a hálózati csatlakozó kábelt és az Ön keze vagy karja is a forgó betétszerszámhoz érhet.

n) Ne tegye le soha addig az elektromos szerszámot, amíg a mozgó betétszerszám nem állt le teljesen. A forgó betétszerszám hozzáérhet a felfekvő felülethez, és ezáltal kontrollálhatatlanná válhat az elektromos szerszám.

o) Ne járassa az elektromos kéziszerszámot, miközben azt a kezében tartja. A forgó betétszerszám egy véletlen érintkezés során bekaphatja a ruháját és a betétszerszám belefűródhat a testébe.

p) Tisztítsa meg rendszeresen az elektromos kéziszerszáma szellőzőnyílásait. A motor ventilátorra beszívja a port a házba, és nagyobb mennyiségű fémport felhalmozódása elektromos veszélyekhez vezethet.

q) Ne használja az elektromos szerszámot gyúlékony anyagok közelében. A szikráktól meggyulladhatnak ezek az anyagok.

r) Ne használjon olyan betétszerszámokat, melyekhez folyékony hűtőközeg szükséges. A víz vagy más folyékony hűtőközeg használata áramütést okozhat.

További biztonsági útmutatások vágókorongos alkalmazásokhoz

Visszarugás és megfelelő biztonsági útmutatások

A visszarugás a forgó csiszolókorong megszorulására vagy leblokkolására érkező hirtelen reakció. A megszorulás vagy leblokkolás a forgó betétszerszám hirtelen leállítását okozza. Ezáltal a kontroll alól kikerült elektromos szerszám a betétszerszám forgásirányával szemben gyorsul a megakadás helyén.

Ha például egy csiszolókorong megszorul vagy leblokkol a megmunkálásra kerülő munkadarabban, a csiszolókorongnak a munkadarabra bemező éle leáll és így a csiszolókorong kiugorhat vagy visszarugást okozhat. A csiszolókorong ekkor a korongnak a leblokkolási pontban fennálló forgásirányától függően a kezelő személy felé, vagy attól távolodva mozog. A csiszolókorongok ilyenkor el is törhetnek.

A visszarugás az elektromos kéziszerszám hibás vagy helytelen használatának következménye. Ezt az alábbiakban leírásra kerülő megfelelő óvatossági intézkedésekkel meg lehet gátolni.

a) Tartsa szorosan fogva az elektromos kéziszerszámot, és hozza a testét és a karjait olyan helyzetbe, amelyben fel tudja venni a visszarugási erőket. Használja mindig a pótfogantyút, amennyiben létezik, hogy a lehető legjobban tudjon uralkodni a visszarugási erők, illetve felütéskor a reakciós nyomaték felett. A kezelő személy megfelelő óvatossági intézkedésekkel uralkodni tud a visszarugási és reakcióerők felett.

b) Soha ne vigye a kezét a forgó betétszerszám közelébe. A betétszerszám visszarugás esetén a kezéhez érhet.

c) Kerülje el a forgó vágótárcsa előtti és mögötti területet. A visszarugás a megakadás helyén a csiszolókorong mozgásával ellentétes irányba mozdítja az elektromos szerszámot.

d) A sarkok és élek közelében különösen óvatosan dolgozzon, akadályozza meg, hogy a betétszerszám lepattanjon a munkadarabról, vagy megszoruljon a munkadarabban. A forgó betétszerszám a sarkoknál, éleknél és lepattanás esetén könnyen megszorul. Ez a készülék feletti uralom elvesztéséhez, vagy visszarugáshoz vezet.

e) Ne használjon láncos vagy fogazott fűrészlapot, valamint 10 mm-nél szélesebb résekkel rendelkező szegmentált gyémánt vágókorongot. Az ilyen betétszerszámok gyakran visszarugást okoznak, vagy az elektromos szerszám feletti ellenőrzés elvesztéséhez vezetnek.

f) Kerülje el a vágókorong leblokkolását, és ne gyakoroljon túl erős nyomást a készülékre. Ne végezzen túl mély vágást. A túlterhelés megnöveli a vágókorong igénybevételeit és megszorulási vagy leblokkolási hajlamát és visszarugáshoz vagy a csiszolótest töréséhez vezethet.

g) Ha a vágókorong megszorul, vagy ha Ön megszakítja a munkát, kapcsolja ki az elektromos kéziszerszámot és tartsa azt nyugodtan, amíg a korong teljesen leáll. Soha ne próbálja meg kihúzni a még forgó vágókorongot a vágásból, mert ez visszarugáshoz vezethet. Határozza meg és hárítsa el a megszorulás okát.

h) Addig ne kapcsolja ismét be az elektromos kéziszerszámot, amíg az még benne van a munkadarabban. Várja meg, amíg a vágókorong eléri a teljes fordulatszámát, mielőtt óvatosan folytatná a vágást. A korong ellenkező esetben megszorulhat, kiugorhat a munkadarabba, vagy visszarugáshoz vezethet.

i) Támassza fel a lemezeket vagy nagyobb munkadarabokat, hogy csökkentse a megszoruló vágókorong következtében fellépő visszarugás kockázatát. A nagyobb munkadarabok saját súlyuk alatt meghajolhatnak. A munkadarabot mindkét oldalán, és mind a vágási vonal közelében, mind a szélénél alá kell támasztani.

j) Ha egy meglévő falban, vagy más be nem látható területen hoz létre "zseb alakú vágást", járjon el különös óvatossággal. Az anyagba behatóly vágókorong gáz- vagy vízvezetékbe, elektromos vezetékbe vagy más tárgyakra ütközhet, amelyek visszarugást okozhatnak.

MUNKARENDSZER, FALHORONYMARÓ PORSZÍVÓ

A falhoronymarót csak M porosztályú porszívóval alkalmazza. Más kombinációk a porok rosszabb felfogását és leválasztását okozhatják.

Figyelembe kell venni a porszívó és a szűrő üzemeltetésére, karbantartására és tisztítására vonatkozó útmutatásokat. Ha a porgyűjtő tartályok megtelnek, azonnal ki kell üríteni.

Csak az előírt szívótömlőt szabad használni. Ne végezzen módosítást a szívótömlőn. Ha kódarabok kerülnek a

szívótömlőbe, akkor szakítsa meg a munkát, és azonnal tisztítsa ki a szívótömlőt. Kerülni kell a szívótömlő megtörését.

Rendszeresen tisztítsa le és cserélje a szűrőket; ne távolítsa el a szűrőket / szűrőelemeket.

A falhoronymarót és a vágókorongokat az aljzatnak megfelelően kell megválasztani. A gyártók anyagtól függően különböző vágókorongokat kínálnak.

Csak gyémánt vágókorongokat használjon. A szegmentált gyémánt vágókorongok csak negatív vágási szögűek lehetnek, és az egyes szegmensek között maximum 10 mm-es hézagokkal rendelkezhetnek.

A vágókorongokat időben kell cserélni, ill. élezni. A vágási teljesítmény csökkenése esetén ellenőrizni kell, hogy kopottak-e a vágókorongok, ill. meg kell élezni azokat.

A korong vágandó anyagba történő bemerítését és alkalmazását a kezelési útmutató szerint kell végezni.

MUNKAHELY

Biztosítani kell az építkezéseken a munkahelyekkel szemben támasztott általános követelmények (megfelelő világítás, zuhanásveszélyes helyek kerülése stb.) betartását. Figyelembe kell venni a biztonsági útmutatásokat.

Gondoskodjon jó szellőzésről.

Garantálja, hogy a munkaterület szabad legyen. Hosszabb hornyok esetén a porszívót szabadon kell tudni a készülék után vezetni, ill. ennek időben kell történnie.

MUNKASZERVEZÉS

Használjon hallás-, szem- és légzésvédőt, valamint adott esetben kesztyűt. Légzésvédőként legalább FFP2 osztályú részecskeszűrő felmaszkot kell használni.

A munkahely tisztítására használja a porszívót. A lerakódott port ne keverje fel seprével.

SZÁLLÍTÁS, KEZELÉS, TÁROLÁS

A gyémánt vágókorongokat gondosan kell kezelni és szállítani. Lehetőség szerint használja az eredeti, vagy más megfelelő csomagolást.

A korongokat száraz helyen úgy kell tárolni, hogy ne legyenek kitéve mechanikus sérülésnek.

Védje a vágókorongokat ütéstől, lökéstől és káros környezeti hatásoktól.

HÁLÓZATI CSATLAKOZTATÁS

☐ A készüléket csak egyfázisú váltóáramra és a teljesítménytáblán megadott hálózati feszültségre csatlakoztassa. A csatlakoztatás védőérintkező nélküli dugaszolóaljzatokra is lehetséges, mivel a készülék felépítése II védettségi osztályú.

RENDELTELTÉSSZERŰ HASZNÁLAT

A falhoronymaró géppel hornyokat vághat kábelek és csövek számára minden típusú téglában, két párhuzamosan mozgó gyémánt vágótárcsával.

A készüléket kizárólag az alábbiakban leírtaknak megfelelően szabad használni.

Szabadban a dugaljat hibaáram-védőkapcsolóval kell ellátni. Az elektromos készülékek üzembehelyezési útmutatása ezt kötelezően előírja (FI, RCD, PRCD). Ügyeljen erre az elektromos kéziszerszámok használatakor is.

CE-AZONOSSÁGI NYILATKOZAT

Egyedüli felelősséggel kijelentjük, hogy a "Műszaki Adatok" alatt leírt termék a 2011/65/EU (RoHS), 2014/30/EU, 2006/42/EK irányelvek minden releváns előírásának, ill. az alábbi harmonizált normatív dokumentumoknak megfelel:

EN 60745-1:2009 + A11:2010
EN 60745-2-22:2011 + A11:2013
EN 55014-1:2017
EN 55014-2:2015
EN 61000-3-2:2014
EN 61000-3-3:2013
EN 50581:2012

Winnenden, 2018-02-26

Alexander Krug
Managing Director



Műszaki dokumentáció összeállításra felhatalmazva

Technic Industries GmbH
Max-Eyth-Straße 10
71364 Winnenden
Germany

ÚTMUTATÁSOK A MUNKAVÉGZÉSHEZ

Ha a motort túlterheli a gép automatikusan kikapcsol. Hagya lehűlni, nyomja meg a túlterhelés (overload) gombot és indítsa újra a gépet. Ha a túlterhelés védelem gyakran kikapcsolja a gépet, akkor csökkentse a nyomást, vagy a vágásmélységet.

A fokozatmentesen állítható vágásszélesség állítás előnye az, hogy ha a horonyszélességet pontosan állítja be, akkor a csövek stb. precízen illeszkednek a horonyba. Így nincs szükség a csövek szögekkel stb. történő biztosítására a kiesés ellen.

Élesítse az életlen gyémánt vágótárcsát (a nagy szikraképződésről könnyen észrevehető) úgy, hogy néhány vágást csinál homokkőbe, vagy speciális élesítő kőbe.

A vágótárcsák nagyon felmelegednek vágás közben. Ne érintse meg azokat mielőtt lehűlnek.

KARBANTARTÁS

A készülék szellőzőnyílásait mindig tisztán kell tartani.

Javításhoz, karbantartáshoz kizárólag Milwaukee alkatrészeket és tartozékokat szabad használni. A készülék azon részeinek cseréjét, amit a kezelési útmutató nem engedélyez, kizárólag a javításra feljogosított márkaszerviz végezheti. (Lásd a szervizlistát)

Igény esetén a készülékről robbantott rajz kérhető a géptípus és a teljesítménycímként található hatjelgyű szám megadásával az Ön vevőszolgálatánál, vagy közvetlenül a Technic Industries GmbH-től a Max-Eyth-Straße 10, 71364 Winnenden, Németország címen.

SZIMBÓLUMOK



FIGYELEM! FIGYELMEZTETÉS! VESZÉLY!



Bármilyen jellegű karbantartás vagy javítás előtt a készüléket áramtalanítani kell.



Kérjük alaposan olvassa el a tájékoztatót mielőtt a gépet használja.



Munkavégzés közben ajánlatos védőszemüveget viselni.



Hallásvédő eszköz használata ajánlott!



A légzőszervek védelme érdekében legalább egy FFP2 osztályú részecskeszűrő felmaszkot kell viselni.



Hordjon védőkesztyűt!



Azokat a tartozékokat, amelyek gyárilag nincsenek a készülékhez mellékelve, külön lehet megrendelni.



Az elektromos eszközöket nem szabad a háztartási hulladékkal együtt ártalmatlanítani. Az elektromos és elektronikus eszközöket szelektíven kell gyűjteni, és azokat környezetbarát ártalmatlanítás céljából hulladékhasznosító üzemben kell leadni. A helyi hatóságoknál vagy szakkereskedőjénél tájékozódjon a hulladékudvarokról és gyűjtőhelyekről.



II. védelmi osztályú elektromos szerszám. Olyan elektromos szerszám, amelynél az elektromos áramütés elleni védelem nem csak az alapszigeteléstől függ, hanem amelyben kiegészítő védőintézkedések, mint pl. kettős szigetelés vagy megerősített szigetelés, alkalmaznak. Nincs lehetőség védőérintkező csatlakoztatására.



CE-jelölés



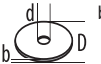
Regulatory Compliance Mark (RCM). A termék teljesíti az érvényben lévő előírásokat.



Ukrán nemzeti megfelelőségi jelölés



Eurázsiai megfelelőségi jelzés.

Tehnični podatki	WCS 45
Rezalniki za utore v zidu	
Proizvodna številka	4632 81 03... 3930 04 04... ...000001-999999
Nazivna sprejemna moč	1900 W
Nazivno število vrtljajev	6200 min ⁻¹
D=Dijamantna rezalna plošča-ø maks. d=vrtnje - ø	150 mm 22,2 mm
 b=Debelina rezalne plošče min. / maks.	2,4 / 2,6 mm
Globina reza	0-45 mm
Širina reza	17-45 mm
Teža po EPTA-proceduri 01/2014	6,6 kg
Informacije o hrupnosti/vibracijah Vrednosti merjenja ugotovljene ustrezno z EN 60 745. Raven hrupnosti naprave ovrednotena z A, znaša tipično: Nivo zvočnega tlaka (Nevarnost K=3dB(A)) Višina zvočnega tlaka (Nevarnost K=3dB(A))	99 dB(A) 110 dB(A)
Nosite zaščito za sluh! Skupna vibracijska vrednost (Vektorska vsota treh smerdoločena ustrezno EN 60745. Vibracijska vrednost emisij a _h Nevarnost K=	6,5 m/s ² 1,5 m/s ²

OPOZORILO

V teh navodilih navedena raven tresljajev je bila izmerjena po EN60745 normiranem merilnem postopku in lahko služi medsebojni primerjavi električnih orodij. Prav tako je primeren za predhodno oceno obremenitve s tresljaji.

Navedena raven tresljajev navaja najpomembnejše vrste rabe električnega orodja. Kadar se električno orodje uporablja za drugačne namene, z odstopajočimi orodji ali pa z nezadostnim vzdrževanjem, lahko raven tresljajev tudi odstopa. Le to lahko čez celoten delovni čas znatno zviša obremenitev s tresenjem.

Za natančno oceno obremenitve s tresljaji naj bi se upošteval tudi čas v katerem je naprava izklopljena ali sicer teče, vendar dejansko ni v rabi. Le to lahko obremenitev s tresljaji čez celoten delovni čas znatno zmanjša.

Za zaščito upravljalca pred učinkom tresljajev uvedite dodatne zaščitne ukrepe npr.: Vzdrževanje električnega orodja in orodja, delo s toplimi rokami, organizacija delovnih potekov.

⚠ OPOZORILO! Preberite vsa varnostna opozorila in navodila. Napake zaradi neupoštevanja spodaj navedenih opozoril in napotil lahko povzročijo električni udar, požar in/ali težke telesne poškodbe.
Vsa opozorila in napotila shranite, ker jih boste v prihodnje še potrebovali.

⚠ VARNOSTNA OPOZORILO ZA REZALNO BRUSILNE STROJE

a) Električnemu orodju pripadajoča zaščitna avba mora biti varno nameščena in tako nastavljena, da bo dosežena najvišja mera varnosti, to pomeni, da najmanjši možen del brusilnega telesa prosto kaže proti upravljalcu. Zadržujte se, kakor tudi v bližini nahajajoče osebe, izven ravnih rotirajoče brusilne plošče. Zaščitna avba naj bi upravljalca ščitila pred odlomljenimi kosi in naključnemu stiku z brusilnim telesom.

b) Za vaše električno orodje uporabljajte izključno vezane ojačane ali diamantne rezalne plošče. To, da pribor na električno orodje lahko pritrđite, še ne jamči varne uporabe.

c) Dovoljeno število vrtljajev uporabljenega orodja mora biti vsaj tako visoko, kot je največje število vrtljajev električnega orodja. Pribor, ki se vrti hitreje od dovoljenega števila vrtljajev, se lahko polomi in razleti.

d) Brusila lahko uporabljate samo za vrste uporabe, ki jih priporoča proizvajalec. Na primer: Nikoli ne brusite s stransko ploskvijo rezalne plošče. Rezalne plošče so namenjene odstranjevanju materiala z robom plošče. Brusilo se lahko zaradi bočnega delovanja sile zlomi.

e) Uporabljajte zmeraj nepoškodovane vpenjalne prirobnice v pravi velikosti za izbrano rezalno ploščo. Primerne prirobnice podpirajo rezalno ploščo in zmanjšajo nevarnost loma rezalne plošče.

f) Ne uporabljajte obrabljenih brusilnih kolutov večjih električnih orodij. Brusilni koluti za večja električna orodja niso konstruirana za višje število vrtljajev, s katerimi delujejo manjša električna orodja in se lahko zato zlomijo.

g) Zunanji premer in debelina delovnega orodja morajo odgovarjati navedbenim meram Vaše električne naprave. Nepravilno izmerjeno uporabno orodje se ne more zadostno zasloniti oziroma kontrolirati

h) Brusilne plošče in prirobnica morajo točno nalegati na brusilno vreteno vašega električnega orodja. Orodja, ki točne ne nalegajo na brusilno vreteno električnega orodja, se vrtijo neenakomerno, močno vibrirajo in lahko privedejo do izgube nadzora.

i) Ne uporabljajte poškodovanih brusilnih plošč. Pred vsako uporabo kontrolirajte brusilne plošče glede na odkrušenost in razpoke. Kadar električno orodje ali brusilna plošča padeta na tla, preverite ali je poškodovana, ali uporabite nepoškodovano brusilno ploščo. V kolikor ste brusilno ploščo prekontrolirali in vstavili, se vi in v bližini nahajajoče osebe zadržujte izven ravnih rotirajoče brusilne plošče in pustite napravo eno minuto teči pri najvišjem številu vrtljajev. Poškodovane brusilne plošče najpogosteje v tem testnem času počijo.

j) Uporabljajte osebno zaščitno opremo. Odvisno od vrste uporabe si natakните zaščitno masko čez cel obraz, zaščito za oči ali zaščitna očala. Če je potrebno, nosite zaščitno masko proti prahu, zaščitne slušnike,

zaščitne rokavice ali specialni predpasnik, ki Vas bo zavaroval pred manjšimi delci materiala, ki nastajajo pri brušenju. Oči je treba zavarovati pred tujki, ki nastajajo pri različnih vrstah uporabe naprave in letijo naokrog. Zaščitna maska proti prahu ali dihalna maska morata filtrirati prah, ki nastaja pri uporabi. Predolgo izpostavljanje glasnemu hrupu ima lahko za posledico izgubo sluha.

k) Pazite pri drugih osebah na varnostno razdaljo do Vašega delovnega področja. Vsakdo ki pristopi delovnem področju mora nositi osebno zaščitno opremo. Drobcí obdelovanca ali zlomljeno delovno orodje lahko odletijo in povzročijo poškodbe ven direktnega delovnega področja.

l) Kadar izvajate dela pri katerih lahko orodje zadane prikrito električno napeljavno ali lasten vodnik, je napravo potrebno držati za izolirane prijemalne površine. Stik rezalnega orodja z napetostnim vodnikom napeljave lahko privede do kovinske dele naprave pod napetost in vodi do električnega udara.

m) Omrežnega kablja ne približujte vrtečemu se vsadnemu orodju. Če izgubite nadzor nad električnim orodjem, lahko orodje prereže ali zagrabi kabel, Vaša roka pa zaide v vrteče se vsadno orodje.

n) Ne odlagajte električno napravo vse dokler se električna naprava ni popolnoma umirila. Vrtečo delovno orodje lahko pride v kontakt z odlagalno površino s čimer lahko izgubite kontrolo nad električno napravo.

o) Električno orodje naj medtem, ko ga prenašate naokrog, ne deluje. Vrteče se vsadno orodje lahko zaradi naključnega kontakta zagrabi Vaše oblačilo in se zavrtja v Vaše telo.

p) Prezračevalne reže vašega električnega orodja morate redno čistiti. Ventilator motorja povleče v ohlajše prah in velika količina nabranega prahu je lahko vzrok za električno nevarnost.

q) Ne uporabljajte električno napravo v bližini vnetljivih materialov. Iskre lahko vnamejo te materiale.

r) Ne uporabljajte delovno orodje katero zahteva tekoča sredstva hlajenja. Uporaba vode ali ostalih tekočih sredstev hlajenja lahko vodijo do električnega udara.

Nadaljna varnostna opozorila za rezalno brusilno uporabo

Povratni udarec in odgovarjajoča varnostna navodila
Povratni udar je nenadna reakcija kot posledica zataknjene ali zablokirane vrteče se brusilne plošče. Zatik ali blokiranje vodi do nenadne zaustavitve rotirajočega orodja. Vsled tega se na mestu blokade nenadzorovano električno orodje pospeši v nasprotni smeri vrtenja orodja.

Če se na primer brusilni kolut zatakne ali zablokira v obdelovancu, se lahko rob brusilnega koluta, ki je potopljen v obdelovanec, zaplete vanj in brusilni kolut se odloni ali povzroči povratni udarec. Brusilni kolut se nato premakne proti uporabniku ali proč od njega, odvisno od smeri vrtenja brusilnega koluta na mestu blokiranja. Blokiranje koluti se lahko pri tem tudi zlomijo.

Povratni udarec je posledica napačne ali pomanjkljive uporabe električnega orodja. Preprečite ga lahko z ustreznimi previdnostnimi ukrepi. Navedeni so v nadaljevanju besedila.

a) Dobro držite električno orodje in premaknite telo in roke v položaj, v katerem boste lahko prestregli moč povratnega udara. Če je na voljo dodatni ročaj, ga obvezno uporabljajte in tako zagotovite najboljše možno nadziranje moči povratnih udarcev ali reakcijskih momentov pri zagonu naprave. Z ustreznimi previdnostnimi ukrepi lahko uporabnik obvlada moč povratnih udarcev in reakcijskih momentov.

b) Nikoli z roko ne segajte v bližino vrtečih se vsadnih orodij. V primeru povratnega udara se lahko orodje premakne čez Vašo roko.

c) Izogibajte se območju pred in za rotirajočo rezalno ploščo. Povratni udar žene električno orodje na mestu blokade v nasprotni smeri premika rezalne plošče.

d) Posebno previdno delajte v kotih, na ostrih robovih in podobnih površinah. Preprečite, da bi vsadna orodja odskočila od obdelovanca in se zagodžila. Vrteče se vsadno orodje se v kotih, na ostrih robovih ali če odskoči, zlahka zagodži. To povzroči izgubo nadzora ali povratni udarec.

e) Ne uporabljajte nobenega verižnega ali ozobljenega žaginega lista kot tudi nobene segmentirane diamantne plošče z več kot 10 mm širokimi zarezami. Tovrstna orodja pogosto povzročajo povratni udar ali izgubo nadzora nad električnim orodjem.

f) Izogibajte se blokiranju rezalne plošče ali premočnemu pritiskanju na obdelovanec. Ne delajte pretirano globokih rezov. Preobremenjenost rezalne plošče se poveča, prav tako dovzetnost za zatikanje ali blokiranje in s tem možnost povratnega udara ali zloma brusila.

g) Če se rezalna plošča zagodži ali če prekinete z delom, električno orodje izklopite in ga držite pri miru, dokler se kolut popolnoma ne ustavi. Nikoli ne poskušajte rezalne plošče, ki se še vrti, potegniti iz reza, ker lahko pride do povratnega udara. Ugotovite in odstranite vzrok zagodžitve.

h) Dokler se električno orodje nahaja v obdelovancu, ga ne smete ponovno vklopiti. Počakajte, da bo rezalna plošča dosegla polno število vrtljajev in šele potem previdno nadaljujte z rezanjem. V nasprotnem primeru se lahko plošča zatakne, skoči iz obdelovanca ali povzroči povratni udarec.

i) Plošče ali velike obdelovance ustrezno podprite in tako zmanjšate tveganje povratnega udara zaradi zataknjene rezalne plošče. Veliki obdelovanci se lahko zaradi lastne teže upognejo. Obdelovanec mora biti podprt z obeh strani, pa tudi v bližini reza in na robu.

j) Še posebno previdni bodite pri "rezanju žepov" v obstoječe stene ali v druga področja, v katera nimate vpogleda. Pogrežajoča se rezalna plošča lahko pri zarezovanju v plinske ali vodovodne cevi ter električne vodnike in druge predmete povzroči povratni udarec.

DELOVNI SISTEM ZIDNI REZKALNIK ZA UTORE - ODPRAŠEVALEC

Zidne rezkalnike utorov uporabljajte zgolj z odpraševalci razreda prašnih delcev M. Ostale kombinacije lahko privedejo do slabšega zajema in ločevanja prašnih delcev.

Upoštevajte navodila za obratovanje, vzdrževanje in čiščenje odpraševalca vključno s filtri. Takoj, ko je posoda za zbiranje prahu polna, jo izpraznite.

Uporabljajte zgolj predvideno sesalno cev. Sesalne cevi ne manipulirajte. V kolikor zaidejo v sesalno cev odkruški kamnin, del prekinemo in sesalno cev takoj očistimo. Prepogibanju sesalne cevi se izogibajte.

Filter redno čistiti in nadomeščati; ne odstranjujte filtra/komponent filtra.

Zidni rezkalnik za utore in rezalno ploščo izberite ustrezno podlagi. Proizvajalci glede na podlago nudijo različne rezalne plošče.

Uporabljajte zgolj diamantne rezalne plošče. Segmentirane diamantne plošče lahko imajo zgolj negativne rezalne kote in maksimalno 10 mm zarezne me segmenti.

Rezalne plošče pravočasno nadomestite oz. nabrusite. Pri zmanjšanju rezalne zmogljivosti prekontrolirajte obrabo rezalnih plošč in ali jih je potrebno zamenjati oz. naostriti.

Postopek vgrezanja in potek dela izvajajte kot je opisano v navodilih za obratovanje.

DELOVNO MESTO

Zagotoviti je potrebno upoštevanje splošnih zahtev za delovna mesta na gradbiščih (zadostna osvetlitev, izogibanje mest pada itn.). Upoštevajte varnostna opozorila.

Poskrbite za dobro prezračevanje.

Zagotovite proto delovno območje. Pri daljših utorih mora biti sledenje odpraševalca prosto vodljivo oz. mora vodenje pravočasno slediti.

ORGANIZACIJA DELA

Zaščita sluha, zaščita vida, zaščita dihal in po potrebi uporaba rokavic. Kot zaščito dihal uporabljajte vsaj delce filtrirajočo polovično masko razreda FFP22.

Odpraševalec uporabite za čiščenje delovnega mesta. S pometanjem ne razkadiate nanosov prahu.

TRANSPORT, ROKOVANJE, SKLADIŠČENJE

Z diamantnimi rezalnimi ploščami je potrebno skrbno rokovati in jih transportirati. Po možnosti uporabljajte originalno embalažo ali drugo primerno embalažo.

Plošče je potrebno v suhem okolju skladiščiti tako, da ne bodo izpostavljene nobenim mehanskim poškodbam.

Rezalne plošče zaščitite pred udarci, sunki in škodljivimi vplivi okolja.

OMREŽNI PRIKLJUČEK

Priključite samo na enofazni izmenični tok in samo na omrežno napetost, ki je označena na tipski ploščici. Priključitev je možna tudi na vtičnice brez zaščitnega kontakta, ker obstaja nadgradnja zaščitnega razreda.

UPORABA V SKLADU Z NAMEMBNOSTJO

Rezalnik zidnih zarez reze s pomočjo dveh paralelnih tekočih diamantnih rezalnih plošč zarez za napeljave in kable (zidne zarez) v vse vrste zidov.

Ta naprava se sme uporabiti samo v skladu z namembnostjo uporabiti samo za navede namene.

Vtičnice v zunanem področju morajo biti opremljene z zaščitnimi stikali za okvarni tok (FI, RCD, PRCD). To zahteva instalacijski predpis za vašo električno napravo. Prosimo, da to pri uporabi naše naprave upoštevate.

CE-IZJAVA O KONFORMNOSTI

V lastni odgovornosti izjavljamo, da se pod "Tehnični podatki" opisan proizvod ujema z vsemi relevantnimi predpisi smernice 2011/65/EU (RoHS), 2014/30/EU, 2006/42/ES in s sledečimi harmoniziranimi normativnimi dokumenti:

EN 60745-1:2009 + A11:2010
EN 60745-2-22:2011 + A11:2013
EN 55014-1:2017
EN 55014-2:2015
EN 61000-3-2:2014
EN 61000-3-3:2013
EN 50581:2012

Winnenden, 2018-02-26

Alexander Krug
Managing Director



Pooblaščen za izdelavo spisov tehnične dokumentacije.

Techtronic Industries GmbH
Max-Eyth-Straße 10
71364 Winnenden
Germany

NAPOTKI ZA DELO

Elektronika naknadno uravnava število vrtljajev pri naraščajoči obremenitvi.

Pri dlje trajajoči preobremenitvi elektronika preklopi na zmanjšano število vrtljajev. Stroj teče počasi dalje zaradi hlajenja navojev motorja. Po izklopu in ponovnem klop stroja lahko delate s strojem dalje na področju nazivne obremenitve.

Pod vplivom ekstremnih elektromagnetnih motenj od zunaj lahko v posameznem primeru pride do začasnih nihanj števila vrtljajev.

Tope diamantne rezalne plošče (spoznate jih z močnim letenjem isker med delom) lahko naknadno naostrite s pomočjo več rezov v apnenem peščencu ali s specialnim ostrilnim kamnom.

Rezalne plošče se pri delu močno segrejejo; ne dotikajte se jih, preden se ohladijo.

VZDRŽEVANJE

Pazite na to, da so prezračevalne reže stroja vedno čiste.

Uporabljajte samo Milwaukee pribor in nadomestne dele. Poskrbite, da sestavne dele, katerih zamenjava ni opisana, zamenjajo v Milwaukee servisni službi (upoštevajte brošuro Garancija/Naslovi servisnih služb).

Po potrebi je mogoče pri vašem servisnem mestu ali neposredno pri Techtronic Industries GmbH, Max-Eyth-Straße 10, 71364 Winnenden, Germany, naročiti eksplozijsko risbo naprave ob navedbi tipa stroja in na tablici navedene šestmestne številke.

SIMBOLI



POZOR! OPOZORILO! NEVARNO!



Pred vsemi deli na stroju izvlcite vtičač iz vtičnice.



Prosimo, da pred uporabo pozorno preberete to navodilo za uporabo.



Pri delu s strojem vedno nosite zaščitna očala.



Nosite zaščito za sluh!



Za zaščito dihal uporabite vsaj polovično masko za filtriranje delcev razreda FFP2.



Nositi zaščitne rokavice



Oprema – ni vsebovana v obsegu dobave, priporočeno dopolnilo iz programa opreme.



Električnih naprav ni dovoljeno odstranjevati skupaj z gospodinjstskimi odpadki. Električne in elektronske naprave je potrebno zbirati ločeno in za okolju prijazno odstranitev, oddati podjetju za reciklažo. Pri krajevnem uradu ali vašem strokovnem prodajalcu se pozanimajte glede reciklažnih dvorišč in zbirnih mest.



Električno orodje zaščitnega razreda II. Električno orodje, pri katerem zaščita pred električnim udarom ni odvisna zgolj od osnovne izolacije, temveč tudi od tega, da so uporabljeni dodatni ukrepi, kot dvojna ali okrepljena izolacija. Ni priprave za priključek zaščitnega vodnika.



CE-znak



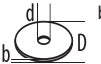
Regulatory Compliance Mark (RCM). Proizvod izpolnjuje veljavne predpise.



Nacionalna oznaka skladnosti Ukrajina



EurAsian oznaka o skladnosti.

Tehnički podaci	WCS 45
Glodanje utora u zidu	
Broj proizvodnje	4632 81 03... 3930 04 04... ...000001-999999
Snaga nominalnog prijema	1900 W
Nazivni broj okretaja	6200 min ⁻¹
D=Dijamantna rezna ploča-ø max. d=otvor sa ø	150 mm 22,2 mm
 b=Debljina rezne ploče min. / max.	2,4 / 2,6 mm
Dubina rezanja	0-45 mm
Širina rezanja	17-45 mm
Težina po EPTA-proceduri 01/2014	6,6 kg
Informacije o buci/vibracijama	
Mjerne vrijednosti utvrđene odgovarajuće EN 60 745. A-ocijenjeni nivo buke aparata iznosi tipično:	
Nivo pritiska zvuka (Nesigurnost K=3dB(A)) Nivo učinka zvuka (Nesigurnost K=3dB(A))	99 dB(A) 110 dB(A)
Nositi zaštitu sluha!	
Ukupne vrijednosti vibracije (Vektor suma tri smjersu odmjerene odgovarajuće EN 60745	
Vrijednost emisije vibracije a _n Nesigurnost K=	6,5 m/s ² 1,5 m/s ²

UPOZORENIE

Ova u ovim uputama navedena razina titranja je bila izmjerena odgovarajuće jednom u EN 60745 normiranom mjernom postupku i može se upotrijebiti za usporedbu električnog alata međusobno. Ona je prikladna i za privremenu procjenu titrajnog opterećenja.

Navedena razina titranja reprezentira glavne primjene električnog alata. Ukoliko se električni alat upotrebljava u druge svrhe sa odstupajućim primijenjenim alatima ili nedovoljnim održavanjem, onda razina titranja može odstupati. To može titrajno opterećenje kroz cijeli period rada bitno povisiti.

Za točnu procjenu titrajnog opterećenja se moraju uzeti u obzir i vremena u kojima je uređaj isključen ili u kojima doduše radi, ali nije i stvarno u upotrebi. To može titrajno opterećenje bitno smanjiti za vrijeme cijelog radnog perioda.

Utvrđite dodatne sigurnosne mjere za zaštitu poslužioca protiv djelovanja titranja kao npr.: Održavanje električnih alata i upotrebljenih alata, održavanje topline ruku, organizacija i radne postupke.

⚠ UPOZORENJE! Pročitajte molimo sve sigurnosna upozorenja i upute. Ako se ne bi poštivale napomene o sigurnosti i upute to bi moglo uzrokovati strujni udar, požar i/ili teške ozljede. **Sačuvajte sve napomene o sigurnosti i upute za buduću primjenu.**

⚠ SIGURNOSNE UPUTE ZA REZAČKO BRUSNE STROJEVE

a) Zaštitna hauba koja spada uz električni alat mora na siguran način biti postavljane i tako podešena, da se postigne najveća mjera sigurnosti, t.j. najmanji mogući dio brusnog tijela pokazuje otvoreno prema poslužiocu. Držite sebe i osobe koje se nalaze u blizini izvana ravnine rotirajućih brusnih ploča. Zaštitna hauba bi trebala poslužiocu štiti od ulomaka i slučajnog kontakta sa brusnim tijelom.

b) Upotrijebite isključivo vezane pojačane ili dijamant-om opremljene rezne ploče za vaš električni alat. Sam razlog, da pribor možete pričvrstiti na vaš električni alat, ne garantira sigurnu uporabu.

c) Dozvoljeni broj okretaja alatnih nastavaka mora najmanje biti toliki kao što je i najveći broj okretaja naveden na električnom alatu. Oprema koja ima veći broj okretaja od dozvoljenog može se polomiti i razletjeti.

d) Brusna tijela se smiju koristiti samo za preporučene mogućnosti primjene. Npr.: ne brusite nikada sa bočnom površinom brusne ploče za rezanje. Brusne ploče za rezanje predviđene su za rezanje materijala sa rubom ploče. Bočnim djelovanjem na ova brusna tijela one se mogu polomiti.

e) Za od Vas izabranu reznu ploču uvijek koristite zdravu priteznu pribornicu sa pravilnim promjerom. Odgovarajuća pribornica podupire reznu ploču i na ovaj način smanjuje mogućnost lomljenja ploče.

f) Ne koristite istrošene brusne ploče velikih električnih alata. Brusne ploče za velike električne alate nisu predviđene za veće brojeve okretaja manjih električnih alata i mogu puknuti.

g) Vanjski promjer i debljina korištenog alata moraju biti sukladni mjerama Vašeg električnog stroja. Alati sa ne primjerenim mjerama se ne mogu dovoljno pokriti i kontrolirati.

h) Brusne ploče i pribornice moraju točno pristajati na brusno vreteno vašeg električnog alata. Ugradni alati koji ne pristaju točno na brusno vreteno električnog alata se vrte neravnomjerno, vrlo jako vibriraju i mogu dovesti do gubitka kontrole.

i) Nemojte koristiti oštećene brusne ploče. Kontrolirajte prije svake primjene brusne ploče u svezi krhkosti i pukotina. Ako električni alat ili brusna ploča padnu na pod, provjerite da li su oštećene, ili uporabite jednu neoštećenu rusnu ploču. Kada ste brusnu ploču prekontrolirali i umetnuli, držite sebe i osobe koje se nalaze u blizini izvana ravnine rotirajućih brusnih ploča i pustite uređaj da jednu minutu radi pod najvećim brojem okretaja. Oštećene brusne ploče se za vrijeme ovog testa uglavnom polome.

j) Nosite osobnu zaštitnu opremu. Ovisno od primjene koristite masku za zaštitu lica i zaštitne naočale. Ukoliko je to potrebno, nosite masku za zaštitu od prašine, štitnike za sluh, zaštitne rukavice ili specijalne pregače, koje će vas zaštititi od sitnih čestica od

brušenja i materijala. Oči treba zaštititi od letećih stranih tijela koja nastaju kod različitih primjena. Zaštitne maske protiv prašine ili za disanje moraju profiltrirati prašinu nastalu kod primjene. Ako ste dulje vrijeme izloženi buci, mogao bi vam se pogoršati sluh.

k) Pazite, da su druge osobe na bezopasnoj udaljenosti od Vaše radne zone. Svako, ko ulazi u radnu zonu mora imati sredstva osobne zaštite. Odlomljeni dijelovi obrađivanog materijala ili pokvareni alat mogu odskočiti i izazvati oštete ljudi čak i izvan neposredne radne zone.

l) Držite spravu na izoliranim držačkim površinama kada izvodite radove kod kojih rezački alat može pogoditi skrivene vodove struje ili osobni kabel. Kontakt rezačkog alata sa vodovima koji sprovode napon može metalne dijelove sprave dovesti pod napon i tako dovesti do električnog udara.

m) Priključni kabel držite dalje od rotirajućeg radnog alata. Ako bi izgubili kontrolu nad električnim alatom, mogao bi se odrezati ili zahvatiti priključni kabel, a mogao bi zahvatiti i vaše ruke i šake.

n) Nikad ne ostavljajte električni stroj bez nadzora, dok se alat ne zaustavi potpuno. Alat koji se vrti može doći u kontakt sa površinom, na kojoj ste ostavili stroj, pri tome lako izgubite kontrolu nad strojem.

o) Ne dopustite da električni alat radi dok ga nosite. Rotirajući radni alat bi slučajnim kontaktom mogao zahvatiti vašu odjeću, a radni alat bi vas mogao ozlijediti.

p) Redovito čistite otvore za hlađenje vašeg električnog alata. Ventilator motora uvlači prašinu u kućište električnog alata, a veliko nakupljanje metalne prašine može uzrokovati električne opasnosti.

q) Ne koristite električni stroj u blizini eksplozivnih tvari. Iskre mogu zapaliti ove materijale.

r) Ne koristite alat, koji se mora hladiti tekućinama. Upotreba vode ili drugih tekućina za hlađenje mogu izazvati kratki spoj.

Ostale sigurnosne upute za rezačko brusnu primjenu

"Trzaj" stroja i odgovarajuće sigurnosne upute

Povratni udarac je jedna nagla reakcija usljed jedne zakačene ili blokirane okretajuće brusne ploče. Zakačenost ili blokiranje vodi do naglog zaustavljanja rotirajućeg električnog alata. Time se nekontrolirani električni alat suprotno smjeru okretanja ugradnog alata ubrzava na blokirnom mjestu.

Ako bi se npr. brusna ploča zaglavila ili blokirala u izratku, tada rub brusne ploče koja je zarezala u izradak može odlomiti brusnu ploču ili uzrokovati povratni udar. Brusna ploča se kod toga pomiče prema osobi koja rukuje električnim alatom ili od nje, ovisno od smjera rotacije brusne ploče na mjestu blokiranja. Kod toga se brusne ploče mogu i odlomiti.

Povratni udar je posljedica pogrešne ili neispravne uporabe električnog alata. On se može spriječiti prikladnim mjerama opreza, kao što su dolje opisane.

a) Električni alat držite čvrsto i vaše tijelo i ruke dovedite u položaj u kojem možete preuzeti silu povratnog udara. Ukoliko postoji koristite uvijek dodatnu ruku, kako bi imali najveću moguću kontrolu nad silama povratnog udara ili momentima reakcije kod rada električnog alata. Osoba koja rukuje električnim alatom može prikladnim mjerama opreza ovladati povratnim udarom ili silama reakcije.

b) Vaše ruke nikada ne stavljajte blizu rotirajućeg radnog alata. Radni alat se kod povratnog udara može pomaknuti preko vaših ruku.

c) Izbjegavajte područje ispred i iza rotirajuće rezačke ploče. Povratni udarac poganja električni alat u suprotnom smjeru kretanja brusne ploče na blokirnom mjestu.

d) Posebno opreznim radom u području uglova, oštiri rubova, itd. spriječit ćete da se radni alat odbaci od izratka i da se u njemu uklješti. Rotirajući radni alat kada se odbije na uglovima ili oštirim rubovima, sklon je uklještenju. To uzrokuje gubitak kontrole nad radnim alatom ili povratni udar.

e) Nemojte primijenjivati lančani ili nazubljeni list pile niti segmentiranu dijamantnu ploču sa širinom proreza većom od 10 mm. Ovakvi ugradni alati prouzročuju često povratni udar ili gubitak kontrole nad električnim alatom.

f) Izbjegavajte blokiranje brusnih ploča za rezanje ili preveliki pritisak. Ne izvodite prekomjerno duboke rezove. Preopterećenje brusnih ploča za rezanje povećava njihovo naprezanje i sklonost skošenja iz vertikalnog položaja ili blokiranja i time mogućnost povratnog udara ili loma brusne ploče.

g) Ukoliko bi se brusna ploča za rezanje uklještila ili vi prekidate rad, isključite električni alat i držite ga mirno, sve dok se brusna ploča ne zaustavi. Ne pokušavajte nikada brusnu ploču koja se još vrti vaditi iz reza, jer bi inače moglo doći do povratnog udara. Ustanovite i otklonite uzrok uklještenja.

h) Ne ukljućujte ponovno električni alat sve dok se brusna ploča za rezanje nalazi zarezana u izratku. Prije nego što oprezno nastavite sa rezanjem, ostavite da brusna ploča za rezanje prvo postigne svoj puni broj okretaja. Inače bi se brusna ploča mogla zaglaviti, odskočiti iz izratka ili uzrokovati povratni udar.

i) Podložite ploče ili velike izratke, kako bi se izbjegla opasnost povratnog udara od uklještenne brusne ploče za rezanje. Veliki izraci se mogu prognuti pod djelovanjem svoje vlastite težine. Izradak se mora osloniti na obje strane, i to kako u blizini brusne ploče za rezanje, tako i na rubu.

j) Budite posebno oprezni kod zarezivanja postojećih zidova ili na drugim nevidljivim područjima. Brusna ploča za rezanje koja je zarezala plinske ili vodovodne cijevi, električne vodove ili ostale objekte, može uzrokovati povratni udar.

RADNI SISTEM OTPRAŠIVAČ ZIDNOG ŽLJEBNOG GLODALA

Zidno žljebno glodalo uporabiti samo sa otprašivačem prašinske klase M. Druge kombinacije mogu dovesti do lošijeg obuhvatanja i odvođenja prašine.

Poštivati upute za rad, održavanje i čišćenje otprašivača uključno filtera. Kada su spremnici za prihvatanje prašine puni, odmah isprazniti.

Koristiti samo predviđenu usisnu gumenu cijev. Usisnu gumenu cijev ne manipulirati. Ako u usisnu gumenu cijev dospiju komadi kamenja, rad prekinuti i usisnu gumenu cijev odmah očistiti. Presavijanje usisne gumene cijevi izbjegavati.

Filter redovito čistiti i promijeniti; Filter/komponente filtera ne odstranjivati.

Zidna žljebna glodala i rezne ploče birati odgovarajuće podlozi. Proizvođači nude zavisno o podlozi različite rezne ploče.

Upotrebljavajte samo dijamantne rezne ploče. Segmentirane dijamantne ploče smiju imati samo negativne kutove rezanja i pokazivati maksimalne proreze od 10 mm između segmenata.

Rezne ploče pravovremeno promijeniti odn. naoštiriti. Kod smanjenja učinka rezanja provjeriti, da li su rezne ploče istošene i da li se moraju promijeniti odn. naoštiriti.

Postupak uronjavanja i tok rada izvoditi kao što je opisano u uputi za posluživanje.

RADNO MJESTO

Pridržavanje općih zahtjeva na radnim mjestima na gradilištima (dovoljna rasvjeta, izbjegavanje mjesta padova itd.) se mora osigurati. Poštivati sigurnosne upute. Pobrinite se za dobro provjetranje.

Zajamčiti slobodno radno polje. Kod dužih žljebova mora otprašivač biti navodljiv odn. mora se pravovremeno navoditi.

ORGANIZACIJA RADA

Koristiti zaštitu sluha, zaštitu za oči, zaštitu disanja i po potrebi rukavice. Kao zaštitu disanja uporabiti najmanje jednu polumasku za filtriranje čestica klase FFP2.

Za čišćenje radnog mjesta koristiti otprašivač. Naslage prašine ne dizati metenjem.

TRANSPORT, RUKOVANJE, SKLADIŠTENJE

Dijamantnim reznim pločama pažljivo rukovati i transportirati ih. Po mogućnosti koristite originalni omot ili neku drugu prikladnu ambalažu.

Ploče se moraju skladištiti u suhoj sredini i to tako, da ne budu izložene mehaničkim oštećenjima.

Štitite rezne ploče od udaraca, sudara i štetnih utjecaja okoline.

PRIKLJUČAK NA MREŽU

Priključiti samo na jednofaznu naizmjeničnu struju i samo na napon struje, naveden na pločici snage. Priključak je moguć i na utičnice bez zaštitnog kontakta, jer postoji dogradnja zaštitne klase II.

PROPISNA UPOTREBA

Žljebno glodalo za zidove gloda sa dvije paralelno postavljene dijamantne ploče za prosjecanje proreze za vodove i kablove (žljebove u zidovima) u svakoj vrsti zidina.

Ovaj aparat se smije upotrijebiti samo u određene svrhe kao što je navedeno.

Utičnice na vanjskom području moraju biti opremljene zaštitnim prekidačima za pogrešnu struju (FI, RCD, PRCD). To zahtjeva instalacijski propis za električne uređaje. Molimo da ovo poštujete prilikom upotrebe našeg aparata.

CE-IZJAVA KONFORMNOSTI

Izjavljujemo na osobnu odgovornost, da je proizvod opisan pod "Tehnički podaci", sukladan sa svim relevantnim propisima smjernice 2011/65/EU (RoHS), 2014/30/EU, 2006/42/EC i sa slijedećim harmoniziranim normativnim dokumentima:

EN 60745-1:2009 + A11:2010
EN 60745-2-22:2011 + A11:2013
EN 55014-1:2017
EN 55014-2:2015
EN 61000-3-2:2014
EN 61000-3-3:2013
EN 50581:2012

Winnenden, 2018-02-26

Alexander Krug
Managing Director



Ovlašten za formiranje tehničke dokumentacije.

Techtronic Industries GmbH
Max-Eyth-Straße 10
71364 Winnenden
Germany

RADNE UPUTE

Elektronika naknadno regulira broj okretaja kod porasta opterećenja

Kod dužeg opterećenja elektronika preklapa na reducirani broj okretaja. Stroj radi sporo dalje zbog hlađenja namotaja motora. Nakon isključivanja i ponovnog uključivanja se strojem može raditi dalje u području nominalnog opterećenja.

Pod djelovanjem ekstremnih elektromagnetskih smetnji izvana, mogu u pojedinim slučajevima nastati privremene oscilacije broja okretaja.

Tupe dijamantne ploče za prosjecanje (prepoznata se kroz jako iskrenje za vrijeme rada) nabrusiti višekratnim rezanjem kroz silikatnu opeku ili jednim specijalnim kamenom za brušenje.

Ploče za prosjecanje postaju prilikom rada vrlo vruće: ove ne dirati prije nego se ohlade.

ODRŽAVANJE

Proreze za prozračivanje stroja uvijek držati čistima.

Primijeniti samo Milwaukee opremu i rezervne dijelove. Sastavne dijelove, čija zamjena nije opisana, dati zamijeniti kod jedne od Milwaukee servisnih službi (poštivati brošuru Garancija/Adrese servisa).

Po potrebi se crtež pojedinih dijelova aparata uz navođenje podatka o tipu stroja i šestznamenastog broja na pločici snage može zatražiti kod vašeg servisa ili direktno kod Techtronic Industries GmbH, Max-Eyth-Straße 10, 71364 Winnenden, Njemačka.

SIMBOLI



PAŽNJA! UPOZORENIE! OPASNOST!



Prije radova na stroju izvući utikač iz utičnice.



Molimo da pažljivo pročitate uputu o upotrebi prije puštanja u rad.



Kod radova na stroju uvijek nositi zaštitne naočale.



Nositi zaštitu sluha!



Kao zaštitu disanja upotrijebiti barem jednu polumasku za filtriranje čestica klase FFP2



Nositi zaštitne rukavice!



Oprema - u opsegu isporuke nije sadržana, preporučena dopuna iz programa opreme.



Električni uređaji se ne smiju zbrinjavati skupa sa kućnim smećem. Električni uređaji se moraju skupljati odvojeno i predati na zbrinjavanje primjereno okolišu jednom od pogona za iskorišćavanje. Raspitajte se kod mjesnih vlasti ili kod stručnog trgovca u svezi gospodarstva za recikliranje i mjesta skupljanja.



Električni alat zaštitne kategorije II. Električni alat, čija zaštita od jednog električnog udara ne zavisi samo od osnovne izolacije, već i od toga, da se primijene dodatne zaštitne mjere, kao što su dvostruka izolacija ili pojačana izolacija. Ne postoji nikakva naprava za priključak nekog zaštitnog voda.



Oznaka-CE



Regulatory Compliance Mark (RCM).
Proizvod ispunjava valjane propise.



Nacionalni znak konformnosti Ukrajina



EurAsian znak konformnosti.

Iegremdēšanas process un darba norise veicama, kā aprakstīts lietošanas instrukcijā.

DARBA VIETA

Jānodrošina vispārējo prasību ievērošana darba vietām būvlaukumā (pieejams apgaismojums, izvairīties no vietām, kur var nokrist utt.). Ievērot drošības norādījumus.

Rūpēties par labu ventilāciju.

Nodrošināt brīvu darba lauku. Garāku gropju gadījumā atpūteļotājam brīvi jākustas, t.i., tas svaicīgi jāpievada.

DARBA ORGANIZĀCIJA

Izmantot ausu, acu aizargus, respiratorus un eventuāli cimdus. Kā respiratoru izmantot vismaz daļiņas filtrējošu pusmasku, klase FFP2.

Darba vietas tīrīšanai izmantot atpūteļotāju. Nogulsņējušos putekļus nepacelt, tos slaukot.

TRANSPORTS, DARBA METODES, UZGLABĀŠANA

Ar dimanta griešanas diskiem apieties un tos transportēt rūpīgi. Pēc iespējas izmantojiet oriģinālo iepakojumu vai citu piemērotu iepakojumu.

Diskus jāuzglabā sausā vietā tā, lai tiem netiktu nodarīti mehāniski bojājumi.

Sargājiet griešanas diskus no sitieniem, grūdieniem un kaitīgas apkārtējās vides iedarbības.

TĪKLA PIESLĒGUMS

Pieslēgt tikai vienpola maiņstrāvas tīklam un tikai spriegumam, kas norādīts uz jaudas panela. Pieslēgums iespējams arī kontaktligzdām bez aizsargkontaktiem, jo runa ir par uzbūvi, kas atbilst II. aizsargklasei.

NOTEIKUMIEM ATBILSTOŠS IZMANTOJUMS

Gropju frēze frēzē ar divām paralēlām dimanta ripām gropes vadiem un kabeliem (gropes mūrī) visa veida mūra sienās.

Šo instrumentu drīkst izmantot tikai saskaņā ar minētajiem lietošanas noteikumiem.

Kontaktligzdām, kas atrodas ārpus telpām jābūt aprīkotām ar automātiskiem drošinātājslēdzīem, kas nostrādā, ja strāvas plūsmā radušies (FI, RCD, PRCD) bojājumi. To pieprasa jūsu elektroiekārtas instalācijas noteikumi. Lūdzu, to ņemt vērā, izmantojot mūsu instrumentus.

ATBILSTĪBA CE NORMĀM

Mēs apliecinām, ka produkts, kura tehniskie parametri aprakstīti "tehnisko datu lapā", pilnībā atbilst prasībām saskaņā ar direktīvām 2011/65/EU (RoHS), 2014/30/ES, 2006/42/EK un attiecīgajiem harmonizētajiem normatīvajiem dokumentiem:

EN 60745-1:2009 + A11:2010
EN 60745-2-22:2011 + A11:2013
EN 55014-1:2017
EN 55014-2:2015
EN 61000-3-2:2014
EN 61000-3-3:2013
EN 50581:2012

Winnenden, 2018-02-26

Alexander Krug
Managing Director



Pilnvarotais tehniskās dokumentācijas sastādīšanā.

Techtronic Industries GmbH
Max-Eyth-Straße 10

71364 Winnenden
Germany

DARBA NORĀDES

Elektronika regulē apgriezienu skaitu ar paaugstinātu slodzi.

Pie ilgākas pārslodzes elektronika pārslēdzas uz reducētu apgriezienu skaitu. Mašīna turpina lēnām darboties, lai atdzesētu motoru. Pēc mašīnas ieslēgšanas vai atkārtotas ieslēgšanas ar to var turpināt strādāt nominālās jaudas ietvaros.

Ārkārtas ārējo elektromagnētisko traucējumu rezultātā atsevišķos gadījumos var uz laiku tikt izsautas apgriezienu skaita svārstības.

Notrulinātas dimanta ripas (var atpazīt pēc stipras dzirksteļošanas darba laikā) var uzasināt, vairākkārt iezāģējot kaļksmilšakmeni vai arī ar speciāla asināmā akmens palīdzību.

Darba laikā zāģa ripas kļūst ļoti karstas; tās nedrīkst aizskart, kamēr tās nav pilnībā atdzisušas.

APKOPE

Vajag vienmēr uzmanīt, lai būtu tīras dzesēšanas atveres.

Izmantojiet tikai firmu Milwaukee piederumus un firmas rezerves daļas. Lieciet nomainīt detaļas, kuru nomaīņa nav aprakstīta, kādā no firmu Milwaukee klientu apkalpošanas servisiem. (Skat. brošūru Garantija/klientu apkalpošanas serviss.)

Pēc pieprasījuma, Jūsu Klientu apkalpošanas centrā vai pie Technotronic Industries GmbH, Max-Eyth-Straße 10, 71364 Winnenden, Vācijā, ir iespējams saņemt iekārtas montāžas rasējumu, iepriekš norādot iekārtas modeli un sērijas numuru, kas atrodas uz datu plāksnītes un sastāv no sešiem simboliem.

SIMBOLI



UZMANĪBU! BĪSTAMI!



Pirms jebkādiem darbiem, kas attiecas uz mašīnas apkopi, mašīnu noteikti vajag atvienot no kontaktligzdas.



Pirms sākt lietot instrumentu, lūdzu, izlasiet lietošanas pamācību.



Strādājot ar mašīnu, vienmēr jānēsā aizsargbrilles.



Nēsāt trokšņa slāpētāju!



Elpošanas ceļu aizsardzībai jālieto daļiņas filtrējošu pusmasku, kas atbilst klasei FFP2.



Jāvalkā aizsargcimdil!



Piederumi - standartaprīkojumā neietvertās, bet ieteicamās papildus komplektācijas detaļas no piederumu programmas.



Elektroiekārtas nedrīkst izmest kopā ar sadzīves atkritumiem.

Elektriskās un elektroniskās iekārtas ir jāsavāc atsevišķi un jānodod pārstrādes uzņēmumam, kas no tām atbrīvosies dabai draudzīgā veidā. Meklējiet atreizējās pārstrādes poligonus un savākšanas punktus vietējās pārvaldes iestādēs vai pie preces pārdevēja.



II aizsardzības klases elektroinstrumenti. Elektroinstrumenti, kuram aizsardzība pret elektrisko triecienu ir atkarīga ne tikai no pamata izolācijas, bet arī no tā, ka tiek piemēroti papildu aizsardzības pasākumi, piemēram, dubultā izolācija vai pastiprināta izolācija. Aizsarga pieslēgšanai instrumenti nav paredzēti.



CE marķējums



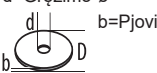
Regulatory Compliance Mark (RCM). Produkts atbilst spēkā esošajiem noteikumiem.



Ukrainas nacionālais atbilstības simbols



EurAsian atbilstības marķējums.

Techniniai duomenys	WCS 45
Mūro griovelių freza	
Produkto numeris	4632 81 03... 3930 04 04... ...000001-999999
Vardinė imamoji galia	1900 W
Nominalus sūkių skaičius	6200 min ⁻¹
D=Deimantinis pjovimo diskas diskas-ø maks. d=Gręžimo-ø	150 mm 22,2 mm
 b=Pjovimo disko storis min. / maks.	2,4 / 2,6 mm
Pjūvio gylis	0-45 mm
Pjūvio plotis	17-45 mm
Prietaiso svoris įvertintas pagal EPTA 2014/01 tyrimų metodiką	6,6 kg
Informacija apie triukšmą/vibraciją Vertės matuotos pagal EN 60 745. Įvertintas A įrenginio keliamo triukšmo lygis dažniausiai sudaro:	
Garso slėgio lygis (Paklaida K=3dB(A)) Garso galios lygis (Paklaida K=3dB(A))	99 dB(A) 110 dB(A)
Nešioti klausos apsaugines priemones! Bendroji svyravimų reikšmė (trijų krypčių vektorių suma), nustatyta remiantis EN 60745. Vibravimų emisijos reikšmė a _v Paklaida K=	6,5 m/s ² 1,5 m/s ²

DĖMESIO

Instrukcijoje nurodyta svyravimų ribinė vertė yra išmatuota remiantis standartu EN 60745; ji gali būti naudojama keliems elektriniams instrumentams palyginti. Ji taikoma ir laikinai įvertinti svyravimų apkrovą.

Nurodyta svyravimų ribinė vertė yra taikoma pagrindinėse elektrinio instrumento naudojimo srityse. Svyravimų ribinė vertė gali skirtis naudojant elektrinį instrumentą kitose srityse, papildomai naudojant netinkamus elektrinius instrumentus arba juos nepakankamai techniškai prižiūrint. Dėl to viso darbo metu gali žymiai padidėti svyravimų apkrova.

Siekiant tiksliai nustatyti svyravimų apkrovą, būtina atsižvelgti ir į laikotarpį, kai įrenginys yra išjungtas arba įjungtas, tačiau faktiškai nenaudojamas. Dėl to viso darbo metu gali žymiai sumažėti svyravimų apkrova.

Siekiant apsaugoti vartotojus nuo svyravimo įtakos naudojamos papildomos saugos priemonės, pavyzdžiui, elektrinių darbo instrumentų techninė priežiūra, rankų šilumos palaikymas, darbo procesų organizavimas.

⚠️ ĮSPĖJIMAS! Perskaitykite visus saugos nurodymus ir instrukcijas. Jei nepaisysite žemiau pateiktų saugos nuorodų ir reikalavimų, gali trenkti elektros smūgis, kilti gaisras ir/arba galite sunkiai susižaloti arba sužaloti kitus asmenis. **Išsaugokite šias saugos nuorodas ir reikalavimus, kad ir ateityje galėtumėte jais pasinaudoti.**

⚠️ PJOVIMO IR ŠLIFAVIMO STAKLIŲ SAUGOS NURODYMAI

a) Elektrinio prietaiso apsauginis gaubtas privalo būti uždedamas ir taip nustatomas, kad būtų garantuojamas didžiausias saugumas, t. y. mažiausia šlifavimo įrankio dalis yra nukreipta į valdymo personalą. Jūs ir netoliese esantys asmenys privalo būti ne besisukančio šlifavimo disko zonoje. Apsauginis gaubtas apsaugo valdymo personalą nuo atlūžusių detalių ir atsitiktinio kontakto su šlifavimo įrankiu.

b) Kartu su savo elektriniu prietaisu naudokite tik sujungtus sustiprintus arba deimantais dengtus pjovimo diskus. Saugus naudojimas negarantuojamas vien todėl, kad priedą galite pritvirtinti prie savo elektros įrankio.

c) Panaudojamų dalių leistinas apsisukimų skaičius turi būti mažiausiai tokio dydžio, koks yra nurodytas didžiausias apsisukimų skaičius ant elektros prietaiso. Dalys, kurios sukasi greičiau negu yra leistina, gali sulūžti ir skristi į šalį.

d) Šlifavimo įrankius leidžiama naudoti tik pagal rekomenduojamą paskirtį. Pvz., niekada nešlifukite pjovimo disko šoniniu paviršiumi. Pjovimo diskai

sūkių skaičiumi. Pažeisti šlifavimo diskai dažniausiai lūžta šio bandymo metu.

j) Dirbkite su asmeninėmis apsaugos priemonėmis. Atitinkamai pagal atliekamą darbą užsidėkite viso veido apsaugos priemonės, akių apsaugos priemonės ar apsauginius akinius. Jei nurodyta, užsidėkite apsauginį respiratorių nuo dulkių, klausos apsaugos priemonės, apsaugines pirštines ir specialią prijuostę, kuri apsaugos Jus nuo smulkių šlifavimo ir ruošinio dalelių. Akys turi būti apsaugotos nuo aplink lekiančių svetimkūnių, atsirandančių atliekant įvairius darbus. Respiratorius arba apsauginę kaukę turi išfiltruoti darbo metu kylančias dulkes. Dėl ilgalaikio ir stipraus triukšmo poveikio galite prarasti klausą.

k) Sekite, kad kiti asmenys nuo Jūsų darbo zonos būtų per saugų atstumą. Kiekvienas įžengiantis į Jūsų darbo zoną asmuo privalo nešioti asmenines saugos priemones. Ruošinio ar darbinio įrankio nuolaužos gali nuskrietti ir sužaloti asmenis taip pat už tiesioginės darbo zonos ribų.

l) Dirbdami laikykite prietaisą už izoliuotų vietų, kuriose pjovimo įrenginys pats galėtų liesti paslėptus laidus arba savo paties laidą. Pjovimo įrenginio kontaktas su įtampos laidais gali įelektrinti metalines prietaiso dalis, o tai gali sukelti elektros iškravą.

m) Maitinimo laidą laikykite toliau nuo besisukančio darbo įrankių. Jei nebesuvaldytumėte prietaiso, darbo įrankis gali perpjauti maitinimo laidą arba jį įtraukti, o Jūsų plaštaka ar ranka gali patekti į besisukančią darbo įrankį.

n) Niekada nepadėkite elektrinio įrankio tol, kol darbo įrankis visiškai nusustos. Besisukantis įrankis gali prisiliesti prie paviršiaus, ant kurio jis dedamas, tada galite nesuvaldyti elektrinio įrankio.

o) Nešdami prietaisą jo niekada neįjunkite. Netyčia prisilietus prie besisukančio darbo įrankio, jis gali įtraukti drabužius ir Jus sužeisti.

p) Reguliariai valykite elektrinio prietaiso ventiliacines angas. Variklio ventiliatorius traukia dulkes į korpusą, ir susikaupus daug metalo dulkių gali kilti elektros smūgio pavojus.

q) Elektrinį įrankį draudžiama naudoti arti degių medžiagų. Nuo kibirkščių šios medžiagos gali užsiliepsnoti.

r) Nenaudokite darbinį įrankių, kuriems reikalingas aušinimas skysčiu. Naudodami vandenį arba kitas skys-tas aušinimo medžiagas galite gauti elektros smūgį.

Kiti pjovimo ir šlifavimo staklių naudojimo saugos nurodymai

Atatranka ir atitinkami saugos nurodymai

Atatranka yra staigi užstrigus arba užblokuoto šlifavimo disko reakcija. Užstrigus arba užblokuvus besisukantis įstatomasis įrankis staiga sustabdomas. Taip nekontroliuojamas elektrinis prietaisas blokavimo vietoje pradeda suklikti prieš įstatomojo įrankio sukimosi kryptį.

Pvz., jei ruošinyje įstringa ar yra užblokuojamas šlifavimo diskas, disko briauna, kuri yra ruošinyje, gali išlūžti ar sukelti atatranką. Tada šlifavimo diskas, priklausomai nuo jo sukimosi krypties blokavimo vietoje, pradeda judėti link dirbančiojo arba nuo jo. Tada šlifavimo diskas gali net nulūžti.

Atatranka yra netinkamo elektrinio prietaiso naudojimo ar gedimo pasekmė. Jos galite išvengti, jei imsitės atitinkamų, žemiau aprašytų priemonių.

a) Dirbdami visada tvirtai laikykite prietaisą abiem rankom ir stenkitės išlaikyti tokią kūno ir rankų padėtį, kurioje sugebėtumėte atsipirti prietaiso pasipriešinimo jėgai atatrankos metu. Jei yra papildoma rankena, visada ją naudokite, tada galėsite suvaldyti atatrankos jėgas bei reakcijos jėgų momentą.

Dirbantysis, jei imsis tinkamų saugos priemonių, gali suvaldyti reakcijos jėgas atatrankos metu.

b) Niekada nelaiykite rankų arti besisukančio darbo įrankio. Įvykus atatrankai įrankis gali pataikyti į Jūsų ranką.

c) Venkite būti zonoje prieš ir už besisukančio pjovimo disko. Atatrankos jėga verčia elektrinį prietaisą judėti nuo blokavimo vietos priešinga šlifavimo disko sukimosi kryptimi.

d) Ypač atsargiai dirbkite kampuose, ties aštriomis briaunomis ir t. t. Saugokite, kad darbo įrankis neatsimuštų į kliūtis ir neįstrigtų. Besisukantis darbo įrankis kampuose, ties aštriomis briaunomis arba atsimušęs į kliūtį turi tendenciją užstrigti. Tada prietaisas tampa nevaldomas arba įvyksta atatranka.

e) Nenaudokite grandininį arba dantytų pjovimo diskų bei segmentinių deimantinių diskų, kurių grioveliai platesni kaip 10 mm. Tokie darbo įrankiai dažnai sukelia atatranką arba elektrinis prietaisas tampa nevaldomas.

f) Venkite užblokuoti pjovimo diską ir nespaukite jo per stipriai prie ruošinio. Nemėginkite atlikti pernelyg gilių pjūvių. Per stipriai prispaudus pjovimo diską, padidėja jam tenkanti apkrova ir atsiranda didesnė tikimybė jį pakreipti bei užblokuoti pjūvyje, vadinas padidėja atatrankos ir disko lūžimo rizika.

g) Jei pjovimo diskas užstringa arba Jūs norite nutraukti darbą, išjunkite elektrinį prietaisą ir laikykite jį ramiai, kol diskas visiškai nustos sukstis. Niekada nemėginkite iš pjūvio vietos ištraukti dar tebesisukančią diską, nes gali įvykti atatranka. Nustatykite ir pašalinkite disko strigimo priežastį.

h) Neįjunkite elektrinio prietaiso iš naujo tol, kol diskas neištrauktas iš ruošinio. Palaukite, kol pjovimo diskas pasieks darbinį sūkių skaičių, ir tik tada atsargiai tęskite pjovimą. Priešingu atveju diskas gali užstrigti, išškoti iš ruošinio ar sukelti atatranką.

i) Plokęs ar didelis ruošinys paremkite, kad sumažintumėte atatrankos riziką dėl užstrigusio pjovimo disko. Dideli ruošiniai gali išlinkti dėl savo svorio. Ruošinį reikia paremti iš abiejų pusių, tiek ties pjūvio vieta, tiek ir prie krašto.

j) Būkite ypač atsargūs pjaudami sienose ar kituose nepermatomuose paviršiuose. Panyrantis pjovimo diskas gali pažeisti elektros laidus, dujotiekio ar vandentiekio vamzdžius ar kitus objektus ir sukelti atatranką.

SIENŲ FREZOS-DULKĖGAUDŽIO DARBO SISTEMA

Sienų frezą naudokite tik kartu su M dulkių klasės dulkėgaudžiais. Dėl kitų kombinacijų galimas blogesnis dulkių rinkimas ir atskyrimas.

Būtina laikytis dulkėgaudžio bei filtrų naudojimo, techninės priežiūros ir valymo nurodymų. Jeigu dulkių surinkimo indai yra pilni, juos būtina nedelsiant ištuštinti.

Naudokite tik numatytą siurbimo žarną. Siurbimo žarnos nepermatuokite. Jeigu į siurbimo žarną patenka akmenų, nutraukite darbą ir nedelsdami ją išvalykite. Venkite perlenkti siurbimo žarną.

Reguliarai valykite ir keiskite filtrus; nepašalinkite filtrų / filtrų komponentų.

Sienų frezų ir pjovimo diskus pasirinkite pagal pagrindą. Gamintojai pagal pagrindą siūlo įvairių pjovimo diskų.

Naudokite tik deimantais dengtus pjovimo diskus. Segmentuoti deimantiniai diskai privalo būti neigiamo pjovimo kampo, o didžiausi pjūviai tarp segmentų turi būti 10 mm.

Laiku keiskite arba paaštrinkite pjovimo diskus. Sumažėjus pjovimo galiai patikrinkite, ar pjovimo diskai nesusidėvėję, ar būtina juos pakeisti arba paaštrinti.

Įstūmimą ir darbo eigą vykdykite, kaip aprašyta naudojimo instrukcijoje.

DARBO VIETA

Būtina garantuoti bendrųjų reikalavimų darbo vietoje (pakankamas apšvietimas, pavojingų dėl galimybės nukristi vietų vengimas ir t. t.) laikymąsi. Laikykitės saugos nurodymų.

Pakankamai ventiliuokite.

Užtikrinkite laisvą darbo plotą. Atliekant gilesnius pjūvius dulkėgaudis privalo būti prieinamas arba laiku pristatytas.

DARBO ORGANIZAVIMAS

Naudokite, klausos, akių, kvėpavimo takų apsaugą ir, jeigu reikia, pirštines. Kaip kvėpavimo takų apsaugą naudokite FFP2 klasės nors vienos rūšies dalelės filtruojančią pusinę kaukę.

Dulkėgaudį naudokite darbo vietos valymui. Nusėdusių dulkių nesukelkite šluodami.

PERVEŽIMAS, NAUDOJIMAS, LAIKYMAS

Deimantinius pjovimo diskus naudoti ir pervežti būtina atsargiai. Pagal galimybę naudokite originalią pakuotę arba kitą tinkamą pakuotę.

Diskus būtina laikyti sausoje aplinkoje taip, kad nebūtų jokių mechaninių pažeidimų.

Pjovimo diskus saugokite nuo smūgių, atsitrenkimų ir kenksmingos aplinkos įtakos.

ELEKTROS TINKLO JUNGTIS

Jungti tik prie vienfazės kintamos elektros srovės ir tik į specifikacijų lentelėje nurodytos įtampos elektros tinklą. Konstrukcijos saugos klasė II, todėl galima jungti ir į lizdus be apsauginio kontakto.

NAUDOJIMAS PAGAL PASKIRTĮ

Mūro prapjovų freza dviem lygiagrečiais deimantiniais abrazyviniais diskais bet kokiam mūre pjauna laidų ir kabelių kanalus (sienos griovelius).

Šį prietaisą leidžiama naudoti tik pagal nurodytą paskirtį.

Lauke esantys el. lizdai turi būti su gedimo srovės išjungikliais. Tai nurodyta Jūsų elektros įrenginio instaliacijos taisyklėse (FI, RCD, PRCD). Atsižvelkite į tai, naudodami prietaisą.

CE ATITIKTIES PAREIŠKIMAS

Remiantis bendrais atsakomybės reikalavimais pareiškiam, jog skyriuje "Techniniai duomenys" aprašytas produktas atitinka visus toliau pateiktų juridinių direktyvų reikalavimus: 2011/65/EU (RoHS), 2014/30/ES, 2006/42/EB ir kitus su jomis susijusius norminius dokumentus: EN 60745-1:2009 + A11:2010

EN 60745-2-22:2011 + A11:2013

EN 55014-1:2017

EN 55014-2:2015

EN 61000-3-2:2014

EN 61000-3-3:2013

EN 50581:2012

Winnenden, 2018-02-26

Alexander Krug
Managing Director



Įgaliotas parengti techninius dokumentus.

Techtronic Industries GmbH
Max-Eyth-Straße 10
71364 Winnenden
Germany

NUORODOS DARBUI

Didėjant apkrovai, elektroninis valdymas perreguliuoja sūkių skaičių.

Esant ilgesnei perkrovai, elektroninis valdymas sumažina sūkių skaičių. Įrenginys toliau lėtai veikia ir aušina variklio apviją. Išjungus ir vėl įjungus, galima įrenginiu dirbti toliau vardinės apkrovos diapazone.

Ypatingai didelių išorinių elektromagnetinių trukdžių poveikyje atskirais atvejais galimi trumpalaikiai sūkių skaičiaus svyravimai.

Atšipusius deimantinius abrazyvinius diskus (atpažįstama iš stipraus kibirkščiavimo darbo metu) galima paglausti daug kartų pjaunant silikatinės plytas arba specialiu glaštuvu.

Darbo metu abrazyviniai pjovimo diskai labai įkaista. Nelieskite jų, kol neatvės.

TECHNINIS APTARNAVIMAS

Įrenginio vėdinimo angos visada turi būti švarios.

Naudokite tik Milwaukee priedus ir atsargines dalis. Dalis, kurių keitimas neaprašytas, leidžiama keisti tik Milwaukee klientų aptarnavimo skyriams (žr. garantiją/klientų aptarnavimo skyrių adresus brošiūroje).

Esant poreikiui, nurodžius mašinos modelį ir šešiaženklį numerį, esantį ant specifikacijų lentelės, klientų aptarnavimo centre arba tiesiogiai „Techtronic Industries GmbH“, Max-Eyth-Str. 10, 71364 Winnenden, Vokietija, galite užsakyti išplėstinį prietaiso brėžinį.

SIMBOLIAI



DĖMESIO! ĮSPĖJIMAS! PAVOJUS!



Prieš atlikdami bet kokius įrenginyje, ištraukite iš lizdo kištuką.



Prieš pradėdami dirbti su prietaisu, atidžiai perskaitykite jo naudojimo instrukciją.



Dirbdami su įrenginiu visada nešiokite apsauginius akinius.



Nešioti klausos apsaugines priemones!



Kaip kvėpavimo apsaugos priemonę būtina naudoti bent FFP2 klasės dulkes filtruojantį respiratorių.



Lietojiet aizsardzības cimdus!



Priedas – neįeina į tiekimo komplektaciją, rekomenduojamas papildymas iš priedų asortimento.



Elektros prietaisų negalima išmesti kartu su buitinėmis atliekomis.

Būtina rūšiuoti elektros ir elektroninius prietaisus ir atiduoti į atliekų perdavimo centrą, kad jie būtų utilizuoti neteršiant aplinkos.

Informacijos apie perdavimo centrus ir atliekų surinkimo įstaigas teiraukitės vietos įstaigoje arba prekybininko.



II apsaugos klasės elektrinis įrankis. Šio elektrinio įrankio apsauga nuo elektros smūgio priklauso ne tik nuo pagrindinės izoliacijos, bet ir nuo to, kaip naudojamos papildomos apsauginės priemonės, tokios kaip dviguba arba pagerinta izoliacija. Nėra jokio prietaiso apsauginio laido pajungimui.



CE ženklas



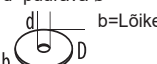
Regulatorius Compliance Mark (RCM). Produktas atitinka galiojančias taisykles.



Nacionalinė atitikties žyma Ukrainoje



EurAsian atitikties ženklas.

Tehnilised andmed	WCS 45
Seinafrees	
Tootmisnumber	4632 81 03... 3930 04 04... ...000001-999999
Nimitarbimine	1900 W
Nimipöörded	6200 min ⁻¹
D=Teemantlõikeketta ø maks. d=puurava ø	150 mm 22,2 mm
 b=Lõikeketta paksus min. / maks.	2,4 / 2,6 mm
Lõikesügavus	0-45 mm
Lõike laius	17-45 mm
Kaal vastavalt EPTA-protseduurile 01/2014	6,6 kg
Müra/vibratsiooni andmed	
Mõõteväärtused on kindlaks tehtud vastavalt normile EN 60 745. Seadme tüüpiline hinnanguline (A) müratase:	
Helirõhutase (Määramatus K=3dB(A))	99 dB(A)
Helivõimsuse tase (Määramatus K=3dB(A))	110 dB(A)
Kandke kaitseks kõrvaklappe!	
Vibratsiooni koguväärtus (kolme suuna vektorsummmõõdetud EN 60745 järgi.	
Vibratsiooni emissiooni väärtus a _v	6,5 m/s ²
Määramatus K=	1,5 m/s ²

TÄHELEPANU

Antud juhendis toodud võnketase on mõõdetud EN 60745 standardile vastava mõõtesüsteemiga ning seda võib kasutada erinevate elektriseadmete omavahelises võrdlemises. Antud näitaja sobib ka esmaseks võnkekoormuse hindamiseks.

Antud võnketase kehtib elektriseadme kasutamisel sihtotstarbeliselt. Kui elektriseadet kasutatakse muudel otstarvetel, muude tööriistadega või seda ei hooldata piisavalt võib võnketase siintoodust erineda. Eeltoodu võib võnketaset märkimisväärselt tõsta terves töökeskkonnas.

Võnketaseme täpseks hindamiseks tuleks arvestada ka Milwaukeea, mil seade on välja lülitatud või on küll sisse lülitatud, kuid ei ole otseselt kasutuses. See võib märgatavalt vähendada kogu töökeskkonna võnketaset.

Rakendage spetsiaalseid ettevaatusabinõusid töötajate suhtes, kes puutuvad töö käigus palju kokku vibratsiooniga. Nendeks abinõudeks võivad olla, näiteks: elektri- ja tööseadmete korraline hooldus, käte soojendamine, töövoo parem organiseerimine.

⚠ HOIATUS! Lugege kõiki ohutusjuhiseid ja korraldusi. Ohutusnõuete ja juhiste eiramise tagajärjeks võib olla elektrilöökk, tulekahju ja/või rasked vigastused. **Hoidke kõik ohutusnõuded ja juhised edasiseks kasutamiseks hoolikalt alles.**

⚠ KETASLÕIKURITE OHUTUSJUHISEID

a) Elektritööriista juurde kuuluv kaitsekatte peab olema kindlalt paigaldatud ja nii seadistatud, et saavutatakse kõrgeim ohutusmäär, st operaatori poole on avatud lihvkeha väikseim võimalik osa. Hoidke ise ja läheduses viibivad inimesed väljaspool pöörleva lihvketta tasandit. Kaitsekatte ülesandeks on kaitsta operaatorit murdetükide ja juhusliku lihvkehaga kokkupuute eest.

b) Kasutage elektritööriistal eranditult sidekoega tugevdatud või teemantidega varustatud lõikekettaid Ainult see, et Te saate tarku oma elektritööriista kinnitada, ei garanteeri veel ohutut kasutamist.

c) Instrumenti lubatud pöörete arv peab olema vähemalt sama suur kui elektritööriistal märgitud maksimaalne pöörete arv. Tarvikud, mis pöörlevat lubatust kiiremini, võivad murruda ja lendu paiskuda.

d) Lihvimistarvikuid tohib kasutada üksnes soovitatud kasutusotstarvetel. Näiteks: Ärge kunagi kasutage lihvimiseks lõikekettat külgpinda. Lõikekettad on ette nähtud materjali lõikamiseks ketta servaga. Külgsuunas rakendatavate jõudude toimel võivad need kettad puruneda.

e) Kasutage alati tervet ja valitud lõikekettaga suuruselt sobivat kinnitussäärikut. Õigesti valitud säärikud

toetavad lõikekettast ning vähendavad ketta purunemise riski.

f) Ärge kasutage suuremate elektriliste tööriistade kulunud lihvketaid. Suuremate elektriliste tööriistade lihvketad ei ole ette nähtud kasutamiseks väiksemate seadmete kõrgematel pööretel ja võivad puruneda.

g) Kasutatava instrumendi välisdiaameeter ja paksus peavad vastama elektritööriista etteantud mõõtudele. Vale mõõduga instrumente ei ole võimalik kaitseesadistega piisavalt turvata ja kontrollida.

h) Lihvkettad ja äärikud peavad täpselt Teie elektritööriista lihvspindlile sobima. Rakendustööriistad, mis sobi täpselt elektritööriista lihvspindlile, pöörlevad ebaühtlaselt, vibreerivad väga tugevasti ja võivad põhjustada kontrolli kaotamise.

i) Ärge kasutage kahjustunud lihvketaid. Kontrollige iga kord enne kasutamist lihvketaid eraldunud kildude ja pragude suhtes. Kui elektritööriista või lihvketas kukub maha, siis kontrollige seda kahjustumise suhtes või kasutage kahjustamata lihvketat. Kui olete lihvketta üle kontrollinud ja paigaldanud, siis hoidke ise ning läheduses viibivad inimesed väljaspool pöörleva lihvketta tasandit ja laske seadmel üks minut suurimatel pööretel töötada. Kahjustatud lihvketad purunevad enamasti selle testimisaja jooksul.

j) Kandke isikukaitsevahendeid. Kasutage vastavalt kasutusotstarbele näomaski, silmakaitset või kaitseprille. Vajaduse korral kandke tolmukaitsemaski, kuulmiskaitsevahendeid, kaitsekindaid või kaitsepõlle, mis kaitseb Teid lihvimisel eralduvate väikeste osakeste eest. Silmad peavad olema kaitstud seadme kasutamisel eralduvate vöörkehade eest. Tolmu- või hingamisteede

kaitsemaskid peavad filtreerima kasutamisel tekkiva tolmu. Pikaajaline vali müra võib kahjustada kuulmist.

k) Jälgige, et teised inimesed oleksid teie tööpiirkonnast ohutus kauguses. Kõik tööpiirkonda tulevad isikud peavad kanda isiklikke kaitsevahendeid. Töödeldava materjali või puruneva instrumendi kildud võivad paiskuda eemale ja tekitada vigastusi ka väljaspool otsest tööpiirkonda.

l) Tööde puhul, kus lõikeseade võib minna vastu peidetud elektrijuhtmeid või seadme enda toitejuhet, hoidke kinni seadme isoleeritud käepidemetest. Kokkupuude pingestatud juhtmega võib pingestada ka lõikeseadme metallist osad ning põhjustada elektrilöögi.

m) Hoidke toitejuhe pöörlevatest tarkikutest eemal. Kontrolli kaotusel seadme üle tekib toitejuhtme läbilõikamise või kaasahaaramise oht ning Teie käsi võib pöörleva tarkikuga kokku puutuda.

n) Ärge pange seadet kunagi enne käest, kui instrument on täielikult seisma jäänud. Veel pöörlev instrument võib puutuda vastu pinda, millele te seadme asetate, ning te võite elektritööriista üle kontrolli kaotada.

o) Seadme transportimise ajal ärge laske seadmel töötada. Teie rõivad võivad pöörleva tarkikuga juhuslikult kokku puutuda ning tarkiv võib tungida Teie kehasse.

p) Puhastage regulaarselt seadme ventilatsioonivahendeid. Mootori ventilator tõmbab tolmu korpusesse, kuhjuv metallitölm võib põhjustada elektrilisi ohte.

q) Ärge kasutage seadet põlevate materjalide läheduses. Seadmest lenduvad sädemed võivad neid materjale süüdata.

r) Ärge kasutage instrumente, mille jaoks on vaja jahutusvedelikke. Vee või muude vedelate jahutusvahendite kasutamine võib põhjustada elektrilöögi.

Edasised ohutusjuhised lihvimisrakendusteks

Tagasilöökk ja sellega seonduvad ohutusnõuded

Tagasilöökk on äkiline reaktsioon pöörleva lihvketta haakumise või blokeerumise tagajärjel. Haakumine või blokeerumine põhjustab pöörleva rakendustööriista järsu peatumise. Seeläbi paisatakse kontrollimatu elektritööriist blokeerimiskohast rakendustööriista pöörlemissuunale vastupidisesse suunda.

Kui näiteks lihvketas toorikus kinni kiidub, võib tagajärjeks olla tagasilöökk või lihvketta murrumine. Lihvketas liigub sõltuvalt ketta pöörlemissuunast kas seadme kasutaja poole või kasutajast eemal. Seejuures võivad lihvketad ka murruda.

Tagasilöökk on seadme ebaõige kasutamise või valede töövõtete tagajärg. Seda saab vältida, rakendades järgnevalt kirjeldatud sobivaid ettevaatusabinõusid.

a) Hoidke seadet tugevasti kinni ja viige oma keha ja käed asendisse, milles saate tagasilöögiõududele vastu astuda. Suurima kontrolli saavutamiseks tagasilöögiõudude või reaktsioonimomentide üle kasutage alati lisakäpeid, kui see on olemas. Seadme kasutaja suudab sobivaid ettevaatusabinõusid rakendades tagasilöögi- ja reaktsioonijõudusid kontrollida.

b) Ärge viige oma kätt kunagi pöörlevate tarkikute lähedusse. Tagasilöögi puhul võib tarkiv liikuda üle Teie kää.

c) Vältige pöörleva lõikeketta ees ja taga asuvat piirkonda. Tagasilöökk tõukab elektritööriista blokeerimiskohas lihvketta liikumisele vastupidises suunas.

d) Eriti ettevaatlikult töötage nurkade, teravate servade jmt piirkonnas. Hoidke ära tarkikute tagasipõrkumine toorikult ja kinnikiildumine. Pöörlev tarkiv kaldub nurkades, teravates servades ja tagasipõrkumise korral kinni kiilduma. See põhjustab kontrolli kaotuse seadme üle või tagasilöögi.

e) Ärge kasutage kett-ega hammastatud saeketast, samuti üle 10 mm laiuste lõhikutega segmenteeritud teemantketast. Sellised rakendustööriistad põhjustavad sageli tagasilööki või kontrolli kaotamist elektritööriista üle.

f) Vältige lõikeketta kinnikiildumise või liiga suurt rakendatavat survet. Ärge tehke liiga sügavaid lõikeid. Lõikeketta ülekoormamine suurendab selle koormust ja kalduvust kinnikiildumisele ning sellega tagasilöögi või lihvketta purunemise ohtu.

g) Kui lõikekettas kinni kiidub või kui Te töö katkestate, lülitage seade välja ja hoidke seda paigal, kuni ketas on täielikult seiskunud. Ärge kunagi püüdke veel pöörleva lõikekettast lõikejoonest välja tõmmata, vastasel korral võib tekkida tagasilöökk. Tehke kindlaks kinnikiildumise põhjus ja kõrvaldage see.

h) Ärge lülitage seadet sisse seni, kuni see on veel toorikus. Laske lõikekettal kõigepealt saavutada maksimaalpöörded, enne kui lõiget ettevaatlikult jätkate. Vastasel korral võib ketas kinni kiiduda, toorikust välja hüpata või tagasilöögi põhjustada.

i) Toestage plaadid või suured toorikud, et vähendada kinnikiildumise ohtu. Suured toorikud võivad omaenda kaalu tõttu läbi painduda. Toorik peab olema toetatud mõlemalt poolt, nii lõikejoone lähedalt kui ka servast.

j) Olge eriti ettevaatlikult uputuslõigete tegemisel seintesse või teistesse varjatud objektidesse. Uputatav lõikekettas võib gaasi- või veetorude, elektrijuhtmete või teiste objektide tabamisel põhjustada tagasilöögi.

TÖÖSÜSTEEM MÜÜRISOONEFREES - TOLMUSEPARAATOR

Kasutage müürisoonefreesi üksnes tolmuklassi M tolmuseparaatoritega. Muud kombinatsioonid võivad tolmu halba kinnipüüdmist ja eraldumist põhjustada.

Järgige tolmuseparaatori sh filtrite käitamise, hooldamise ja puhastamisega seonduvad juhised. Kui tolmukogumismahuti on täis, siis tühjendage kohe.

Kasutage ainult ettenähtud imivoolikut. Ärge manipuleerige imivoolikut. Kui kivikamakad satuvad imivoolikusse, siis katkestage töö ja puhastage kohe imivooliku. Vältige imivooliku kokkumurdmist.

Puhastage ja vahetage regulaarselt filtreid; ärge eemaldage filtreid/ filterkomponente.

Valige müürisoonefrees ja lõikekettad välja vastavalt aluspinnale. Tootjad pakuvad aluspinnast olenevalt erinevaid lõikekettaid.

Kasutage üksnes teemantidega varustatud lõikekettaid. Segmenteeritud teemantkettad tohivad olla üksnes negatiivse lõikenurgaga ja maksimaalselt 10 mm lõhikutega segmentide vahel.

Vahetage lõikekettad õigeaegselt välja või vastavalt teritage üle. Kontrollige vähenenud lõikevõimsuse korral, kas lõikekettad on kulunud ja tuleb välja vahetada või üle teritada.

Toestage sisselõikamisprotseduuri ja töö kulg kasutusjuhendis kirjeldatud viisil.

TÖÖKOHT

Tuleb tagada ehitusplatsitöökohtade üldistest nõuetest kinnipidamine (piisav valgustus, allakukkumiskohtade vältimine jne). Järgige ohutusjuhiseid.

Hoolitsege hea ventilatsiooni eest.

Tagage vaba tööväli. Pikemate soonte korral peab olema tolmuseparaator vabalt järelejuhitav või tuleb seda õigeaegselt järele juhtida.

TÖÖ ORGANISEERIMINE

Kasutage kuulmekaitset, silmakaitset, hingamiskaitsemaski ja vaj. korral kindaid. Kasutage hingamiskaitsemaskina vähemalt klassi FFP2 osakesi filtreerivat poolmaski.

Kasutage töökoha puhastamiseks tolmuseparaatorit. Ärge keerutage settinud tolmu pühkimisega üles.

TRANSPORTIMINE, ÜMBERKÄIMINE, LADUSTAMINE

Teemantlöikekettaid tuleb hoolikalt käsitseda ja transportida. Kasutage võimaluse korral originaalpakendit või muud sobivat pakendit.

Kettaid tuleb ladustada kuivas keskkonnas nii, et nad pole mehaanilistele kahjustustele allutatud.

Kaitske löikekettaid löökide, tõugete ja kahjulike keskkonnamõjude eest.

VÕRKU ÜHENDAMINE

Ühendage ainult ühefaasilise vahelduvvooluga ning ainult andmesildil toodud võrgupingega. Ühendada on võimalik ka kaitsekontaktita pistikupesadesse, kuna nende konstruktsioon vastab kaitseklassile II.

KASUTAMINE VASTAVALT OTSTARBELE

Müüriosoonte freesiga freesitakse kahe paralleelselt jooksva teemantlöikekettaga iga liiki müüritistes juhtme- ja kaablipilusid (müüriooni).

Antud seadet tohib kasutada ainult vastavalt äranäidatud otstarbele.

Välitingimustes asuvad pistikupesad peavad olema varustatud rikkevoolukaitselülititega (FI, RCD, PRCD). Seda nõutakse Teie elektriseadme installaerimiseeskirjas. Palun pidage sellest meie seadme kasutamisel kinni.

EÜ VASTAVUSAVALDUS

Me deklareerime ainuisikuliselt vastutades, et lõigus "Tehnilised andmed" kirjeldatud toode vastab direktiivide 2011/65/EU (RoHS), 2014/30/EU, 2006/42/EÜ kõigile olulisele tähtsusega eeskirjadele ning järgmistele harmoniseeritud normatiivsetele dokumentidele:

EN 60745-1:2009 + A11:2010
EN 60745-2-22:2011 + A11:2013
EN 55014-1:2017
EN 55014-2:2015
EN 61000-3-2:2014
EN 61000-3-3:2013
EN 50581:2012

Winnenden, 2018-02-26

Alexander Krug
Managing Director



On volitatud koostama tehnilist dokumentatsiooni.

Techtronic Industries GmbH
Max-Eyth-Straße 10
71364 Winnenden
Germany

TÖÖJUHISED

Elektronika häälestab koormuse tõusu puhul pöörlemiskiiruse.

Pikema ülekoormuse korral lülitub elektronika vähendatud pöörlemiskiirusele. Masin töötab mootori mähise jahutamiseks Milwaukeeelasele edasi. Pärast välja ja uuesti sisse lülitamist saab masinaga nimikoormusvahemikus edasi töötada.

Äärmuslike väliste elektromagnetiliste häirete mõjul võib üksikjuhul esineda ajutisi pöörlemiskiiruse kõikumisi.

Teritage nürisid teemantlöikekettaid (äratuntav rohkete sädemete järgi töötamise ajal), tehnes mitu löiget silikaatkivisse või spetsiaalsesse terituskivisse.

Löikekettad lähevad töötades väga kuumaks; ärge neid enne mahajahtumist puudutage.

HOOLDUS

Hoidke masina õhutuspilud alati puhtad.

Kasutage ainult Milwaukeee tarvikuid ja tagavaraosi. Detailid, mille väljavahetamist pole kirjeldatud, laske välja vahetada Milwaukeee klienditeeninduspunktist (vaadake brošüüri garantii / klienditeeninduste aadressid).

Vajadusel saab nõuda seadme plahvatusjoonise võimsussildil oleva masinatüübi ja kuuekohalise numbri alusel klienditeeninduspunktist või vahetult firmalt Techtronic Industries GmbH, Max-Eyth-Straße 10, 71364 Winnenden, Germany.

SÜMBOLID



ETTEVAATUST! TÄHELEPANU! OHUD!



Enne kõiki töid masina kallal tõmmake pistik pistikupesast välja.



Palun lugege enne käikulaskmist kasutamisujuhend hoolikalt läbi.



Masinaga töötades kandke alati kaitseprille.



Kandke kaitseks kõrvaklappe!



Hingamisteede kaitsena kasutage vähemalt ühte FFP2 klassi filtreerivat poolmaski.



Kanda kaitsekindaid!



Tarvikud - ei kuulu tarne komplekti, soovitatav täiendus on saadaval tarvikute programmis.



Elektriseadmeid ei tohi utiliseerida koos majapidamisprügiga. Elektrilised ja elektroonilised seadmed tuleb eraldi kokku koguda ning keskkonnasõbralikuks utiliseerimiseks vastavas käitlusettevõttes ära anda. Küsige kohalikest pädevatest ametitest või edasimüüjalt käitlusjaamade ja kogumispunktide kohta järele.



Kaitseklassi II elektritööriist. Elektritööriist, mille puhul ei sõltu kaitse mitte üksnes baasisolatsioonist, vaid ka täiendavate kaitsemeetmete nagu topeltisolatsiooni või tugevdatud isolatsiooni kohaldamisest. Mehhanism kaitsejuhi ühendamiseks puudub.



CE-märk



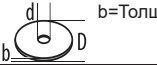
Regulatory Compliance Mark (RCM). Toode vastab kehtivatele eeskirjadele.



Ukraina riiklik vastavusmärk



Euraasia vastavusmärk.

Технические данные Штроборез	WCS 45
Серийный номер изделия	4632 81 03... 3930 04 04... ...000001-999999
Номинальная выходная мощность	1900 W
Номинальное число оборотов	6200 min ⁻¹
D=Макс. диаметр алмазного отрезного диска d=Диаметр отверстия  b=Толщина отрезного круга мин. / макс.	150 mm 22,2 mm 2,4 / 2,6 mm
Глубина резки	0-45 mm
Ширина штробы	17-45 mm
Вес согласно процедуре EPTA 01/2014	6,6 kg
Информация по шумам/вибрации Значения замерялись в соответствии со стандартом EN 60745. Уровень шума прибора, определенный по показателю A, обычно составляет: Уровень звукового давления (Небезопасность K=3dB(A)) Уровень звуковой мощности (Небезопасность K=3dB(A)) Пользуйтесь приспособлениями для защиты слуха. Общие значения вибрации (векторная сумма трех направлений) определены в соответствии с EN 60745. Значение вибрационной эмиссии a _p Небезопасность K=	99 dB(A) 110 dB(A) 6,5 m/s ² 1,5 m/s ²

ВНИМАНИЕ

Указанный в настоящем руководстве уровень вибрации измерен в соответствии с технологией измерения, установленной стандартом EN 60745 и может использоваться для сравнения электроинструментов друг с другом. Он также подходит для предварительной оценки вибрационной нагрузки.

Указанный уровень вибрации представляет основные виды использования электроинструмента. Но если электроинструмент используется для других целей, используемый инструмент отклоняется от указанного или техническое обслуживание было недостаточным, то уровень вибрации может отклоняться от указанного. В этом случае вибрационная нагрузка в течение всего периода работы значительно увеличивается.

Для точной оценки вибрационной нагрузки необходимо также учитывать время, в течение которого прибор отключен или включен, но фактически не используется. В этом случае вибрационная нагрузка в течение всего периода работы может существенно уменьшиться.

Установите дополнительные меры безопасности для защиты пользователя от воздействия вибрации, например: техническое обслуживание электроинструмента и используемого инструмента, поддержание рук в теплом состоянии, организация рабочих процессов.

⚠ ПРЕДУПРЕЖДЕНИЕ! Прочтите все указания по безопасности и инструкции. Упущения, допущенные при не соблюдении указаний и инструкций по технике безопасности, могут стать причиной электрического поражения, пожара и тяжелых травм. Сохраняйте эти инструкции и указания для будущего использования.

⚠ УКАЗАНИЯ ПО ТЕХНИКЕ БЕЗОПАСНОСТИ ПРИ РАБОТЕ С АБРАЗИВНО-ОТРЕЗНЫМИ СТАНКАМИ

a) Защитный кожух электроинструмента следует безопасно надеть и таким образом отрегулировать, чтобы обеспечить максимальную безопасность, т.е. так, чтобы со стороны пользователя открытой осталась минимально возможная часть шлифовального круга. Вам и находящимся поблизости людям необходимо держаться за пределами плоскости вращающегося шлифовального круга. Защитный кожух служит для защиты пользователя от обломков и случайного контакта со шлифовальным кругом.

b) Используйте для вашего электроинструмента исключительно закрепленные усиленные или алмазные отрезные диски. Возможность закрепления принадлежности на вашем электроинструменте не гарантирует безопасность использования.

c) Допустимое число оборотов используемого инструмента должно быть как минимум таким же, как и максимальное число оборотов, указанное на электроинструменте. Комплектующие, которые вращаются быстрее допустимой скорости, могут сломаться и отлететь.

d) Абразивные инструменты допускаются применять только для рекомендуемых работ. Например: никогда не шлифуйте боковой поверхностью отрезного круга. Отрезные круги предназначены для съема материала кромкой. Боковые силы на этот абразивный инструмент могут сломать его.

e) Всегда используйте для выбранного Вами отрезного диска неповрежденные зажимные фланцы соответствующего размера. Правильно выбранные фланцы поддерживают отрезной диск и, таким образом, уменьшают опасность его разрушения.

f) Не применяйте изношенные шлифовальные круги больших электроинструментов. Шлифовальные круги для больших электроинструментов изготовлены не для высоких скоростей вращения маленьких электроинструментов и их может разорвать.

g) Внешний диаметр и толщина инструментальной насадки должны соответствовать размеру Вашего электрического инструмента. Неправильно

выбранные инструментальные насадки не могут в достаточной мере закрываться или контролироваться.

h) Шлифовальные круги и фланцы должны точно подходить к шлифовальному шпинделю вашего электроинструмента. Используемые инструменты, которые неточно подходят к шлифовальному шпинделю электроинструмента, вращаются неравномерно, очень сильно вибрируют и могут привести к потере контроля.

i) Не используйте поврежденные шлифовальные круги. При падении электроинструмента или шлифовального круга проверьте их на наличие повреждений или используйте неповрежденный шлифовальный круг. Если вы проверили и установили шлифовальный круг, то вам и находящимся поблизости людям необходимо держаться за пределами плоскости вращающегося шлифовального круга и проверить прибор в течение минуты на максимальной скорости вращения. Поврежденные шлифовальные круги разрушаются, как правило, в течение данного контрольного времени.

j) Применяйте средства индивидуальной защиты. В зависимости от выполняемой работы применяйте защитный щиток для лица, защитное средство для глаз или защитные очки. Насколько уместно, применяйте противопылевую респиратор, средства защиты органов слуха, защитные перчатки или специальный фартук, которые защищают Вас от абразивных частиц и частиц материала. Глаза должны быть защищены от летающих в воздухе посторонних тел, которые возникают при выполнении различных работ. Противопылевая респиратор или защитная маска органов дыхания должны задерживать возникающую при работе пыль. Продолжительное воздействие сильного шума может привести к потере слуха.

k) Следите за тем, чтобы иные лица находились на безопасном расстоянии от Вашего рабочего места. Каждый входящий в рабочую зону должен пользоваться средствами защиты. Отлетающие обломки обрабатываемой детали или инструментальных насадок могут нанести травму и за пределами рабочей зоны.

l) Если Вы выполняете работы, при которых режущий инструмент может зацепить скрытую электропроводку или собственный кабель, инструмент следует держать за специально предназначенные для этого изолированные поверхности. Контакт режущего инструмента с токоведущим проводом может ставить под напряжение металлические части прибора, а также приводить к удару электрическим током.

m) Держите шнур подключения питания в стороне от вращающегося рабочего инструмента. Если Вы потеряете контроль над инструментом, то шнур подключения питания может быть перерезан или захвачен вращающейся частью и Ваша кисть или рука может попасть под вращающийся рабочий инструмент.

n) Никогда не кладите электрический инструмент до тех пор, пока инструментальная насадка полностью не остановится. Вращающаяся насадка может коснуться поверхности, на которую Вы кладете электрический инструмент, вследствие чего Вы можете потерять над ним контроль.

o) Выключайте электроинструмент при транспортировании. Ваша одежда может быть случайно захвачена вращающимся рабочим инструментом и последний может нанести Вам травму.

p) Регулярно очищайте вентиляционные прорези Вашего электроинструмента. Вентилятор двигателя затягивает пыль в корпус и большое скопление

металлической пыли может привести к электрической опасности.

q) Не используйте электрический инструмент вблизи горючих материалов. Искры могут привести к возгоранию этих материалов.

r) Не пользуйтесь инструментальными насадками, требующими применения жидких охлаждающих средств. Использование воды или иных жидких охлаждающих средств может привести к поражению электрическим током.

Прочие указания по безопасности при работе с абразивно-отрезными станками

Отдача и соответствующие указания по технике безопасности:

Отдача – это внезапная реакция вследствие заедания или блокирования вращающегося шлифовального круга. Заедание или блокирование приводят к резкому останову используемого вращающегося инструмента. В результате этого неконтролируемый электроинструмент ускоряется против направления вращения используемого инструмента в месте блокирования.

Если шлифовальный круг заедает или блокирует в заготовке, то погруженная в заготовку кромка шлифовального круга может быть зажата и в результате привести к выскакиванию круга из заготовки или к обратному удару. При этом шлифовальный круг движется на оператора или от него, в зависимости от направления вращения круга на месте блокирования. При этом шлифовальный круг может поломаться.

Обратный удар является следствием неправильного использования электроинструмента или ошибки оператора. Он может быть предотвращен описанными ниже мерами предосторожности.

a) Крепко держите электроинструмент и займите Вашим телом и руками положение, в котором Вы можете противодействовать обратным силам. При наличии, всегда применяйте дополнительную рукоятку, чтобы как можно лучше противодействовать обратным силам или реакционным моментам при наборе оборотов. Оператор может подходящими мерами предосторожности противодействовать силам обратного удара и реакционным силам.

b) Ваша рука никогда не должна быть вблизи вращающегося рабочего инструмента. При обратном ударе рабочий инструмент может пойти по Вашей руке.

c) Избегайте пребывания в зоне перед вращающимся отрезным диском и за ним. Отдача побуждает электроинструмент двигаться в направлении, противоположном движению шлифовального круга в месте блокирования.

d) Особенно осторожно работайте на углах, острых кромках и т.д. Предотвращайте отскок рабочего инструмента от заготовки и его заклинивание. Вращающийся рабочий инструмент склонен на углах, острых кромках и при отскоке к заклиниванию. Это вызывает потерю контроля или обратный удар.

e) Не используйте цепное или зубчатое полотно, а также сегментированный алмазный диск с прорезями шириной более 10 мм. Использование таких инструментов часто вызывает отдачу и потерю контроля над электроинструментом.

f) Предотвращайте блокирование отрезного круга и избыточное усилие прижатия. Не выполняйте слишком глубоких резков. Перегрузка отрезного круга повышает его нагрузку и склонность к перекашиванию или блокированию и этим возможность обратного удара или поломки абразивного инструмента.

g) При заклинивании отрезного круга и при перерыве в работе выключайте электроинструмент и держите его спокойно, неподвижно до остановки круга. Никогда не пытайтесь вынуть еще вращающийся отрезной круг из реза, так как это может привести к обратному удару. Установите и устраните причину заклинивания.

h) Не включайте повторно электроинструмент пока абразивный инструмент находится в заготовке. Дайте отрезному кругу развить полное число оборотов, перед тем как Вы осторожно продолжите резание. В противном случае круг может заесть, он может выскочить из детали и привести к обратному удару.

i) Плиты или большие заготовки должны надежно лежать на опоре, чтобы снизить опасность обратного удара при заклинивании отрезного круга. Большие заготовки могут прогибаться под собственным весом. Заготовка должна лежать на опорах с обеих сторон, как вблизи реза, так и по краям.

j) Будьте особенно осторожны при выполнении резов с «погружением» в стены или на других не просматриваемых участках. Погружающийся отрезной круг может при резании газопровода или водопровода, электрических проводов или других объектов привести к обратному удару.

РАБОЧАЯ СИСТЕМА "ШТРОБОРЕЗ - ПЫЛЕУЛОВИТЕЛЬ"

Использовать штроборезы только в сочетании с пылеуловителями класса чистоты М. Другие сочетания устройств могут привести к некачественному сбору и фильтрации пыли.

Соблюдать указания по эксплуатации, техобслуживанию и очистке пылеуловителя с фильтрами. При наполнении пылесборников немедленно опорожнять их.

Использовать только предусмотренный всасывающий шланг. Не выполнять манипуляций со всасывающим шлангом. При попадании обломков камней во всасывающий шланг прервать работу и немедленно очистить его. Избегать перегибов всасывающего шланга.

Регулярно чистить и заменять фильтры; не удалять фильтры/компоненты фильтров.

Выбирать штроборез и отрезные диски в соответствии с поверхностью. В зависимости от поверхности производители предлагают различные отрезные диски.

Использовать только алмазные отрезные диски. Сегментные алмазные диски должны иметь только отрицательные углы резания и шлицы между сегментами размером не более 10 мм.

Своевременно заменять или подтачивать отрезные диски. При ухудшении режущей способности проверить, не изношены ли отрезные диски и не требуется ли заменить или подточить их.

Выполнять процесс погружения и рабочий процесс, как описано в инструкции по эксплуатации.

РАБОЧЕЕ МЕСТО

Необходимо обеспечить соблюдение общих требований к рабочим местам на строительных площадках (достаточное освещение, не находиться в местах падения и пр.). Соблюдать указания по технике безопасности.

Обеспечить хорошее проветривание.

Обеспечить, чтобы рабочая зона была свободной. При выполнении длинных пазов должно обеспечиваться свободное и/или своевременное сопровождение пылеуловителем.

ОРГАНИЗАЦИЯ РАБОТЫ

Использовать защитные приспособления для органов слуха, зрения и органов дыхания и при необходимости защитные перчатки. Для защиты органов дыхания использовать по меньшей мере противопылевой респиратор-полумаску класса FFP2.

Использовать пылеуловитель для очистки рабочего места. Не поднимайте осевшую пыль путем подметания.

ТРАНСПОРТИРОВКА, ОБРАЩЕНИЕ, ХРАНЕНИЕ

Алмазные отрезные диски требуют бережного обращения и транспортировки. По возможности использовать оригинальную упаковку или другую подходящую упаковку.

Необходимо хранить диски в сухом месте таким образом, чтобы они не были подвержены механическим повреждениям.

Обеспечить защиту отрезных дисков от ударов, толчков и вредных воздействий окружающей среды.

ПОДКЛЮЧЕНИЕ К ЭЛЕКТРОСЕТИ

Подсоединять только к однофазной сети переменного тока с напряжением, соответствующим указанному на инструменте. Электроинструмент имеет второй класс защиты, что позволяет подключать его к розеткам электропитания без заземляющего вывода.

ИСПОЛЬЗОВАНИЕ

Штроборез используется для нарезки штроб для кабеля и труб в любых видах кирпичной кладки. Имеет два режущих алмазных диска, вращающихся параллельно друг другу.

Не пользуйтесь данным инструментом способом, отличным от указанного для нормального применения.

Электроприборы, используемые во многих различных местах, в том числе на открытом воздухе, должны подключаться через устройство, предотвращающее резкое повышение напряжения (FI, RCD, PRCD).

ДЕКЛАРАЦИЯ О СООТВЕТСТВИИ СТАНДАРТАМ ЕС

Мы заявляем под собственную ответственность, что изделие, описанное в разделе "Технические характеристики", соответствует всем важным предписаниям Директивы 2011/65/EU (Директива об ограничении применения опасных веществ в электрических и электронных приборах), 2014/30/EU, 2006/42/ЕС и приведенным далее гармонизированным нормативным документам:

EN 60745-1:2009 + A11:2010
EN 60745-2-22:2011 + A11:2013
EN 55014-1:2017
EN 55014-2:2015
EN 61000-3-2:2014
EN 61000-3-3:2013
EN 50581:2012

Winnenden, 2018-02-26

Alexander Krug
Managing Director



Уполномочен на составление технической документации.

Techtronic Industries GmbH
Max-Eyth-Straße 10
71364 Winnenden
Germany

СОВЕТЫ ПО ЭКСПЛУАТАЦИИ

При автоматическом отключении инструмента по перегрузке дайте ему охладиться, затем нажмите кнопку разблокировки и включите инструмент повторно. При частом срабатывании защиты по перегрузке, попробуйте работать с меньшим давлением на инструмент или установите меньшую глубину штробления.

Безступенчатое регулирование ширины штрыбы дает возможность (при правильном выборе ширины) монтировать трубы и т. д. с точностью, позволяющей отказаться от дополнительного их крепления в штрыбе.

Затачивая затупленную алмазную режущую кромку диска (диагностируется по появлению искр в процессе работы) следует проделав несколько надрезов в известковом песчанике или специальном затачивающем камне.

Во время работы пыльные диски сильно нагреваются. Не касайтесь их пока они не остынут.

ОБСЛУЖИВАНИЕ

Всегда держите охлаждающие отверстия чистыми.

Пользуйтесь аксессуарами и запасными частями только фирмы Milwaukee. В случае возникновения необходимости в замене, которая не была описана, пожалуйста, обращайтесь на один из сервисных центров (см. список наших гарантийных/сервисных организаций).

При необходимости, у сервисной службы или непосредственно у фирмы Techtronic Industries GmbH, Max-Eyth-Straße 10, 71364, Винненден, Германия, можно запросить сборочный чертеж устройства, сообщив его тип и шестизначный номер, указанный на фирменной табличке.

СИМВОЛЫ



ВНИМАНИЕ! ПРЕДУПРЕЖДЕНИЕ!
ОПАСНОСТЬ!



Перед выполнением каких-либо работ по обслуживанию инструмента всегда вынимайте вилку из розетки.



Пожалуйста, внимательно прочтите инструкцию по использованию перед началом любых операций с инструментом.



При работе с инструментом всегда надевайте защитные очки.



Пользуйтесь приспособлениями для защиты слуха.



В качестве защиты органов дыхания применять, по меньшей мере, фильтрующую частицу полумаску класса FFP2.



Надевать защитные перчатки!



Принадлежности - В стандартную комплектацию не входит, поставляется в качестве дополнительной принадлежности.

Электрические устройства нельзя утилизировать вместе с бытовым мусором. Электрические и электронные устройства следует собирать отдельно и сдавать в специализированную утилизирующую компанию для утилизации в соответствии с нормами охраны окружающей среды. Сведения о центрах вторичной переработки и пунктах сбора можно получить в местных органах власти или у вашего специализированного дилера.



Электроинструмент с классом защиты II. Электроинструмент, в котором защита от электрического удара зависит не только от основной изоляции, но и от того, что принимаются дополнительные защитные меры, такие как двойная изоляция или усиленная изоляция. Нет устройства для подключения защитного провода.



Знак CE



Regulatory Compliance Mark (RCM).
Продукт соответствует требованиям действующих предписаний.



Национальный знак відповідності України



Сертификата о соответствии
No. RU C-DE.ME77.B.01291
Срок действия сертификата о соответствии по 23.03.2019
ООО Центр по сертификации стандартизации и систем качества электро-машиностроительной продукции 141400, РФ, Московская область, г. Химки, Ул. Ленинградская, 29

Транспортировка:

Категорически не допускается падение и любые механические воздействия на упаковку при транспортировке. При разгрузке/погрузке не допускается использование любого вида техники, работающей по принципу зажима упаковки.

Хранение:

Необходимо хранить в сухом месте. Необходимо хранить вдали от источников повышенных температур и воздействия солнечных лучей. При хранении необходимо избегать резкого перепада температур. Хранение без упаковки не допускается.

Срок службы изделия:

Срок службы изделия составляет 5 лет. Не рекомендуется к эксплуатации по истечении 5 лет хранения с даты изготовления без предварительной проверки.

Дата изготовления (код даты) отштампован на поверхности корпуса изделия.

Пример:

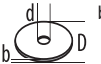
A2015, где 2015 - год изготовления

A - месяц изготовления

Определить месяц изготовления можно согласно приведенной ниже таблице

A - Январь	G - Июль
B - Февраль	H - Август
C - Март	J - Сентябрь
D - Апрель	K - Октябрь
E - Май	L - Ноябрь
F - Июнь	M - Декабрь

Техтроник Индастриз ГмБХ
Германия, 71364, Винненден,
ул. Макс-Ай-Штрассе, 10
Сделано в КНР

Технически данни	WCS 45
Фреза за канали	
Производствен номер	4632 81 03... 3930 04 04... ...000001-999999
Номинална консумирана мощност	1900 W
Номинална скорост на въртене	6200 min ⁻¹
D=Диамантна режеща шайба-Ø макс. d=отвор с Ø	150 mm 22,2 mm
 b=Дебелина на режещия диск мин. / макс.	2,4 / 2,6 mm
Дълбочина на рязане:	0-45 mm
Ширина на рязане	17-45 mm
Тегло съгласно процедурата EPTA 01/2014	6,6 kg
Информация за шума/вибрациите Измерените стойности са получени съобразно EN 60 745. Оцененото с A ниво на шума на уреда е съответно: Равнище на звуковото налягане (Несигурност K=3dB(A)) Равнище на мощността на звука (Несигурност K=3dB(A)) Да се носи предпазно средство за слуха! Общите стойности на вибрациите (векторна сума на три посоки) са определени в съответствие с EN 60745. Стойност на емисии на вибрациите a _n Несигурност K=	99 dB(A) 110 dB(A) 6,5 m/s ² 1,5 m/s ²

ВНИМАНИЕ

Посоченото в тези инструкции ниво на вибрациите е измерено в съответствие със стандартизиран в EN 60745 измервателен метод и може да се използва за сравнение на електрически инструменти помежду им. Подходящ е и за временна оценка на вибрационното натоварване.

Посоченото ниво на вибрациите представя основните приложения на електрическия инструмент. Ако обаче електрическият инструмент се използва с друго предназначение, с различни сменяеми инструменти или при недостатъчна техническа поддръжка, нивото на вибрациите може да е различно. Това чувствително може да увеличи вибрационното натоварване по време на целия работен цикъл.

За точната оценка на вибрационното натоварване трябва да се вземат предвид и периодите от време, в които уредът е изключен или работи, но в действителност не се използва. Това чувствително може да намали вибрационното натоварване по време на целия работен цикъл.

Определете допълнителни мерки по техника на безопасност в защита на обслужващия работник от въздействието на вибрациите като например: техническа поддръжка на електрическия инструмент и сменяемите инструменти, поддръжане на ръцете топли, организация на работния цикъл.

⚠ ПРЕДУПРЕЖДЕНИЕ! Прочетете всички указания и напътствия за безопасност.

Упущения, допускени при облюденни указания и инструкции по технике безопасност, могат да станат причината електрическото поражение, пожара и тежестки травми.
Сохраняйте эти инструкции и указания для будущего использования.

⚠ ИНСТРУКЦИИ ЗА БЕЗОПАСНОСТ ЗА АБРАЗИВНИ МАШИНИ ЗА РЯЗАНЕ

a) Предпазният капак принадлежаш към електроинструмента трябва да бъде монтиран сигурно и да бъде регулиран така, че да бъде постигната максимална безопасност, т.е. възможно най-малка част от абразивния диск да се показва открито към оператора. Вие и намиращи се наоколо лица стойте извън обсега на въртящия се шлифовъчен диск. Предпазният капак служи за защита на оператора от фрагменти и случаен контакт с абразивния диск.

b) Използвайте само слепени и подсилени или диамантени режещи дискове с Вашия електроинструмент. Само защото аксесоарът може да бъде прикачен към Вашия електроинструмент, не означава, че употребата му е безопасна.

c) Допустимите обороти на работния инструмент трябва да бъдат най-малко толкова високи, колкото посочените на електроинструмента

максимални обороти. Аксесоари, които се въртят по-бързо от допустимото, могат да се счупят и да се разхвърчат.

d) Допуска се употребата на абразивните дискове само за целите, за които те са предвидени. Напр.: никога не шлифвайте със страничната повърхност на режещ диск. Режещите дискове са предназначени за отнемане на материал чрез ръба им. Странично прилагане на сила може да ги счупи.

e) Винаги използвайте не повредени обтягащи фланци с правилен размер за избрания от Вас режещ диск. Подходящият фланец подпират режещия диск и така намаляват опасността от счупването му.

f) Не използвайте износени шлифовъчни дискове от по-големи електроинструменти. Дисковете за по-големи електроинструменти не са предназначени за по-високите обороти, с които се въртят по-малки електроинструменти, и могат да се счупят.

g) Външният диаметър и дебелината на работния инструмент трябва да отговарят на посочените размери на Вашия електроинструмент. Работни инструментите с неподходящи размери не могат да бъдат покрити достатъчно или да бъдат контролирани.

h) Шлифовъчните дискове и фланците трябва да пасват точно на шпиндела на Вашия електроинструмент. Работни инструменти, които не пасват точно на шпиндела на електроинструмента,

се въртят неравномерно, вибрират силно и могат да доведат до загуба на контрол.

i) Не използвайте повредени шлифовъчни дискове. Преди всяка употреба преглеждайте шлифовъчните дискове за отломки и пукнатини. Ако изпуснете електроинструмента или шлифовъчния диск, проверете, дали не са повредени или използвайте неповреден шлифовъчен диск. След като проверите шлифовъчния диск и го поставите в електроинструмента, Вие и намиращи се наоколо лица стойте извън обсега на въртящия се шлифовъчен диск и оставете уреда да работи една минута на максимални обороти. Повредени шлифовъчни дискове обикновено се счупват по време на този тест.

j) Носете лични предпазни средства. Според необходимостта използвайте цяла лицева маска, маска за очи или защитни очила. Ако е необходимо носете маска срещу прах, защита на слуха, предпазни ръкавици или специална престилка, която предпазва от малки частици от диска или от материала. Очите трябва да се защитени от чужди тела, които могат да отлитнат по различни причини. Противопрашната или дихателната маска трябва да могат да филтрират праха, който се образува при работа. Ако сте изложени дълго време на силен шум, това може да причини загуба на слуха Ви.

k) Внимавайте останалите лица да са на безопасно разстояние от Вашата работна зона. Всеки, който влиза в работната зона, трябва да носи лични предпазни средства. Отчупени парченца от обработваната част или от счупени работни инструменти могат да отлетят и да причинят наранявания дори и на лица извън непосредствената работна зона.

l) Дръжте електроинструмента за изолираните ръкохватки, когато извършвате работи, при които работният инструмент може да засегне скрити електроинсталационни кабели или собствения си кабел. Контактът му с тоководош проводник може да предаде напрежението върху металните му части и да доведе до токов удар.

m) Дръжте захранващия кабел на безопасно разстояние от въртящите се работни инструменти. Ако изгубите контрол над електроинструмента, кабелът може да бъде прерязан или увлечен от работния инструмент и ръката Ви да попадне във въртящия се работен инструмент.

n) Никога не оставяйте електроинструмента, докато работният инструмент не е напълно спрял. Въртящият се работен инструмент може да влезе в контакт с повърхността, върху която сте оставили електроинструмента, поради което може да загубите контрола върху него.

o) Докато пренасяте електроинструмента, не го оставяйте включен. При неволно допир дрехите или косите Ви могат да бъдат увлечени от работния инструмент, в резултат на което работният инструмент може да се вреже в тялото Ви.

p) Почиствайте редовно шлицовете за проветрение на електроинструмента. Духалката на мотора засмуква прах в корпуса на електроинструмента, а насъбирането на метален прах може да причини електрически опасности.

q) Не работете с електроинструмента в близост до запалими материали. Искрите могат да възпламенят тези материали.

r) Не използвайте работни инструменти, които трябва да се охлаждат с течности. Употребата на вода или на други течни охлаждащи средства може да доведе до токов удар.

Допълнителни инструкции за безопасност при извършване на абразивно рязане

Откат на машината и съответни указания за безопасност

Откат е внезапната реакция в резултат на засядащ или блокиран въртящ се шлифовъчен диск. Засядащ или блокиране води до рязко спиране на въртящия се работен инструмент. Така електроинструмента бива неконтролируемо ускорен в посока обратна на посоката на въртене на работния инструмент на мястото на блокиране.

Ако напр. шлифовъчният диск се заклинни или блокира в обработваната част, ръбът на диска, който влиза в обработваната част, може да се заплете и по този начин шлифовъчният диск може да се счупи или да бъде предизвикан откат. Тогава шлифовъчният диск се отправя към или се отдалечава от обслужващото лице, в зависимост от посоката на въртене на диска на мястото на блокиране. В такъв случай шлифовъчните дискове могат също да се счупят.

Откатът е резултат от неправилна или погрешна употреба на електроинструмента. Той може да бъде предотвратен чрез подходящи мерки за безопасност, както е описано в следното.

a) Хванете здраво машината и дръжте тялото и ръцете си в такова положение, в което да можете да поемете силата на отката. Винаги използвайте допълнителната ръкохватка, ако има такава, за да имате възможно най-голям контрол върху силата на отката или върху реактивния въртящ момент. Чрез подходящи мерки за безопасност обслужващият персонал може да овладее силите на отката и на реакция.

b) Никога не приближавайте ръцете си до въртящ се работни инструменти. При откат въртящия се работен инструмент може да се окаже върху ръцете Ви.

c) Избягвайте зоната пред и зад въртящия се диск за рязане. Откатът на мястото на блокиране изласква електроинструмента в посока обратна на посоката на движение на шлифовъчния диск.

d) Работете особено предпазливо в зоните на ъгли, остри ръбове и др. п. Избягвайте отблъскването на работните инструменти от обработваната част и заклиняването им в нея. При обработване на ъгли или остри ръбове или при рязко отблъскване на въртящия се работен инструмент съществува повишена опасност от заклиняване. Това предизвиква загуба на контрол над машината или откат.

e) Не използвайте верижни триони или назъбени циркулярни дискове както и сегментирани диамантени дискове с прорези по-широки от 10 мм. Такива работни инструменти водят често до откат или загуба на контрол над електроинструмента.

f) Не допускайте блокиране или твърде силно притискане на режещия диск. Не правете прекалено дълбоки разрези. Претоварването на режещия диск повишава силите, които действат върху него, а с това и опасността от заклиняване или блокиране, което от своя страна може да доведе до откат или счупване на абразивния диск.

g) Ако режещият диск се заклинни или когато прекъсват работата, изключвайте електроинструмента и го дръжте спокойно, докато дискът окончателно спре да се върти. Никога не опитвайте да извадите въртящия се диск от разреза, в противен случай може да възникне откат. Открийте и отстранете причината за заклиняването.

h) Никога не включвайте електроинструмента отново, докато той се намира в обработваната част. Нека режещият диск достигне първо максималните си обороти, преди внимателно да

продължете с рязането. В противен случай режещият диск може да заседне, да изскочи от обработваната част или да предизвика откат.

г) Когато режете плоскости или по-големи детайли, ги опрете, за да избегнете риска от откат при закълеване на режещия диск. Големите детайли могат да се огънат от собствената си тежест. Детайлът трябва да е подпрян на две места, а именно в близост до разреза и в края му.

д) Бъдете особено внимателни при рязане на "джобове" в стени или в други зони, където няма видимост. При прерязване на газопроводи, водопроводи, електропроводи или други обекти, режещият диск може да причини откат.

РАБОТНА СИСТЕМА ОТ ФРЕЗА ЗА КАНАЛИ И ПРАХОУЛОВИТЕЛ

Използвайте фрезата за канали само с прахоуловител от клас М. Други комбинации могат да доведат до влошаване на улавянето и отделянето на прах.

Спазвайте инструкциите за експлоатация, поддръжка и почистване на прахоуловителя включително и на филтрите. Изпразнете незабавно контейнера за прах, когато той се напълни.

Използвайте само определения смукателен маркуч. Не модифицирайте смукателния маркуч. Ако парчета от камък попаднат в смукателния маркуч, прекратете работата и почистете незабавно смукателния маркуч. Избягвайте усукване на смукателния маркуч.

Почиствайте и сменяйте филтрите редовно. Не премахвайте филтрите или филтърните компоненти.

Изберете фрези за канали и режещи дискове, съответстващи на повърхността. Производителите предлагат различни режещи дискове в зависимост от повърхността.

Използвайте само режещи дискове с диамантено покритие. Сегментирани диамантени дискове трябва да са с отрицателен ъгъл на рязане и с максимален прорез между сегментите от 10 мм.

Заменяйте или заточвайте дисковете за рязане навреме. При намаляване на производителността на рязане проверете дали режещите дискове са износени и трябва да бъдат заменени или заточени.

Извършете операцията на връзване и работния процес, както са описани в инструкциите за експлоатация.

РАБОТНО МЯСТО

Трябва да се гарантира спазването на общите изисквания за работни места по строителни обекти (подходящо осветление, избягване на опасности от падане и др.) Инструкциите за безопасност трябва да бъдат спазвани.

Да се осигури добра вентилация.

Осигурете свободно поле на работа. За по-дълги канали прахоуловителят трябва да може да се движи свободно след фрезата и/или да бъде движен непосредствено след нея.

ОРГАНИЗАЦИЯ НА РАБОТА

Използвайте защита на слуха, предпазни очила, защита на дихателните пътища и, при необходимост, ръкавици. Използвайте поне една полумаска от клас FFP2, която филтрира частици, за защита на дихателните пътища.

Използвайте прахоуловител за почистване на работното място. Не раздухвайте отложен прах чрез метене.

ТРАНСПОРТ, БОРАВЕНЕ, СЪХРАНЕНИЕ

Бъдете внимателни при боравене с диамантени дискове за рязане и при транспортирането им. Ако е възможно, използвайте оригиналната или друга подходяща опаковка.

Дисковете трябва да бъдат съхранявани на сухо място така, че да не са подложени на механично увреждане.

Предпазвайте дисковете за рязане от удари и вредни влияния на околната среда.

СВЪРЗВАНЕ КЪМ МРЕЖАТА

Да се свързва само към еднофазен променлив ток и само към мрежово напрежение, посочено върху заводската табелка. Възможно е и свързване към контакт, който не е от тип шуко, понеже конструкцията е от защитен клас II.

ИЗПОЛЗВАНЕ ПО ПРЕДНАЗНАЧЕНИЕ

Фрезата за изкопаване на канали фрезова с два въртящи се успоредно диамантени диска прорези за проводници и кабели (канали) във всякакви видове стени.

Този уред може да се използва по предназначение само както е посочено.

Контактите във външните участъци трябва да бъдат оборудвани със защитни прекъсвачи за утечен ток (FI, RCD, PRCD). Това изисква предписанието за инсталиране за електрическата инсталация. Моля спазвайте това при използване на Вашия уред.

СЕ - ДЕКЛАРАЦИЯ ЗА СЪОТВЕТСТВИЕ

Заявяваме под собствена отговорност, че описаният в "Технически данни" продукт съответства на всички важни разпоредби на директива 2011/65/EU (RoHS), 2014/30/EU, 2006/42/EU, както и на всички следващи нормативни документи във тази връзка.

EN 60745-1:2009 + A11:2010
EN 60745-2-22:2011 + A11:2013
EN 55014-1:2017
EN 55014-2:2015
EN 61000-3-2:2014
EN 61000-3-3:2013
EN 50581:2012

Winnenden, 2018-02-26



Alexander Krug
Managing Director



Упълномощен за съставяне на техническата документация

Techtronic Industries GmbH
Max-Eyth-Straße 10
71364 Winnenden
Germany

УКАЗАНИЯ ЗА РАБОТАТА

При увеличаване на натоварването електрониката регулира честотата на въртене.

При по-продължително претоварване електрониката превключва на по-ниска честота на въртене. Машината продължава да се върти бавно за охлаждане на намотката на двигателя. След изключване и повторно включване работата с машината може да продължи в диапазона на номинално натоварване.

При въздействие на екстремни външни електромагнитни смущения в отделни случаи могат да възникнат временни колебания на честотата на въртене.

Затъпените диамантени отрезни дискове (това личи по силното искрене по време на работа) да се заточат отново с неколккратно връзване в силикатна тухла или в специален шмиргел.

При работа отрезните абразивни дискове много се нагорещяват; не ги докосвайте, преди да се охладят.

ПОДДРЪЖКА

Вентилационните шлицы на машината да се поддържат винаги чисти.

Да се използват само аксесоари на Milwaukee резервни части на. Елементи, чията подмяна не е описана, да се дадат за подмяна в сервис на Milwaukee (вижте брошурата Гаранция и адреси на сервиси).

При необходимост можете да поискате схема на елементите на уреда при посочване на обозначение на машината и шестцифрения номер на табелката за технически данни от Вашия сервис или директно на Techtronic Industries GmbH, Max-Eyth-Straße 10, 71364 Winnenden, Германия.

СИМВОЛИ



ВНИМАНИЕ! ПРЕДУПРЕЖДЕНИЕ!
ОПАСНОСТ



Преди каквито и да е работи по машината извадете щепсела от контакта.



Преди пускане на уреда в действие моля прочетете внимателно инструкцията за използване.



При работа с машината винаги носете предпазни очила.



Да се носи предпазно средство за слуха!



Като дихателно предпазно средство да се използва поне филтрираща частички полумаска от клас FFP2.



Да се носят предпазни ръкавици!



Аксесоари - Не се съдържат в обема на доставката, препоръчвано допълнение от програмата за аксесоари.



Електрическите уреди не трябва да се изхвърлят заедно с битовите отпадъци. Електрическото и електронното оборудване трябва да се събират отделно и да се предават на службите за рециклиране на отпадъците според изискванията за опазване на околната среда. Информирайте се при местните служби или при местните специализирани търговци относно местата за събиране и центровете за рециклиране на отпадъци.



Електроинструмент от защитен клас II. Електроинструмент, при който защитата от електрически удар зависи не само от основната изолация, а и от обстоятелството, че се използват допълнителни защитни мерки като двойна изолация или усилена изолация. Няма приспособление за присъединяване на защитен проводник.



СЕ-знак



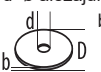
Regulatory Compliance Mark (RCM). Продуктът отговаря на приложимите нормативни изисквания.



Национален знак за съответствие - Украйна



EurAsian знак за съответствие.

Date tehnice	WCS 45
Mașină de canelat în zidărie	
Număr producție	4632 81 03... 3930 04 04... ...000001-999999
Putere nominală de ieșire	1900 W
Turație nominală	6200 min ⁻¹
D=ø max. disc de diamant d=ø alezajului	150 mm 22,2 mm
 b=Grosimea discului de tăiere min. / max.	2,4 / 2,6 mm
Adâncime de tăiere	0-45 mm
Lațime de tăiere	17-45 mm
Greutatea conform „EPTA procedure 01/2014”	6,6 kg
Informație privind zgomotul/vibrațiile Valori măsurate determinate conform EN 60 745. Nivelul de zgomot evaluat cu A al aparatului este tipic de: Nivelul presiunii sonore (Nesiguranță K=3dB(A)) Nivelul sunetului (Nesiguranță K=3dB(A))	99 dB(A) 110 dB(A)
Purtați căști de protecție Valorile totale de oscilație (suma vectorială pe trei direcții determinate conform normei EN 60745). Valoarea emisei de oscilații a _n Nesiguranță K=	6,5 m/s ² 1,5 m/s ²

AVERTISMENT

Gradul de oscilație indicat în prezentele instrucțiuni a fost măsurat în conformitate cu o procedură de măsurare normată prin norma EN 60745 și poate fi folosit pentru a compara unele electrice între ele. El se pretează și pentru o evaluare provizorie a solicitării la oscilații.

Gradul de oscilație indicat reprezintă aplicațiile principale ale uneltelor electrice. În cazul în care însă uneltele electrice au fost folosite pentru alte aplicații, ori au fost folosite unelte de muncă diferite ori acestea nu au fost supuse unei suficiente inspecții de întreținere, gradul de oscilație poate fi diferit. Acest fapt poate duce la o creștere netă a solicitărilor la oscilații dealungul întregii perioade de lucru.

În scopul unei evaluări exacte a solicitării la oscilații, urmează să fie luate în considerație și perioadele de timp în care aparatul a fost oprit ori funcționează dar, în realitate, el nu este folosit în mod practic. Acest fapt poate duce la o reducere netă a solicitărilor la oscilații dealungul întregii perioade de lucru.

Stabiliți măsuri de siguranță suplimentare în scopul protecției utilizatorului de efectele oscilațiilor, de exemplu: inspecție de întreținere a uneltelor electrice și a celor de muncă, păstrarea caldă a mâinilor, organizarea proceselor de muncă.

AVERTIZARE! Citiți toate indicațiile de siguranță și toate instrucțiunile. Nerespectarea indicațiilor de avertizare și a instrucțiunilor poate provoca electrocutare, incendii și/sau răniri grave.
Păstrați toate indicațiile de avertizare și instrucțiunile în vederea utilizărilor viitoare.

INDICAȚII DE SIGURANȚĂ PENTRU MAȘINA CU DISC ABRAZIV DE RETEZAT METALE

a) Capota de protecție a sculei electrice trebuie să fie montată corect și reglată astfel încât să se poată atinge un grad de siguranță maxim, adică așa ca din disc abraziv să fie descoperită spre operator o porțiune cât mai mică. Dumneavoastră împreună cu persoanele aflate în apropiere poziționați-vă în afara planului în care se rotește discul abraziv. Capota de protecție apără operatorul de eventuale fragmente desprinse din discul abraziv și de contactul întâmplător cu acesta.

b) Pentru scula electrică utilizați exclusiv numai discuri de retezat cu liant întărite sau cu inserție de diamante. Doar prin faptul că puteți fixa discul pe scula electrică nu este încă garantată utilizarea în siguranță.

c) Numărul de rotații admis pentru elementele de montat în aparat, trebuie să fie la fel de mare ca numărul de rotații înscris pe acesta. O rotire mai rapidă decât cea admisă le poate sparge sau așzării din aparat.

d) Corpurile abrazive trebuie folosite numai pentru posibilitățile de utilizare recomandate. De exemplu: nu șlefuiți cu partea laterală a unui disc de tăiere. Discurile de tăiere sunt destinate îndepărtării de material cu

marginea discului. Exercițarea unei forțe laterale asupra acestui corp abraziv poate duce la ruperea sa.

e) Utilizați întotdeauna flanșe pentru aşchii nedeteriorate, de dimensiune corectă pentru discul ales de dumneavoastră. Flanșele adecvate sprijină discul și reduc astfel pericolul ruperii acestuia.

f) Nu întrebuințați discuri de șlefuit uzate provenind de la scule electrice mai mari. Discurile de șlefuit pentru sculele electrice mai mari nu sunt concepute pentru turațiile mai ridicate ale sculelor electrice mai mici și se pot rupe.

g) Diametrul exterior și grosimea accesoriului de lucru utilizat trebuie să corespundă dimensiunilor specificate ale aparatului dumneavoastră. Accesoriile de lucru măsurate greșit nu pot fi acoperite sau controlate suficient de bine.

h) Discurile abrazive și flanșa trebuie să se potrivească exact pe axul sculei electrice. Sculele demontabile montate care nu se potriveșc exact pe axul sculei electrice se vor roti neuniform, vor vibra foarte puternic și se pot solda cu pierderea controlului.

i) Nu utilizați niciun disc abraziv deteriorat. Înainte de fiecare utilizare verificați dacă nu s-au desprins aşchii din discul abraziv și dacă acesta nu este fisurat. Dacă scula electrică sau discul abraziv cad, verificați dacă acestea nu au fost deteriorate sau utilizați un disc abraziv nedeteriorat. După ce ați controlat și montat discul abraziv, atât dumneavoastră și persoanele aflate în preajmă evitați șederea în planul în care se rotește discul abraziv și lăsați aparatul să funcționeze

un minut la viteza maximă. Majoritatea discurilor abrazive deteriorate se vor sparge în acest interval de timp de testare.

j) Purtați echipament personal de protecție. În funcție de utilizare, purtați o protecție completă a feței, protecție pentru ochi sau ochelari de protecție. Dacă este cazul, purtați mască de protecție împotriva prafului, protecție auditivă, mănuși de protecție sau șorț special care să vă ferească de micile aşchii și particule de material. Ochiul trebuie protejat de corpurile străine aflate în zbor, apărute în cursul diferitelor aplicații. Masca de protecție împotriva prafului sau masca de protecție a respirației trebuie să filtreze praful degajat în timpul utilizării. Dacă sunteți expuși timp îndelungat zgomotului puternic, vă puteți pierde auzul.

k) Alte persoane aflate în preajmă trebuie să mențină o distanță de siguranță față de zona de lucru. Oricine intră în perimetrul de lucru trebuie să poarte îmbrăcăminte de protecție. Bucățiile de material desprinse din piesă sau accesoriile de lucru rupte pot fi proiectate prin aer și pot provoca răniri chiar și în afara perimetrului de lucru.

l) Țineți aparatul de mânerle izolate când executați lucrări la scula tăietoare poate nimeri peste conductorii electrici ascunși sau peste cablul propriu. Întrarea în contact a sculei tăietoare cu o linie electrică prin care circulă curent poate pune sub tensiune și componente metalice ale aparatului și să ducă la electrocutare.

m) Țineți cablul de alimentare departe de dispozitivele de lucru care se rotesc. Dacă pierdeți controlul asupra mașinii, cablul de alimentare poate fi tăiat sau prins iar mâna sau brațul dumneavoastră poate nimeri sub dispozitivul de lucru care se rotește.

n) Nu lăsați niciodată aparatul din mână, atât timp cât accesoriul de lucru nu s-a oprit complet. Accesoriul de lucru aflat în rotație poate intra în contact cu suprafața pe care este așezat și astfel puteți pierde controlul asupra aparatului.

o) Nu lăsați scula electrică să funcționeze în timp ce o transportați. În urma unui contact accidental cu dispozitivul de lucru care se rotește, acesta vă poate prinde îmbrăcăminte și chiar pătrunde în corpul dumneavoastră.

p) Curățați regulat fanțele de aerisire ale sculei dumneavoastră electrice. Ventilatorul motorului atrage praf în carcasă iar acumularea puternică de pulberi metalice poate provoca pericole electrice.

q) Nu utilizați aparatul în apropierea materialelor inflamabile. Scântelele pot aprinde aceste materiale.

r) Nu utilizați accesoriul de lucru care necesită agenți de răcire fluizi. Utilizarea apei sau a altor agenți de răcire fluizi poate provoca scurtcircuit.

Alte indicații de siguranță pentru aplicațiile de tăiere abrazivă

Reculul și indicații de siguranță corespunzătoare

Reculul este reacția imediată a discului abraziv agățat sau blocat aflat în mișcare de rotație. Agățarea sau blocarea are ca urmare o oprire bruscă a sculei aplicate aflate în mișcare de rotație. Prin aceasta o sculă electrică scăpată de sub control va fi accelerată în sensul opus celui de rotație al discului abraziv în locul de blocare.

Dacă, de exemplu, un disc de șlefuit se agățat sau se blochează în piesa de lucru, marginea discului de șlefuit care penetrează direct piesa de lucru se poate agăța în aceasta și duce astfel la smulgerea discului de șlefuit sau poate provoca recul. Discul de șlefuit se va deplasa către operator sau în sens opus acestuia, în funcție de direcția de rotație a discului în punctul de blocare. În această situație discurile de șlefuit se pot chiar rupe.

Un recul este consecința utilizării greșite sau defectuoase a sculei electrice. El poate fi împiedicat prin măsuri preventive adecvate, precum cele descrise în continuare.

a) Țineți bine scula electrică și aduceți-vă corpul și brațele într-o poziție în care să puteți controla forțele de recul. Folosiți întotdeauna un mâner suplimentar, în caz că acesta există, pentru a avea un control maxim asupra forțelor de recul sau a momentelor de reacție la turații înalte. Operatorul poate stăpâni forțele de recul și de reacție prin măsuri preventive adecvate.

b) Nu apropiați niciodată mâna de dispozitivele de lucru aflate în mișcare de rotație. În caz de recul dispozitivul de lucru se poate deplasa peste mâna dumneavoastră.

c) Evitați zona din fața sau spatele discului abraziv aflat în rotație. Reculul va deplasa scula electrică în direcția opusă mișcării discului abraziv în locul de blocare.

d) Lucrați extrem de atenți în zona colțurilor, muchiilor ascuțite, etc. Impiedicați ricoșarea dispozitivului de lucru de pe piesa de lucru și blocarea acestuia. Dispozitivul de lucru aflat în mișcare de rotație are tendința să se blocheze în colțuri, pe muchii ascuțite sau când ricoșează în urma izbirii. Aceasta duce la pierderea controlului sau la recul.

e) Nu utilizați niciun disc de tăiere cu lanț sau danturat, și niciun disc segmentat cu diamante care are despăcăturile mai mari de 10 mm. Asemenea scule aplicate cauzează frecvent un recul sau pierderea controlului asupra sculei electrice.

f) Evitați blocarea discului de tăiere sau o apăsare prea puternică. Nu executați tăieri exagerat de adânci. O supraîncărcare a discului de tăiere mărește solicitarea acestuia și tendința sa de a devia, de a se răsuși în piesa de lucru sau de a se bloca, apărând astfel posibilitatea unui recul sau a rupei corpului abraziv.

g) Dacă discul de tăiere se blochează sau dacă întrerupeți lucrul, deconectați scula electrică și nu o mișcați până când discul se oprește complet. Nu încercați niciodată să extrageți discul de tăiere din tăietură, altfel se poate produce un recul. Stabiliți și îndepărtați cauza blocării discului.

h) Nu reporniți niciodată scula electrică cât timp aceasta se mai află încă în piesa de lucru. Lăsați discul de tăiere să atingă turația nominală și numai după aceea continuați să tăiați cu precauție. În caz contrar discul se poate agăța, sări afară din piesa de lucru sau provoca recul.

i) Sprijiniți plăcile sau piesele de lucru mari pentru a diminua riscul reculului cauzat de blocarea discului de tăiere. Piese mari se pot încovoia sub propria greutate. De aceea, piesa de lucru trebuie sprijinită pe ambele părți, atât în apropierea liniei de tăiere cât și pe margine.

j) Fiți extrem de atenți în cazul “tăierii de cavități” în pereți deja existenți sau în alte sectoare fără vizibilitate. La penetrarea în sectorul vizat, discul de tăiere poate cauza recul dacă nimereste în conducte de gaz sau de apă, conductorii electrici sau alte obiecte.

SISTEM DE LUCRU FREZĂ DE CANELARE ÎN ZIDĂRIE & DESPRĂFUITOR

Utilizați freza de canelare în zidărie numai cu desprăfuitoarele pentru clasa de praf M. Alte combinații pot duce la o captare și separare mai proaste ale prafului.

Acordați atenție modului de folosire, de întreținere și curățare ale desprăfuitoarelor, inclusiv filtrele. Dacă s-au umplut colectoarele de praf, golii-le neîntârziat.

Utilizați numai furtunul de aspirație prevăzut. Nu faceți modificări la acest furtun. Dacă în furtunul de aspirație ajung bucățele de piatră, întrerupeți lucrul și curățați imediat furtunul. Evitați îndoirea găuitoare a furtunului de aspirație.

Curățați, respectiv înlocuiți periodic filtrele; nu îndepărtați filtre/componente ale filtrelor.

Selectați freza de canelare în zidărie și discurile de retezat corespunzător substratului. Fabricanții oferă discuri de retezat diferite în funcție de substrat.

Folosiți exclusiv discuri de retezat diamantate. Discurile diamantate segmentate sunt permise numai dacă au unghiul de tăiere negativ și fante nu mai mari de 10 mm între segmente.

Înlocuiți discurile de retezat, respectiv reascuțiți-le la timp. Dacă performanța de tăiere scade, controlați dacă nu s-au uzat discurile de retezat, ele trebuind să fie înlocuite sau reascuțite.

Executați canelurile cufundând și prelucrând așa cum este descris în manualul de utilizare.

LOGUL DE MUNCĂ

Se va asigura respectarea cerințelor generale pentru locurile de muncă pe șantier (iluminare suficientă, evitarea locurilor cu risc de prăbușire etc.) Respectați instrucțiunile privind securitatea.

Aveți grijă ca aerisirea să fie bună.

Asigurați o arie de lucru neobstrucționată. În cazul unor caneluri mai lungi, desprăfuitorul trebuie să poată însoți mișcarea nestingherit, respectiv să poată fi re poziționat la timp.

ORGANIZAREA MUNCII

Folosiți elemente de protecție auditivă, a ochilor, respiratorie și eventual mănuși. Pentru protecția respiratorie folosiți cel puțin o semimască filtrantă de particule din categoria de filtrare FFP2.

Pentru curățenia locului de muncă folosiți un desprăfuitor. Nu măturați ca să nu se ridice praful depus.

TRANSPORT, MÂNUIRE, DEPOZITARE

Discurile diamantate trebuie manipulate și transportate cu grijă. Folosiți în măsura posibilităților ambalajul original sau un alt ambalaj adecvat.

Discurile trebuie depozitate într-un loc uscat și în așa fel încât să nu fie expuse unor deteriorări mecanice.

Protejați discurile de retezat contra loviturilor, șocurilor și factorilor ambientali dăunători.

ALIMENTARE DE LA REȚEA

☐ Conectați numai la priza de curent alternativ monofazat și numai la tensiunea specificată pe placuța indicatoare. Se permite conectarea și la prize fără împantantare dacă modelul se conformează clasei II de securitate.

CONDIȚII DE UTILIZARE SPECIFICE

Mașina de frezat caneluri în zid realizează canale pentru cabluri și țevi (șanțuri de zidarie) în orice tip de zidărie, cu doua discuri tăietoare diamantate care merg paralel unul cu celalalt.

Nu utilizați acest produs în alt mod decât cel stabilit pentru utilizare normală

Aparatele utilizate în multe locații diferite inclusiv în aer liber trebuie conectate printr-un disjunct (FI, RCD, PRCD) care previne comutarea.

DECLARAȚIE DE CONFORMITATE

Declarăm pe propria răspundere că produsul descris la "Date tehnice" este în concordanță cu toate prevederile legale relevante ale Directivei 2011/65/EU (RoHS), 2014/30/UE, 2006/42/CE și cu următoarele norme armonizate:

EN 60745-1:2009 + A11:2010
EN 60745-2-22:2011 + A11:2013
EN 55014-1:2017
EN 55014-2:2015
EN 61000-3-2:2014
EN 61000-3-3:2013
EN 50581:2012

Winnenden, 2018-02-26



Alexander Krug
Managing Director



Împuternicit să elaboreze documentația tehnică.

Techtronic Industries GmbH
Max-Eyth-Straße 10
71364 Winnenden
Germany

INSTRUCȚIUNI DE UTILIZARE

Mașina se deconectează automat dacă motorul este în suprasarcină. Lasați să se răcească, apăsați butonul de suprasarcină și reporniți mașina. Dacă protecția la suprasarcină deconectează frecvent, reduceți presiunea de tăiere sau adâncimea de tăiere.

Reglarea lățimii de tăiere infinit variabilă are avantajul că, dacă lățimea șanțului (canelurii) este reglată corect, țevile, etc. pot fi montate precis în locașul creat și nu mai este necesară asigurarea lor cu cuie, etc. pentru a preveni căderea lor.

Ascuțiți lamele tăietoare diamantate tocite (se recunosc prin apariția scânteilor în timpul tăierii) prin efectuarea unor tăieturi în gresie alcaroasă sau în piatră specială de ascuțit.

Discurile tăietoare devin foarte fierbinți în timpul utilizării. Nu le atingeți înainte de a se fi răcit.

INTREȚINERE

Fantele de aerisire ale mașinii trebuie să fie menținute libere tot timpul

Utilizați numai accesorii și piese de schimb Milwaukee. Dacă unele din componente care nu au fost descrise trebuie înlocuite, vă rugăm contactați unul din agenții de service Milwaukee (vezi lista noastră pentru service / garanție)

Dacă este necesar, puteți solicita de la centrul dvs. de service pentru clienți sau direct la Techtronic Industries GmbH, Max-Eyth-Straße 10, 71364 Winnenden, Germania un desen descompus al aparatului prin indicarea tipului de aparat și a numărului cu șase cifre de pe tablăta indicatoare.

SIMBOLURI



PERICOL! AVERTIZARE! ATENȚIE!



Întotdeauna scoateți stecarul din priza înainte de a efectua intervenții la mașină.



Va rugăm citiți cu atenție instrucțiunile înainte de pornirea mașinii



Purtați întotdeauna ochelari de protecție când utilizați mașina.



Purtați căști de protecție



Pentru protecția respirației se va folosi cel puțin o semi-mască cu funcțiune de filtrare a particulelor, de clasa FFP2.



Purtați mănuși de protecție!



Accesoriu - Nu este inclus în echipamentul standard, disponibil ca accesoriu



Aruncarea aparatelor electrice la gunoier menajer este interzisă. Echipamentele electrice și electronice trebuie colectate separat și predate la un centru de reciclare și eliminare a deșeurilor, pentru a fi eliminate ecologic. Interesați-vă la autoritățile locale sau la comerciantul dvs. de specialitate unde se află centre de reciclare și puncte de colectare.



Sculă electrică cu clasa de protecție II. Sculă electrică la care protecția împotriva unei electrocutări nu depinde doar de izolația de bază, ci și de aplicarea de mășuri suplimentare de protecție, cum ar fi o izolație dublă sau o izolație mai puternică. Nu există un dispozitiv pentru conectarea unui conductor de protecție.



Marcaj CE



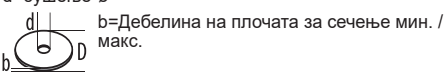
Regulatory Compliance Mark (RCM). Produsul îndeplinește normele în vigoare.



Marcaj național de conformitate Ucraina



Marcaj de conformitate EurAsian.

Технички податоци	WCS 45
Глодалки за сидни конструкции	
Производен број	4632 81 03... 3930 04 04... ...000001-999999
Определен внос	1900 W
Номинална брзина	6200 min ⁻¹
D=Максимален дијамантска разделна плоча-ø d=бушење-ø	150 mm 22,2 mm
 b=Дебелина на плочата за сечење мин. / макс.	2,4 / 2,6 mm
Длабочина на сечење	0-45 mm
Ширина на сечење	17-45 mm
Тежина според ЕПТА-процедурата 01/2014	6,6 kg
Информација за бучавата/вибрациите Измерените вредности се одредени согласно стандардот EN 60 745. А-оценетото ниво на бучава на апаратот типично изнесува: Ниво на звучен притисок. (Несигурност K=3dB(A)) Ниво на јачина на звук. (Несигурност K=3dB(A)) Носте штитник за уши. Вкупни вибрациски вредности (векторски збир на трите насоки) пресметани согласно EN 60745. Вибрациска емисиона вредност a _n Несигурност K	99 dB(A) 110 dB(A) 6,5 m/s ² 1,5 m/s ²

ПРЕДУПРЕДУВАЊЕ

Нивото на осцилација наведено во овие инструкции е измерено во согласност со мерните постапки нормирани во EN 60745 и може да биде употребено за меѓусебна споредба на електро-алати. Ова ниво може да се употреби и за привремена проценка на оптоварувањето на осцилацијата.

Наведеното ниво на осцилација ги репрезентира главните намени на електро-алатот. Но, доколку електро-алатот се употребува за други намени, со отстапувачки додатоци или со несоодветно одржување, нивото на осцилација може да отстапи. Тоа може значително да го зголеми оптоварувањето на осцилацијата за време на целиот работен период.

За прецизна проценка на оптоварувањето на осцилацијата предвид треба да бидат земени и времињата, во коишто апаратот е исклучен или работи, но фактички не се употребува. Тоа може значително да го намали оптоварувањето на осцилацијата за време на целиот работен период.

Утврдете дополнителни безбедносни мерки за заштита на операторот од влијанието на осцилациите, како на пример: одржување на електро-алатот и на додатоци кон електро-алатот, одржување топли раце, организација на работните процеси.

⚠ ПРЕДУПРЕДУВАЊЕ! Прочитајте ги сите безбедносни упатства и инструкции. Заборавање на почитувањето на безбедносните упатства и инструкции можат да предизвикаат електричен удар, пожар и/или тешки повреди.
Сочувајте ги сите безбедносни упатства и инструкции за во иднина.

⚠ БЕЗБЕДНОСНИ УПАТСТВА ЗА БРУСЕЧКИ МАШИНИ ЗА ДЕЛЕЊЕ

a) **Заштитната хауба која што припаѓа кон електричното орудие мора да биде нанесено безбедно и подесено на тој начин, што ќе се постигне највисока мера на безбедност, односно најмалиот дел на делот за брусеење да биде отворен према лицето корисник. Вие и лица кои што се наоѓаат во близина држете растојание вон нивото на ротирачкиот диск за брусеење.** Заштитната хауба треба да ги штити корисниците од откриени парчиња и случаен контакт со брусечкото тело.

b) **Исклучиво употребувајте поврзани засилени или со дијамант обезбедени дискови за делење за Вашето електрично орудие.** Самото тоа што можете опремата да ја прицврстите за Вашето електрично орудие не гарантира безбедна употреба.

c) **Бројот на вртежи на алатот, којшто се употребува, мора да биде нај-малку толку висок**

како и бројот на вртежите на вашиот електро-алат. Додатокот, којшто се врти побрзу, може да се скриша и да излета.

d) **Телата за брусеење смеат да се употребуваат само за препорачаните можности за употреба.** На пример: никогаш не брусее со страничната површина од диск за делење. Дисковите за делење се наменети за отстранување на материјал со работ на дискот. Дејството на странична сила врз овие тела за брусеење може да ги скрши истите.

e) **Секогаш употребувајте исклучиво нештетени фланшови за затегнување во исправната вечичина за разделната плоча која што е избрана од Вас.** Соодветните фланшови ја потпираат разделната плоча и со тоа ја намалуваат опасноста од кршење на разделните плочи.

f) **Не употребувајте искористени дискови за брусеење од поголеми електро-алати.** Дисковите за брусеење за поголеми електро-алати не се погодни за повисоките броеви на вртежи кај помалите електро-алати и можат да се скршат.

g) **Надворешниот пресек и дебелината на орудјата кои што се применуваат мора да соодветствуваат со мерните информации на Вашето електро-орудие.** Погрешно измерени орудја за употреба не можат во доволна мерка да бидат заштитени или контролирани.

h) **Дисковите за брусеење и фланшовите мора точно да одговараат на вретеното за брусеење на Вашето електрично орудие.** Орудја во примена кои што не одговараат точно на вретеното за брусеење на Вашето електрично орудие, се вртат неравномерно, многу силно вибрираат и можат да доведат до губење на контролата.

i) **Не употребувајте оштетени дискови за брусеење.** Пред секоја употреба контролирајте ги дисковите за брусеење да не имаат откриени делчиња и пукнатини. Кога електричното орудие или дискот за брусеење ќе Ви падне, проверете да не е оштетено или употребете неоштетен диск за брусеење. Кога дискот за брусеење го имате контролирано и вметнато, Вие и лица кои што се наоѓаат во близина, внимавајте да не дојдете на нивото на ротирачкиот диск за брусеење и оставете го апаратот да врти со највисок број на вртежи за цела една минута. Дискови за брусеење кои што се оштетени за ова време на тестирање обично ќе се скршат.

j) **Носете опрема за лична заштита. Зависно од употребата, користете целосна визуелна заштита, заштита за очите или заштитни очила. Доколку е потребно, носете маска за заштита од прашина, заштита за ушите, заштитни ракавици или специјална престилка, со која се заштитувате од ситни честички од шлајфувањето и од материјалот.** Очите треба да бидат заштитени од страни тела што се разлетуваат наоколу, а кои настануваат при различни употреби. Заштита маска од прашина и за дишење мора да ја филтрираат прашиката што се создава при работата. Доколку сте подолго време изложени на гласна бучава, тоа може да предизвика губење на слухот.

k) **Кај други лица обратете внимание на безбедно растојание кон Вашето подрачје на работење. Секој кој што влегува во работното подрачје мора да носи лична заштитна опрема.** Делови од парчето кое што се работи или скршено орудие кое што се употребува може да летне и да предизвика повреди и вон директното подрачје на изведување на работите.

l) **Држете го електричниот алат за издадените површини при изведување на операции при кои алатот за сечење можат да дојдат во контакт со скриени жици или сопствениот гајтан. Контакт со жица под напон исто така ќе направи проводници од металните делови и оној кој ракува со алатот ќе доживее струен удар.**

m) **Кабелот за напојување со струја чувајте го настрана од прибор што се врти.** Доколку ја изгубите контролата над електро-алатот, кабелот за напојување со струја може да се исече или да се закачи и вашата рака или вашата дланка да бидат повлечени во приборот што се врти.

n) **Никогаш не го оставајте електро-орудието ако орудјето за применување не е дојдено во потполно мирување.** Орудјето за примена кое што се врти може да дојде во контакт со подлогата за оставање со што би можеле да ја изгубите контролата врз електро-орудието.

o) **Не оставајте го електро-алатот да работи додека го носите.** Вашата облека може да биде закачена преку случаен контакт со приборот што се врти, при што тој може да навлезе во вашето тело.

p) **Редовно чистете го отворот за проветрување на вашиот електро-алат.** Вентилаторот на моторот влече прашина во кукшето, а големо насобирање на метална прашина може да предизвика електрични опасности.

q) **Не го употребувајте електро-орудието во близина на запаливи материјали.** Искрите би можеле да ги запалат овие материјали.

r) **Не употребувајте орудја за примена, кои што изискуваат тесни средства за ладење.** Употребата на вода или други течни средства за ладење може да доведат до електричен удар.

Понатамошни упатства за безбедност за применувањето на брусеењето со делење

Повратен удар и соодветни напомени за безбедност

Повратниот удар претставува ненадејна реакција како последица на диск за брусеење кој што при вртењето е заглавен или блокиран. Заглавувањето или блокирањето доведува до нагло стопирање на ротирачкото применето орудие. На тој начин неконтролирано електрично орудие се забрзува наспроти правецот на вртење на применетото орудие кај местото на блокирање.

Доколку, на пример, диск за брусеење е заглавен или блокиран во материјалот, работ на дискот за брусеење што навлегува во материјалот, може да се закачи и на тој начин да дојде до излегување на дискот или да се предизвика повратен удар. Во таков случај дискот за брусеење се движи или кон операторот или настрана од него, зависно од насоката на вртење на дискот во точката на спојување. Притоа дисковите за брусеење можат исто така и да се скршат.

Повратен удар претставува последица од погрешна или неисправна употреба на електро-алатот. Тој може да биде избегнат со соодветни мерки на претпазливост, како што се опишани подолу.

a) **Држете го електро-алатот цврсто и поставете ги вашето тело и вашите раце во позиција, со која ќе можете да дадете отпор на силите од повратниот удар. Секогаш употребувајте ја додатната рака, доколку постои, за да можете да имате максимална можна контрола над силите од повратниот удар или на моментите на реакција при пуштање во работа.** Операторот може да ги контролира силите на повратниот удар и реакционите сили со преземање соодветни мерки на претпазливост.

b) **Никогаш не поставувајте ја вашата рака во близина на прибор што се врти.** Во случај на повратен удар, приборот може да биде исфрлен врз вашата рака.

c) **Избегнувајте го подрачјето пред и позади ротирачкиот диск за делење.** Повратниот удар го тера електричното орудие во правец наспроти движењето на дискот за брусеење кај местото на блокирање.

d) **Работете особено внимателно кај агли, остри рабови итн. Спречувајте ситуации, во кои приборот се одбива од и заглавува во материјалот за обработка.** Кај агли, остри рабови или во случај на одбивање ротирачкиот прибор е склон кон заглавување. Тоа предизвикува губење на контролата или повратен удар.

e) **Не употребувајте ланчест или запечест лист за пилење ниту пак сегментиран дијамантен диск со повеќе од 10 мм широки шлицови.** Такви применети орудја често предизвикуваат повратен удар или губење на контролата врз електричното орудие.

f) **Избегнувајте заглавување на дискот за делење или премногу висок контакттен притисок. Не изведувајте претерано длабоки засеци.** Преоптоварувањето на дискот за делење го зголемува неговиот напор и чувствителноста за извртување или блокирање, а со тоа и на можноста за повратен удар или за кршење на телото за брусеење.

g) **Доколку дискот за делење се заглави или доколку прекинете со работа, исклучете го електро-алатот и држете го мирно сè додека дискот не постигне состојба на мирување. Никогаш не**

обидувајте се, да го извлечете дискот од засекот додека се врти, во спротивно може да дојде до повратен удар. Констатирајте и отстранете ја причината за заглавувањето.

h) Не вклучувајте го електро-алатот повторно, сè додека истиот се наоѓа во материјалот за обработка. Дозволете дискот да го достигне целиот број на вртежи, пред внимателно да го продолжите сечењето. Во спротивно дискот може да заглави, да отскокне од материјалот за обработка или да предизвика повратен удар.

i) Потпрете ги плочите или големите материјали за обработка, за да го намалите ризикот од повратен удар како резултат на заглавен диск за делење.

Големи материјали за обработка може да свијат како последица на својата тежина. Материјалот за обработка мора да биде потпран на двете страни и тоа како во близина на засекот за делење така и на работ.

j) Бидете особено внимателни при „сечење џебови“ кај ѕидови или во други непрогледни области. Дискот што навлегува може да предизвика повратен удар при сечење во гасоводи или водоводи, понатаму во електрични водови или други објекти.

РАБОТЕН СИСТЕМ НА ЗИДНА ЖЛЕБЕСТА ФРЕЗА - ЕКСТРАКТОР НА ПРАВ

Зидната жлебеста фреза да се употребува исклучиво со екстрактори на прав од класата на прав М. Други комбинации можат да доведат до полошо собирање и одвојување на правот.

Обратете внимание на напомените за употребата, за одржувањето и за чистењето на екстракторот на прав вклучувајќи ги и напомените за филтрите. Кога контейнерот за собирање на правот е наполнет, веднаш треба да се испразни.

Употребувајте го исклучиво предвиденото црево за всмукување. Цревото за всмукување не треба да се модифицира. Доколку во цревото за всмукување влезат парчиња камен, работата мора да се прекине и цревото за всмукување треба веднаш да се очисти. Треба да се избегнува свиткување на цревото за всмукување.

Филтерот треба редовно да се чисти и да се заменува; да не се отстрануваат филтри / компоненти на филтрите.

Зидната жлебеста фрез и дисковите за сечење треба да се изберат во склад со подлогата. Производителите нудат различни дискови за сечење во зависност од подлогата.

Употребувајте исклучиво дискови за сечење со дијаманти. Сегментирани дијамантни дискови смеат да да се употребуваат само ако имаат негативни агли на сечење и максимални процепи од 10 мм помеѓу сегментите.

Дисковите за сечење треба благовремено да се заменуваат односно да се наоструваат. Кога ќе се намали учинокот на сечење треба да се направи контрола, дали дисковите за сечење се избани и дали треба да се заменат односно да се наострат.

Постапката на топење и работниот процес треба да се изведува како што е опишано во упатството за употреба.

РАБОТНО МЕСТО

Треба да биде гарантирано придружувањето кон општите побарувања за тоа какви треба да бидат работните места на градежните локации (доволно осветлување, избегнување на места опасни за падови итн.). Обратете внимание не безбедносните напомени. Обезбедете добра вентилација.

Осигурајте се дека работниот простор е расчистен и слободен. Со релативно долги жлебови екстракторот

на прашина треба да може да се движи слободно со наводникот односно да може да дојде на ред директно после него.

РАБОТНА ОРГАНИЗАЦИЈА

Употребувајте заштита за слухот, заштита за очите, заштита за дишните органи и евентуално и ракавици. Како заштита на дишните органи употребувајте полумаска од класата FFP2 која што филтрира барем честички.

Употребувајте го екстракторот на прашина за да го очистите работното место. Не го расфрлувајте застоениот прав со метење.

ТРАНСПОРТ, РАКУВАЊЕ И СКЛАДИШТЕЊЕ

Дијамантните дискови за сечење мора да се ракуваат и да се транспортираат внимателно. Употребувајте го доколку е можно оригиналното пакување или некое друго соодветно пакување.

Дисковите мора да се чуваат во сува околина на тој начин што нема да бидат изложени на механички оштетувања.

Заштиткувајте ги дисковите за сечење од удари, поттурнувања и штетни влијанија од околината.

СПЕЦИФИЦИРАНИ УСЛОВИ НА УПОТРЕБА

Машината за кршење ѕидови сече канали за кабли и цевки (ѕидарски жлебови) при каква и да е конструкција од тули со двојните дијамантни дискови кои работат паралелно.

Не го користете овој производ на било кој друг начин освен пропишаниот за нормална употреба.

Уредите кои се користат на многу различни локации вклучувајќи и отворен простор мора да бидат поврзани за струја преку направата за поврзување (FI, RCD, PRCD).

ЕУ-ДЕКЛАРАЦИЈА ЗА СООБРАЗНОСТ

Во своја сопствена одговорност изјавуваме дека под "Технички податоци" опишаниот производ е во склад со сите релевантни прописи од регулативата 2011/65/EU (RoHS), 2014/30/EU, 2006/42/EC и следните хармонизирачки нормативни документи:

EN 60745-1:2009 + A11:2010
EN 60745-2-22:2011 + A11:2013
EN 55014-1:2017
EN 55014-2:2015
EN 61000-3-2:2014
EN 61000-3-3:2013
EN 50581:2012

Winnenden, 2018-02-26



Alexander Krug
Managing Director



Ополномоштен за составување на техничката документација.

Techtronic Industries GmbH
Max-Eyth-Straße 10
71364 Winnenden
Germany

ГЛАВНИ ВРСКИ

☐ Да се спои само за една фаза АС коло и само на главниот напон наведен на плочката. Можно е исто така и поврзување на приклучок без заземјување доколку изведбата соодветствува на безбедност од 2 класа.

СОВЕТ ЗА КОРИСТЕЊЕ

Брзината на ротацијата при зголемување на оптоварувањето електронски се прилагодува.

Во случај на подолго преоптоварување брзината се намалува електронски. Машината продолжува да работи полка за да ги олади намотките на моторот. По исклучување и повторно вклучување машината може да се користи со зголемено оптоварување.

Во случај на ефект од екстремни електромагнетни пречки од надвор, може да дојде до привремено варирање на брзината на ротација во одредени случаеви може да се зголеми.

Острете ги тапите куси сечила (можат да бидат препознаени по искрите кои летаат при сечењето) со неколку засеци во калцифицирани песочни карпи или специјален камен за острење.

Дисковите за сечење при користење стануваат многу жешки. Не ги подирајте пред да се изладат.

ОДРЖУВАЊЕ

Вентилациските отвори на машината мора да бидат комплетно отворени постојано.

Користете само Milwaukee додатоци и резервни делови. Доколку некои од компонентите кои не се опишани треба да бидат заменети, Ве молиме контактирајте ги сервисните агенти на Milwaukee (консултирајте ја листата на адреси).

При потреба може да се побара експлозионен цртеж на апаратот со наведување на машинскиот тип и шестоцифрениот број на табличката со учинокот или во Вашата корисничка служба или директно кај Techtronic Industries GmbH, Max-Eyth-Straße 10, 71364 Winnenden, Германија.

СИМБОЛИ



ВНИМАНИЕ! ПРЕДУПРЕДУВАЊЕ!
ОПАСНОСТ!



Секогаш кога преземате активности врз машината исклучете го кабелот од струјата.



Ве молиме пред да ја стартувате машината обрнете внимание на упатствата за употреба.



Секогаш при користење на машината носете ракавици.



Носете штитник за уши.



Користете ФФП2 респиратор за честички како минимална заштита.



Носете ракавици!



Дополнителна опрема - Не е вклучена во стандардната, а достапна е како додаток.



Електричните апарати не смеат да се фрлат заедно со домашниот отпад. Електричните и електронските апарати треба да се собираат одделно и да се однесат во соодветниот погон заради нивно фрлање во склад со начелата за заштита на околината. Информирајте се кај Вашите местни служби или кај специјализираниот трговски претставник, каде има такви погони за рециклажа и собирни станици.



Електрично орудие од заштитната категорија II. Електрично орудие чијашто заштита од електричен удар не зависи само од основната изолација туку и од тоа дали ќе се применат дополнителните заштитни мерки како што се двоструките изолации или појачаната изолација. Не постои никаква направа за приклучување на некој заштитен вод.



CE-знак



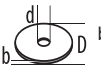
Regulatory Compliance Mark (RCM). Производот ги исполнува важечките прописи.



Национален конформитетски знак за Украина



EurAsian (Евроазиатски) знак на конформитет.

ТЕХНІЧНІ ХАРАКТЕРИСТИКИ ШТРОБОРІЗ	WCS 45
Номер виробу	4632 81 03... 3930 04 04... ...000001-999999
Номінальна споживана потужність	1900 W
Номінальна кількість обертів	6200 min ⁻¹
D=Ø алмазного відрізного диску макс. d=Ø отвору	150 mm 22,2 mm
 b=товщина відрізного диску мін./макс	2,4 / 2,6 mm
Глибина різання	0-45 mm
Ширина різання	17-45 mm
Вага згідно з процедурою EPTA 01/2014	6,6 kg
Шум / інформація про вібрацію Виміряні значення визначені згідно з EN 60 745. Рівень шуму "А" приладу становить в типовому випадку: Рівень звукового тиску (похибка K = 3 дБ(А)) Рівень звукової потужності (похибка K = 3 дБ(А)) Використовувати засоби захисту органів слуху! Сумарні значення вібрації (векторна сума трьох напрямків), встановлені згідно з EN 60745 Значення вібрації a _h похибка K =	99 dB(A) 110 dB(A) 6,5 m/s ² 1,5 m/s ²

ПОПЕРЕДЖЕННЯ!

Рівень вібрації, вказаний в цій інструкції, вимірювався згідно з методом вимірювання, нормованим стандартом EN 60745, і може використовуватися для порівняння електроінструментів. Він призначений також для попередньої оцінки навантаження від вібрації.

Вказаний рівень вібрації відповідає основним сферам використання електроінструменту. Але якщо електроінструмент використовується для іншої мети, з іншими вставними інструментами або при недостатньому технічному обслуговуванні, рівень вібрації може бути іншим. Це може значно підвищити навантаження від вібрації за весь період роботи.

Для точної оцінки навантаження від вібрації необхідно також враховувати час, коли прилад вимкнений або увімкнений, але фактично не використовується. Це може значно зменшити навантаження від вібрації за весь період роботи.

Визначте додаткові заходи безпеки для захисту оператора від дії вібрації, наприклад: Технічне обслуговування електроінструменту та вставних інструментів, зігрівання рук, організація робочих процесів

⚠ ПОПЕРЕДЖЕННЯ! Прочитайте всі вказівки з техніки безпеки та інструкції. Упущення при дотриманні вказівок з техніки безпеки та інструкції можуть призвести до ураження електричним струмом, пожежі та/або тяжких травм.
Зберігайте всі вказівки з техніки безпеки та інструкції на майбутнє.

⚠ ВКАЗІВКИ З ТЕХНІКИ БЕЗПЕКИ ДЛЯ ВІДРІЗНИХ ШЛІФУВАЛЬНИХ МАШИН

Захисний кожух, яким оснащений електроінструмент, має бути надійно закріпленим та відрегульований так, щоб забезпечити максимум безпеки, тобто відкритою у напрямку оператора має бути найменша частина відрізного диску.

Не використовуйте комплектуючі, які не передбачені або не рекомендовані виробником спеціально для цього електроінструменту. Той факт, що комплектуючі вдається закріпити в електроінструменті, ще не гарантує їх безпечного використання.

Допустима кількість обертів вставного інструменту має бути не меншою, ніж максимальна кількість обертів, вказана на електроінструменті. Комплектуючі, що обертаються швидше, ніж дозволено, можуть зламатися і відлетіти.

Шліфувальні інструменти можна використовувати тільки для рекомендованих робіт. Наприклад: Ніколи не здійснюйте шліфування боковою поверхнею відрізного диска. Відрізни диски призначені для зняття матеріалу кромкою диска. Прикладання сили збоку до цих шліфувальних інструментів може спричинити їхню поломку.

Завжди використовувати непошкоджені затиски фланці необхідного розміру та форми для вібраного вами відрізного диску. Відповідні фланці створюють опору для відрізного диска та знижують небезпеку поломки відрізного диска.

Не використовувати зношені шліфувальні диски від більшого електроінструмента. Шліфувальні диски для великих електроінструментів не розраховані на велику кількість обертів менших електроінструментів; вони можуть зламатися.

Зовнішній діаметр та товщина вставного інструмента повинні відповідати даним вашого електроінструмента.

Неправильний розмір вставних інструментів може бути причиною того, що вони недостатньо закриті захисними пристроями або їх важи контролювати.

Шліфувальні диски, шліфувальні вали та інші комплектуючі повинні точно підходити до шліфувального шпинделя або цапгового затискача електроінструмента. Вставні інструменти, що не точно підходять до шліфувального шпинделя

електроінструменту, обертаються нерівномірно, дуже сильно вібрують та можуть призвести до втрати контролю.

Не використовувати пошкоджені вставні інструменти. Перед кожним використанням перевіряйте вставні інструменти, наприклад, шліфувальні диски, на наявність сколів та тріщин, шліфувальні тарілчасті диски на наявність тріщин, ознаки зносу або сильного стирання, дротяні щітки на наявність незакріплених або поламаних дротів. Якщо електроінструмент або вставний інструмент впав, перевірте, чи він не пошкоджений, або використовуйте непошкоджений вставний інструмент. Якщо ви перевірили та встановили вставний інструмент, вам та особам, які знаходяться поблизу, необхідно триматися поза зоною дії вставного інструменту, що обертається, і нехай електроінструмент одну хвилину попрацює з максимальною частотою обертів. Пошкоджені вставні інструменти у більшості випадків ламаються під час такого випробування.

Носити індивідуальні засоби захисту. Залежно від виду робіт користуватися маскою для захисту всього обличчя, засобом для захисту очей або захисними окулярами. Якщо необхідно, одягніть маску для захисту від пилу, засоби захисту органів слуху, захисні рукавиці або спеціальний фартух, який затримує малі частинки від шліфування та часточки матеріалу.

Необхідно захищати очі від часточок та деталей, що можуть відлітати під час різних видів застосувань. Фільтруюча захисна маска або маска для захисту від пилу необхідні для фільтрації пилу, що виникає під час роботи. Якщо на органи слуху тривалий час діє гучний шум, це може призвести до втрати слуху.

Зверніть увагу, що інші особи можуть дотримуватися безпечної відстані від вашої робочої області. Кожний, хто входить в робочу область, повинен одягти індивідуальні засоби захисту.

Частинки заготовки або уламки вставних інструментів можуть відлітати та спричинити травми навіть за межами безпосередньої робочої області.

Тримайте електроінструмент за ізольовані поверхні ручок, коли виконуєте роботу, під час якої вставний інструмент може наштовхнутися на приховані електропроводи або на власний кабель. Контакт вставного інструменту з проводом під напругою може сприяти виникненню напруги на металевих деталях пристрою та призвести до ураження електричним струмом.

Тримайте мережевий кабель подалі від вставних інструментів, які обертаються. Якщо ви втратите контроль над електроінструментом, він може розрізати або захопити мережевий кабель, або ваші руки потраплять під вставний інструмент, який обертається.

Ніколи не кладіть електроінструмент, доки вставний інструмент не зупиниться повністю. Вставний інструмент, який обертається, може зіткнутися із поверхнею стійки, що може призвести до втрати контролю над електроінструментом.

Через випадкове торкання вставний інструмент, який обертається, може зачепити ваш одяг, а також врізатися в тіло.

Регулярно чистити вентиляційні отвори електроінструменту. Вентилятор двигуна втягує в корпус пил, велике скупчення металевого пилу може призводити до небезпеки, пов'язаної з електричними пристроями.

Не користуйтеся електроінструментом поблизу горючих матеріалів. Іскри можуть призвести до займання матеріалів.

Не використовувати вставні інструменти, які вимагають рідких засобів для охолодження. Використання води або інших рідких охолоджувальних засобів може призвести до ураження електричним струмом.

Подальші особливі вказівки з техніки безпеки для відрізного шліфування:

Віддача та відповідні вказівки з техніки безпеки

Віддача - це раптова реакція внаслідок заклинювання або блокування вставного інструмента, який обертається. Заклинювання або блокування веде до раптової зупинки вставного інструмента, який обертається. Внаслідок цього неконтрольований електроінструмент отримує прискорення в напрямку, протилежному напрямку обертання вставного інструмента в точці блокування.

Коли, наприклад, шліфувальний диск заклинюється або блокується в заготовці, край шліфувального диска, який занурений в заготовку, може зачепитися і зірвати шліфувальний диск або спричинити віддачу. Шліфувальний диск після цього рухається в напрямку до оператора або від нього, залежно від напрямку обертання диска в точці блокування. Шліфувальні диски можуть в цьому випадку також зламатися.

Віддача є наслідком неправильного або помилкового використання електроінструмента. Її можна попередити відповідними запобіжними заходами, як описано нижче.

Міцно тримати електроінструмент, тіло та руки мають бути в такому положенні, при якому вони можуть компенсувати сили віддачі. Завжди використовувати додаткову рукоятку, якщо вона є, щоб в максимальній мірі контролювати сили віддачі або зворотні моменти при розгоні. Користувач може відповідними запобіжними заходами управляти віддачею та зворотними силами.

Ніколи не наближати руки до вставних інструментів, які обертаються. Вставний інструмент може при віддачі вирватися з рук.

Триматися за межами ділянки, куди рухається електроінструмент при віддачі. Віддача спрямовує електроінструмент в напрямку, протилежному напрямку руху шліфувального диска в місці блокування.

Особливо обережно слід працювати на ділянках кутів, гострих кромок та ін. Запобігайте відскакуванню від заготовки та заклинюванню вставних інструментів.

Вставний інструмент, який обертається, може заклинюватися на кутах, гострих кромках або при відскаках. Це призводить до втрати контролю та до віддачі.

Не використовувати ланцюгове або зубчате пилкове полотно. Такі вставні інструменти часто спричиняють віддачу або втрату контролю над електроінструментом.

Уникати блокування відрізного диска або занадто сильного притискання. Не виконувати занадто глибокі розрізи. Перевантаження відрізного диска підвищує ризик утворення внутрішнього напруження та схильності до перекосу або блокування, які в свою чергу призводять до віддачі або поломки шліфувального інструменту.

Якщо відрізний диск заклинюється або ви переважаєте роботу, вимкніть електроінструмент та тримайте його спокійно, доки диск не зупиниться. Ніколи не намагайтеся витягнути відрізний диск з розрізу, доки він обертається, інакше може статися віддача. Визначити та усунути причину заклинювання.

Не вмикати повторно електроінструмент, доки він знаходиться в заготовці. Відрізний диск має спочатку досягти повної кількості обертів, перш ніж обережно продовжувати різання. Інакше диск може застрягнути, вийти з заготовки або спричинити віддачу.

Під плити або великі заготовки необхідно ставити опори, щоб зменшити ризик віддачі через заклинювання відрізного диска. Великі заготовки можуть прогинатися під власною вагою. Заготовка повинна мати опору з обох боків, поблизу розрізу та на краю.

Будьте особливо обережні при виконанні "кишень" в змонтованих стінах або на інших ділянках з поганим оглядом. Занурювальний відрізний диск може спричинити віддачу при різанні газових та водяних трубопроводів або електричних ліній чи інших об'єктів.

РОБОЧА СИСТЕМА ШТРОБОРІЗ - ПРИСТРІЙ ДЛЯ ВИДАЛЕННЯ ПИЛУ

Штроборіз використовувати тільки з пристроєм для видалення пилу класу чистоти М. Інші комбінації можуть приводити до гіршого всмоктування та відділення пилу.

Виконувати вказівки з експлуатації, технічного обслуговування та чищення пристрою для видалення пилу, в тому числі фільтрів. Коли мішки для збирання пилу заповнені, негайно випорожнити.

Використовувати тільки передбачений шланг для відсмоктування. Не вносити зміни в шланг для відсмоктування. Якщо у відсмоктувальний шланг потрапляють часточки каменю, перервати роботу та негайно почистити його. Уникати згинання відсмоктувального шланга.

Регулярно чистити та замінювати фільтр; не знімати фільтр / компоненти фільтру.

Штроборіз та відрізні диски вибирати згідно з матеріалом основи. Виробники пропонують різні відрізні диски для різних основ.

Використовувати відрізні диски лише з алмазним покриттям. Сегментні алмазні диски можуть мати тільки негативний кут різання та максимальні прорізи між сегментами 10 мм.

Своєчасно замінювати або загострювати відрізні диски. При зниженні продуктивності різання перевірити рівень зношення відрізних дисків та необхідність заміни або загострення.

Виконувати процес занурення та процес роботи, як описано в інструкції з експлуатації.

РОБОЧЕ МІСЦЕ

Забезпечити хорошу вентиляцію.

Забезпечити вільне робоче місце. Для довгих пазів пристрій для видалення пилу має рухатися за інструментом або його необхідно своєчасно просувати до інструмента.

ОРГАНІЗАЦІЯ ПРАЦІ

Використовувати засоби для захисту органів слуху, зору, дихальних органів та, в разі необхідності, рукавиці. Для захисту органів дихання необхідно використовувати як мінімум маску на половину обличчя класу FFP2, що фільтрує частинки.

Використовувати пристрій для видалення пилу для чищення робочого місця. Не піднімати відкладення пилу в повітря підмітанням.

ТРАНСПОРТУВАННЯ, ОБСЛУГОВУВАННЯ, ЗБЕРІГАННЯ

Працювати з алмазними відрізними дисками та транспортувати їх необхідно обережно. За можливості використовуйте оригінальну або іншу придатну упаковку.

Диски необхідно зберігати в сухому місці так, щоб вони не пошкоджувалися під дією механічних навантажень.

Захищайте відрізні диски від ударів, поштовхів та шкідливих впливів навколишнього середовища.

ПІДКЛЮЧЕННЯ ДО МЕРЕЖІ

Підключати лише до однофазного змінного струму і напруги мережі, які вказані на фірмовій табличці з паспортними даними. Можливе підключення також до штепсельних розеток без захисного контакту, адже конструкція має клас захисту II.

ВИКОРИСТАННЯ ЗА ПРИЗНАЧЕННЯМ

Штроборіз фрезерує двома паралельними алмазними відрізними дисками канавки для дротів та кабелів (штробы) в муруванні з будь-яких матеріалів.

Цей прилад можна використовувати тільки за призначенням так, як вказано в цьому документі.

Штепсельні розетки за межами приміщень та на вологих ділянках повинні бути оснащені автоматичним запобіжним вимикачем, який спрацьовує при появі струму витоку (FI, RCD, PRCD). Для цього необхідні монтажні інструкції для вашої електричної системи. Майте це на увазі при користуванні нашим приладом.

СЕРТИФІКАТ ВІДПОВІДНОСТІ ВИМОГАМ ЄС

Ми заявляємо на власну відповідальність, що виріб, описаний в "Технічних даних", відповідає всім застосованим положенням директиви 2011/65/EU (RoHS), 2014/30/EU, 2006/42/EG, та наступним гармонізованим нормативним документам:

EN 60745-1:2009 + A11:2010
EN 60745-2-22:2011 + A11:2013
EN 55014-1:2017
EN 55014-2:2015
EN 61000-3-2:2014
EN 61000-3-3:2013
EN 50581:2012

Winnenden, 2018-02-26



Alexander Krug
Managing Director



Уповноважений із складання технічної документації.

Techtronic Industries GmbH
Max-Eyth-Straße 10
71364 Winnenden
Germany

ВКАЗІВКИ ЩОДО ЕКСПЛУАТАЦІЇ

Електроніка коригує кількість обертів при підвищенні навантаження.

При тривалому перевантаженні електроніка перемикає двигун на знижену кількість обертів. Машина повільно працює далі для охолодження обмотки двигуна. Після вимкнення та повторного увімкнення можна продовжувати роботу з машиною в номінальному діапазоні навантаження.

Під дією надзвичайно великих зовнішніх електромагнітних завад в окремих випадках можуть мати місце тимчасові коливання кількості обертів.

Тупі алмазні відрізні диски (їх можна розпізнати за сильним утворенням іскор під час роботи) загострити,

зробивши кілька розрізів силікатної цегли, або спеціальним загострювальним каменем.

Відрізні диски під час роботи сильно нагріваються; не торкатися до них, доки вони не охолонуть.

ОБСЛУГОВУВАННЯ

Завжди підтримувати чистоту вентиляційних отворів.

Використовувати тільки комплектуючі та запчастини Milwaukee. Деталі, заміна яких не описується, замінювати тільки в відділі обслуговування клієнтів Milwaukee (зверніть увагу на брошуру "Гарантія / адреси сервісних центрів").

У разі необхідності можна запросити креслення з зображенням вузлів машини в перспективному вигляді, для цього потрібно звернутися в ваш відділ обслуговування клієнтів або безпосередньо в Techtronic Industries GmbH, Max-Eyth-Straße 10, 71364 Winnenden, Німеччина, та вказати тип машини та шестизначний номер на фірмовій табличці з даними машини.

СИМВОЛИ



УВАГА! ПОПЕРЕДЖЕННЯ! НЕБЕЗПЕЧНО!



Перед будь-якими роботами на машині витягнути штекер із штепсельної розетки.



Уважно прочитайте інструкцію з експлуатації перед введенням приладу в дію.



Під час роботи з машиною завжди носити захисні окуляри.



Використовувати засоби захисту органів слуху!



Для захисту органів дихання необхідно використовувати як мінімум маску на половину обличчя класу FFP2, що фільтрує частинки.



Носити захисні рукавиці!



Комплектуючі - не входять в обсяг постачання, рекомендовані доповнення з програми комплектуючих.



Електричні прилади не можна утилізувати з побутовими відходами.

Електричні та електронні прилади необхідно збирати окремо та здавати в спеціалізовані підприємства для утилізації, що не шкодить навколишньому середовищу.

Зверніться до місцевих органів або до вашого дилера, щоб отримати адреси пунктів вторинної переробки та пунктів прийому.



Електроінструмент класу захисту II. Електроінструмент, в якому захист від враження електричним струмом залежить не лише від базової ізоляції, але й від використовуваних додаткових засобів захисту, таких як подвійна ізоляція або посилена ізоляція. Не має пристроїв для підключення захисного з'єднання.



Знак CE



Знак відповідності встановленим нормам (RCM). Продукт відповідає діючим нормам.



Національний знак відповідності для України



Знак відповідності для Європи та Азії EurAsian

بموجب هذا نقر على مسؤوليتنا المنفردة، أن المنتج المذكور الموصوف تحت "البيانات الفنية" يلبي جميع التعليمات الهامة الخاصة بالمعايير ويتطابق مع وثائق المعايير المتوافقة التالية:

EN 60745-1:2009 + A11:2010
EN 60745-2-22:2011 + A11:2013
EN 55014-1:2017
EN 55014-2:2015
EN 61000-3-2:2014
EN 61000-3-3:2013
EN 50581:2012

Winnenden, 2018-02-26


Alexander Krug
Managing Director

معمدة للمطابقة مع الملف الفني

نصائح العمل

يتم تعديل سرعة الدوران إلكترونياً عندما يزداد الحمل.
في حالة فترة زيادة الحمل يتم تخفيض السرعة إلكترونياً. يستمر تشغيل الماكينة ببطء وذلك لتبريد ملف المحرك. يمكن استخدام الآلة بعد إطفائها وتشغيلها بحمل مقنن.
ويُفعل تأثير التداخل الكهرومغناطيسي الزائد من الخارج، قد تنشأ تغيرات عارضة في سرعة الدوران في حالات معينة.
يمكن شحذ شفرات القطع غير الحادة (يمكن التعرف عليها من خلال الشرر المتطاير أثناء القطع) من خلال القطع عدة مرات في الحجر الرملي الجيري أو أحجار الشحذ الخاصة.
تصبح أسطوانات القطع ساخنة جداً عندما تكون قيد الاستخدام. لذا لا تلمسها قبل أن تبرد.

الصيانة

يجب أن تكون فتحات تهوية الجهاز نظيفة طوال الوقت.
استخدم فقط ملحقات ميلوكي وكذلك قطع غير ميلوكي. إذا كانت المكونات التي يجب تغييرها غير مذكورة، يرجى الاتصال بأحد عملاء صيانة ميلوكي (انظر قائمة عناوين الضمان/الصيانة الخاصة بنا).
عند الحاجة يمكن طلب رمز انفجار الجهاز بعد ذكر طراز الآلة والرقم السداسي المذكور على بطاقة طاقة الآلة لدى جهة خدمة العملاء أو مباشرة لدى شركة Techtronic Industries GmbH, Max-Eyth-Straße 10, 71364 Winnenden، ألمانيا

تنبيه! تحذير! خطر!



افصل دائما القابس عن المقبس قبل تنفيذ أي عمل بالجهاز.



يرجى قراءة التعليمات بعناية قبل بدء تشغيل الجهاز.



ارتد دائماً نظارات الوقاية عند استخدام الجهاز.



ارتد واقيات الأذن!



استخدم كامامة جسيمات FFP2 كحد أدنى للحماية.



ارتد القفازات!



الملحق - ليس مدرجاً كمعدة قياسية، متوفر كملحق.



يحظر التخلص من الأجهزة الكهربائية في القمامة المنزلية. يجب جمع الأجهزة الكهربائية والإلكترونية منفصلة وتسليمها للتخلص منها بشكل لا يضر بالبيئة لدى شركة إعادة استغلال. الرجاء الاستفسار لدى الهيئات المحلية أو لدى التجار المتخصصين عن مواقع إعادة الاستغلال ومواقع الجمع.



أداة كهربائية ذات درجة حماية 2
أداة كهربائية لا تتوقف الحماية فيها من الصعق الكهربائي ليس فقط على العزل الأساسي، بل أيضاً على إجراءات الحماية الإضافية، مثل العزل المزدوج أو العزل المقوى.
ليس هناك تجهيز لتوصيل تاريس وافي



علامة المطابقة الأوروبية



علامة الامتثال للوائح (RCM). المنتج مطابق لمتطلبات اللوحة.



العلامة الوطنية للمطابقة الأوكرانية



علامة المطابقة الأوروبية الآسيوية



Copyright 2018
Techtronic Industries GmbH
Max-Eyth-Straße 10
71364 Winnenden
Germany
+49 (0) 7195-12-0



(02.18)

4931 470 055