

# Milwaukee®

Nothing but **HEAVY DUTY**®.



## M18 FBPV

Original instructions  
Originalbetriebsanleitung  
Notice originale  
Istruzioni originali  
Manual original  
Manual original  
Oorspronkelijke  
gebruiksaanwijzing  
Original brugsanvisning  
Original bruksanvisning  
Bruksanvisning i original

Alkuperäiset ohjeet  
Πρωτότυπο οδηγιών χρήσης  
Orijinal işletme talimatı  
Původním návodem k používání  
Pôvodný návod na použitie  
Instrukcją oryginalną  
Eredeti használati utasítás  
Izvirna navodila  
Originalne pogonske upute  
Instrukcijām oriēnālvadā  
Originali instrukcija

Algupärane kasutusjuhend  
Оригинальное руководство  
по эксплуатации  
Оригинално ръководство за  
експлоатация  
Instrucțiuni de folosire originale  
Оригинален прирачник за  
работа  
Оригінал інструкції з  
експлуатації  
التعليمات الأصلية

Technical Data, Safety Instructions, Specified Conditions of Use, EC-Declaration of Conformity, Batteries, Maintenance, Symbols	Please read and save these instructions!	<b>English</b>	<b>12</b>
Technische Daten, Sicherheitshinweise, Bestimmungsgemäße Verwendung, CE-Konformitätserklärung, Akku, Wartung, Symbole	Bitte lesen und aufbewahren!	<b>Deutsch</b>	<b>15</b>
Caractéristiques techniques, Instructions de sécurité, Utilisation conforme aux prescriptions, Déclaration CE de Conformité, Accus, Entretien, Symboles	A lire et à conserver soigneusement	<b>Français</b>	<b>19</b>
Dati tecnici, Norme di sicurezza, Utilizzo conforme, Dichiarazione di Conformità CE, Batterie, Manutenzione, Simboli	Si prega di leggere e conservare le istruzioni!	<b>Italiano</b>	<b>23</b>
Datos técnicos, Instrucciones de seguridad, Aplicación de acuerdo a la finalidad, Declaración de Conformidad CE, Batería, Mantenimiento, Símbolos	Lea y conserve estas instrucciones por favor!	<b>Español</b>	<b>27</b>
Características técnicas, Instruções de segurança, Utilização autorizada, Declaração de Conformidade CE, Acumulador, Manutenção, Símbolo	Por favor leia e conserve em seu poder!	<b>Português</b>	<b>31</b>
Technische gegevens, Veiligheidsadviezen, Voorgescreven gebruik van het systeem, EC-Konformiteitsverklaring, Akku, Onderhoud, Symbolen	Lees en let goed op deze adviezen!	<b>Nederlands</b>	<b>35</b>
Tekniske data, Sikkerhedshenvisninger, Tiltænkent formål, CE-Konformitetserklæring, Batteri, Vedligeholdelse, Symboler	Vær venlig at læse og opbevare!	<b>Dansk</b>	<b>39</b>
Tekniske data, Spesielle sikkerhetshenvisninger, Formålsmessig bruk, CE-Samsvarserklæring, Batterier, Vedlikehold, Symboler	Vennligst les og oppbevar!	<b>Norsk</b>	<b>42</b>
Tekniska data, Säkerhetsutrustning, Använd maskinen Enligt anvisningarna, CEFörsäkrän, Batterier, Skötsel, Symboler	Läs igenom och spara!	<b>Svenska</b>	<b>45</b>
Tekniset arvot, Turvallisuusohjeet, Tarkoituksenmukainen käyttö, Todistus CE-standardinmukaisuudesta, Akku, Huolto, Symbolit	Lue ja säilytä!	<b>Suomi</b>	<b>48</b>
Τεχνικά στοιχεία, Ειδικές υποδείξεις ασφαλείας, Χρήση σύμφωνα με το σκοπό προοριζομένου, Δήλωση πιστότητας ΕΚ, Μπαταρίες, Χαρακτηριστικά, Συντήρηση, Σύμβολα.	Παρακαλώ διαβάστε τις και φυλάξτε τις!	<b>Ελληνικά</b>	<b>51</b>
Teknik veriler, Güvenliğinizi için talimatlar, Kullanım, CE uyumluluk beyanince, Akü, Bakım, Semboller	Lütfen okuyun ve saklayın	<b>Türkçe</b>	<b>55</b>
Technická data, Speciální bezpečnostní upozornění, Oblast využití, Ce-prohlášení o shodě, Akumulátory, Údržba, Symboly	Po přečtení uschovejte	<b>Česky</b>	<b>59</b>
Technické údaje, Špeciálne bezpečnostné pokyny, Použitie podľa a predpisov, CE-Vyhľadanie konformity, Sieťová prípojka, Údržba, Symboly	Prosím prečítať a uschovať!	<b>Slovensky</b>	<b>62</b>
Dane techniczne, Specjalne zalecenia dotyczace bezpieczenstwa, Uzytkowanie zgodnie z przeznaczeniem, Swiadectwo zgodnosci ce, Podlaczenie do sieci, Gwarancja, Symbole	Należy uważnie przeczytać i zachować do wglądu!	<b>Polski</b>	<b>66</b>
Műszaki adatok, Különleges biztonsági tudnivalók, Rendeltetésszerű használat, Ce-azonossági nyilatkozat, Hálózati csatlakoztatás, Karbantartás, Szimbólumok	Olvassa el és őrizze meg	<b>Magyar</b>	<b>70</b>
Tehnični podatki, Specialni varnostni napotki, Uporaba v skladu z namembnostjo, Ce-izjava o konformnosti, Omežni priključek, Vzdrževanje, Simboli	Prosimo preberite in shranite!	<b>Slovensko</b>	<b>74</b>
Tehnički podaci, Specijalne sigurnosne upute, Propisna upotreba, CE-Izjava konformnosti, Priključak na mrežu, Održavanje, Simboli	Molimo pročitati i sačuvati	<b>Hrvatski</b>	<b>77</b>
Tehniskie dati, Speciālie drošības noteikumi, Noteikumiem atbilstošs izmantojums, Atbilstība CE normām, Tikla pieslēgums, Apkope, Simboli	Pielikums lietošanas pamācībai	<b>Latviski</b>	<b>80</b>
Techniniai duomenys, Ypatingos saugumo nuorodos, Naudojimas pagal paskirti, CE Atitikties pareiškimas, Elektros tinklo jungtis, Techninis aptarnavimas, Simboliai	Prašome perskaityti ir neišmesti!	<b>Lietuviškai</b>	<b>84</b>
Tehnilised andmed, Spetsiaalsed turvajuhised, Kasutamine vastavalt otstarbele, EÜ Vastavusavaldus, Võrkü ühendamine, Hooldus, Sümbolid	Palun lugege läbi ja hoidke alal!	<b>Eesti</b>	<b>88</b>
Технические данные, Рекомендации по технике безопасности, Использо- вание, Подключение к электросети, Обслуживание, Символы	Пожалуйста прочтите и сохраните эту инструкцию.	<b>Русский</b>	<b>91</b>
Технически данни, Специални указания за безопасност, Използване по предназначение, CE-Декларация за съответствие, Свързване към мрежата, Поддръжка, Символи	Моля прочетете и запазете!	<b>Български</b>	<b>95</b>
Date tehnice, Instrucțiuni de securitate, Condiții de utilizare specificate, Declarație de conformitate, Acumulatori, Întreținere, Simboluri	Va rugăm citiți și păstrați aceste instrucțiuni	<b>Română</b>	<b>99</b>
Технички Податоци, Упатство За Употреба, Специфицирани Услови На Употреба, Еу-декларација За Сообразност, БАТЕРИИ, Одржување, Символи	Ве молиме прочитајте го и чувајте го ова упатство!	<b>Македонски</b>	<b>103</b>
Технічні характеристики, Вказівки З Техніки Безпеки, Використання за призначенням, Сертифікат Відповідності Вимогам Єс, Акумуляторна, Обслуговування, Символи	Прочитайте та збережіть цю інструкцію.	<b>Українська</b>	<b>107</b>
تعليمات السلامة، شروط الاستخدام المحددة، البطاريات، إعلان المطابقة - الاتحاد الأوروبي، الصيانة، الرموز	يرجى قراءة وحفظ هذه التعليمات!	<b>العربية</b>	<b>114</b>

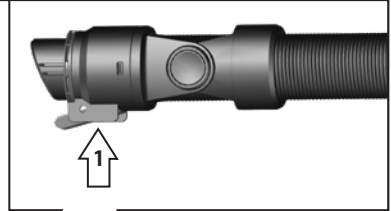


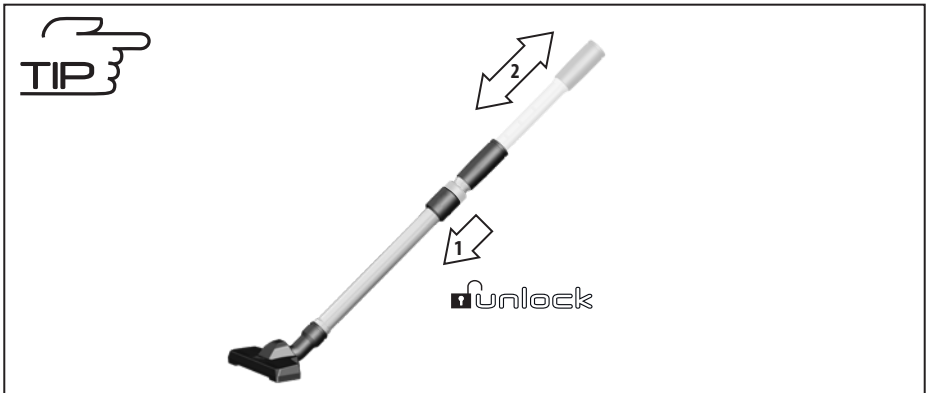
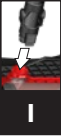
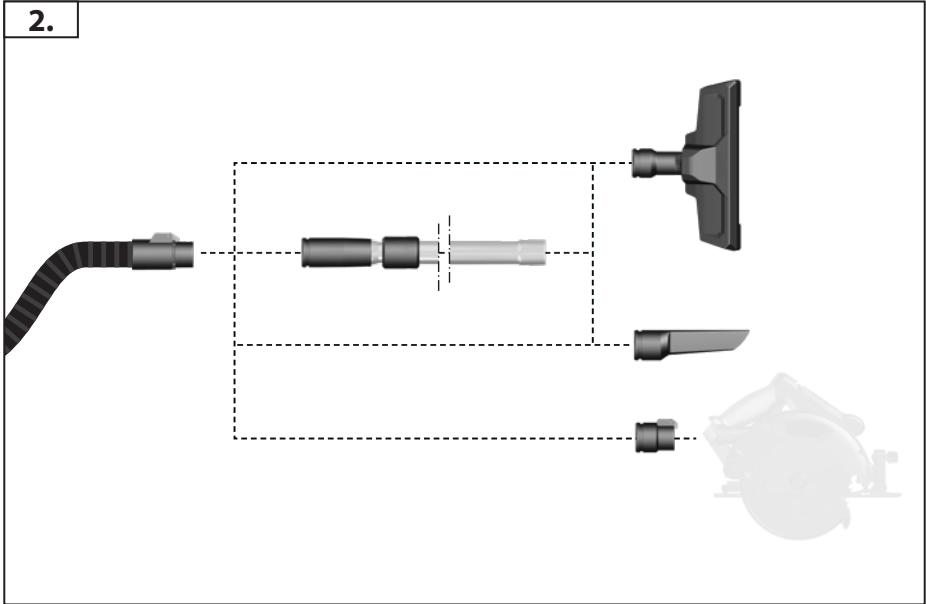


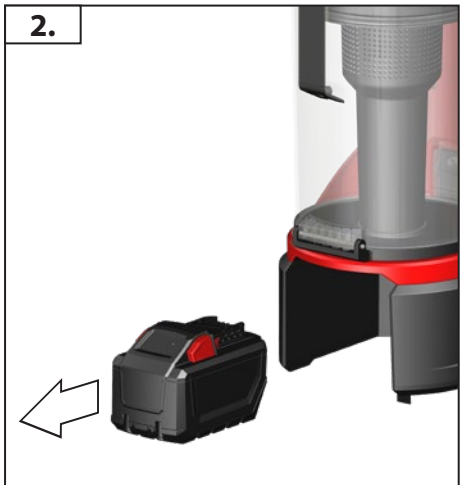
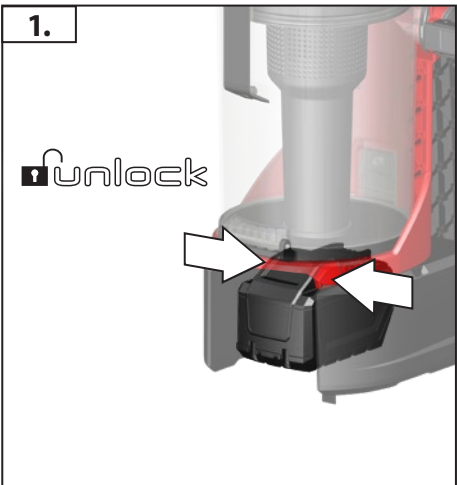
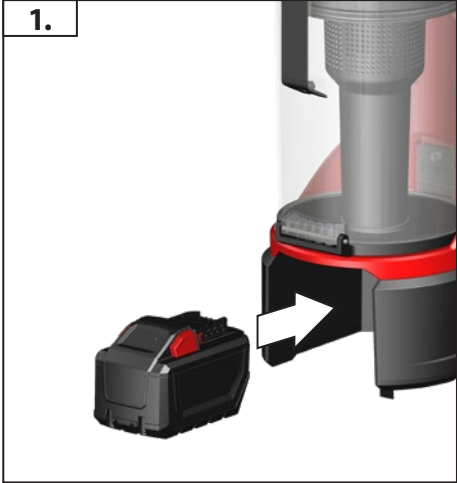


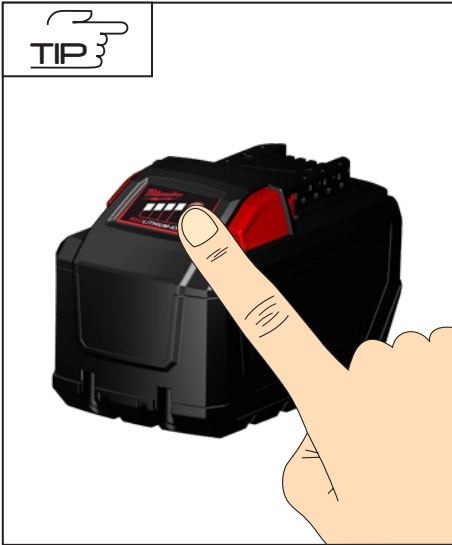


1.





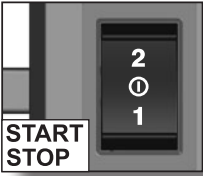




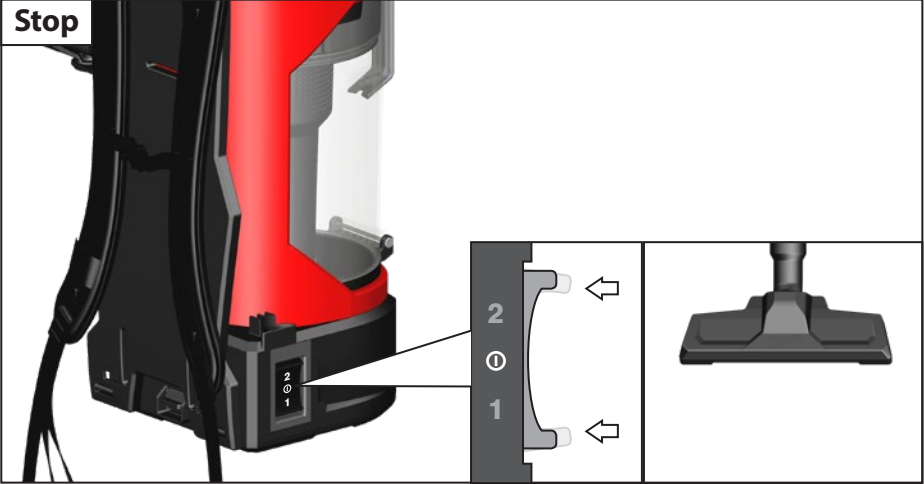
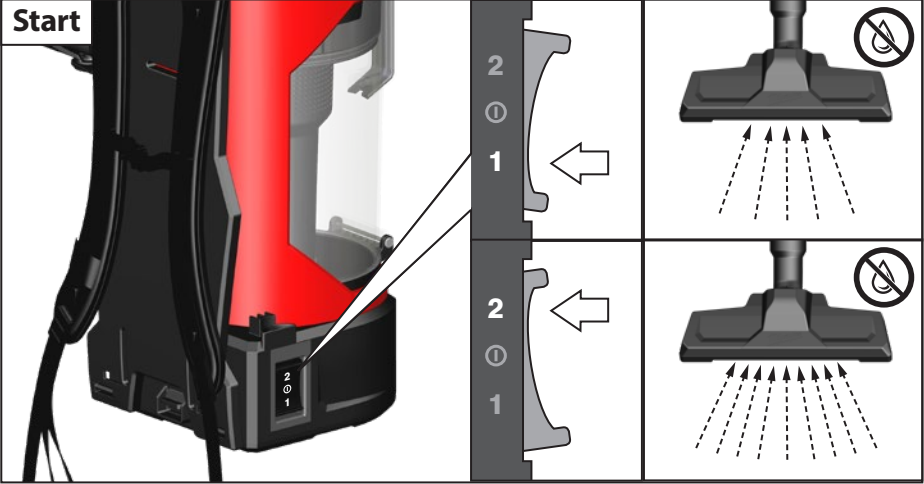
<b>78-100 %</b>		
<b>55-77 %</b>		
<b>33-54 %</b>		
<b>10-32 %</b>		
<b>&lt;10 %</b>		

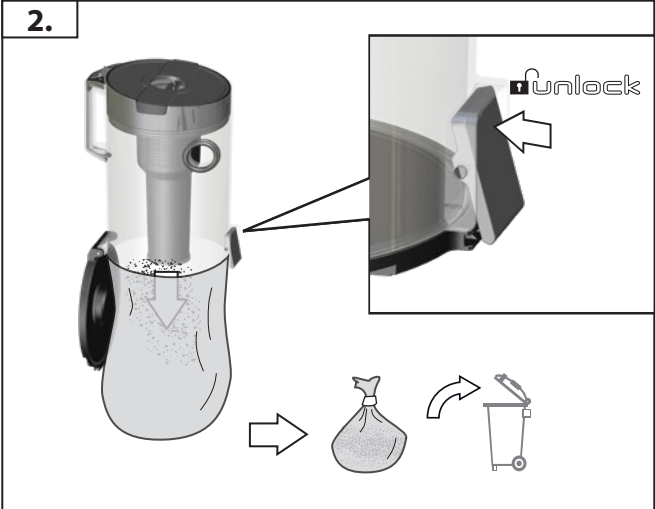
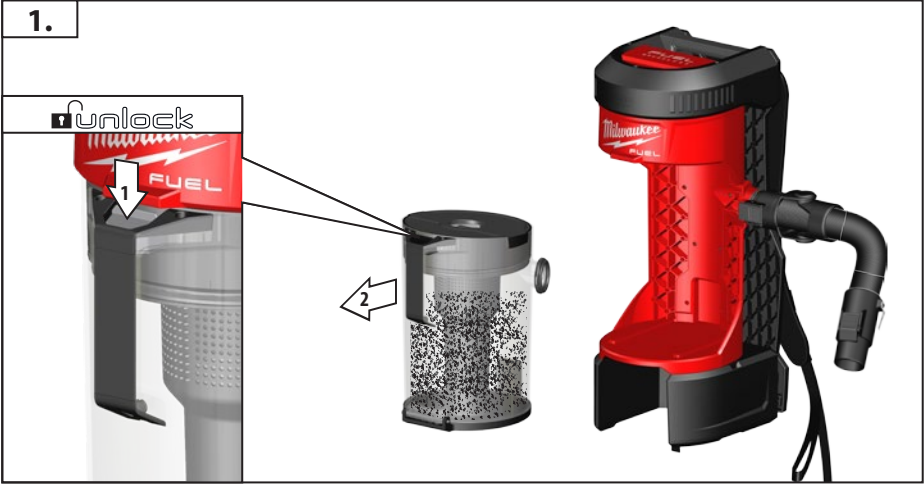


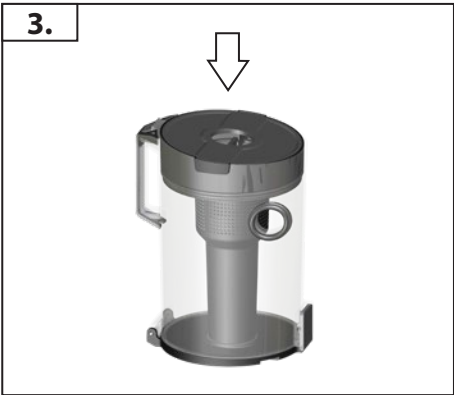
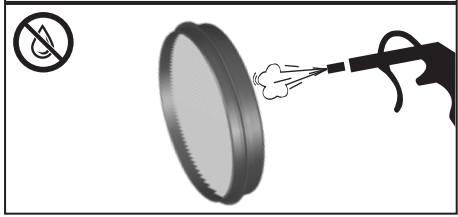
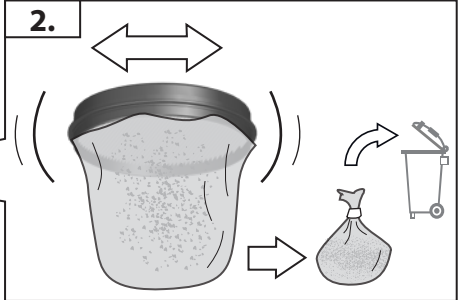
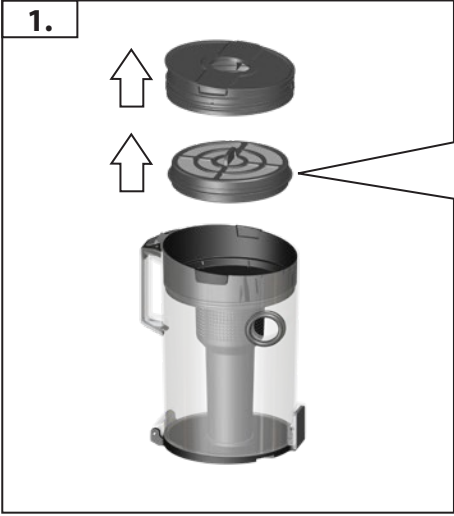


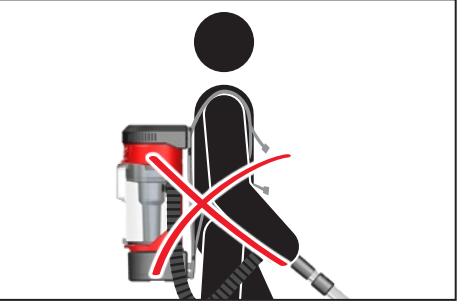
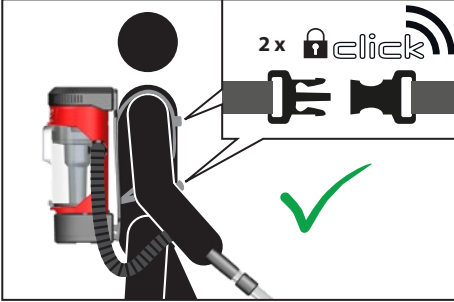


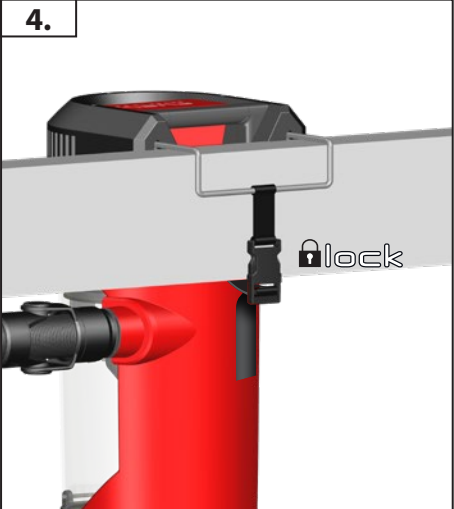
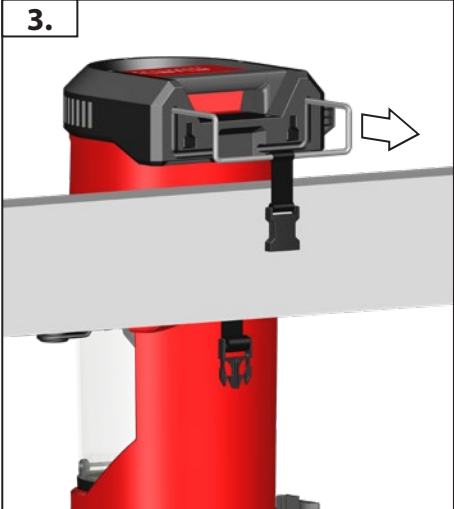
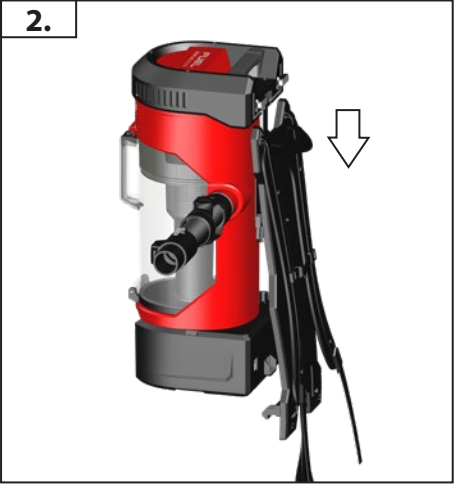
START  
STOP  
≡

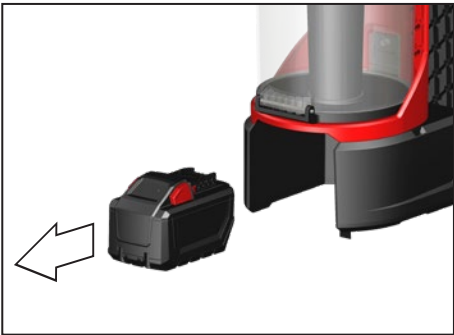












TECHNICAL DATA	M18 FBPV
<b>Dust Extraction</b>	
Production code	4693 26 01... ... 000001-999999
Battery voltage	18 V
Power input	25 A
Power consumption	380 W
Air delivery rate	1557 l/min 93 m <sup>3</sup> /h
Underpressure	18,9 kPa 189 mbar
Capacity	3,8 l
Filter type	HEPA H13
Weight according EPTA-Procedure 01/2014 (Li-Ion 2,0 Ah ... 12,0 Ah)	8,43 kg ... 9,53 kg
Suction hose diameter	36 mm
Recommended Ambient Operating Temperature	-18°C ... +50°C
Recommended battery types	M18B... M18HB...
Recommended charger	M12-18... M1418 C6
<b>Noise information</b>	
Measured values determined according to ISO 4871. Typically, the A-weighted noise levels of the tool are:	
Sound pressure level LpA (Uncertainty K=2dB(A))	65 dB (A)
Sound power level LWA (Uncertainty K=2dB(A))	76 dB (A)
<b>Wear ear protectors!</b>	
<b>Vibration information according to EN 60335-2-69</b>	
Total vibration values (vector sum in the three axes) determined according to ISO 5349.	
Vibration emission value a <sub>h</sub>	0,15 m/s <sup>2</sup>
Uncertainty K=	0,05 m/s <sup>2</sup>



**⚠ WARNING! Read the instruction manual carefully before using the appliance. Read all safety warnings and all instructions.**

Failure to follow the warnings and instructions may result in electric shock, fire and/or serious injury.

**WARNING: Operators shall be adequately instructed on the use of these machines.**

**Save all warnings and instructions for future reference.**

**⚠ SAFETY WARNINGS DUST EXTRACTION**

**This machine is not intended for use by persons (including children) with reduced physical, sensory or mental capabilities, or lack of experience and knowledge. Children should be supervised to ensure that they do not play with the appliance. Cleaning and user maintenance shall not be made by children without supervision.**

**This appliance may only be operated under supervision.**

**Fire and explosion hazard!**

Never suck up into the machine any inflammable or explosive solvents, or liquids like petrol, oil, alcohol, thinners, or small particles (such as metal filings or ash) that may be hotter than 60°C - otherwise there is danger of explosion or fire!

You are not allowed to use the appliance in the vicinity of inflammable gases or substances.

Do not point the nozzle, hose or tube at people or animals.

Keep hair, loose clothing, fingers and all parts of the body away from openings and moving parts. Do not put any objects into

openings or use with opening blocked. Keep openings free of dust, lint, hair, and anything else that could reduce the flow of air.

**WARNING!** To reduce the risk of fire, personal injury, and product damage due to a short circuit, never immerse your tool, battery pack or charger in fluid or allow a fluid to flow inside them. Corrosive or conductive fluids, such as seawater, certain industrial chemicals, and bleach or bleach containing products, etc., Can cause a short circuit.

Never break open battery packs and chargers and store only in dry rooms. Keep dry at all times.

Use only System M18 chargers for charging System M18 battery packs. Do not use battery packs from other systems.

Before starting work, the operating staff must be informed on and trained within:

- use of the machine
- risks associated with the material to be picked up
- safe disposal of the picked up material

**SPECIFIED CONDITIONS OF USE**

This mobile dust extractor is designed, developed and rigorously tested to function efficiently and safely when properly maintained and used in accordance with the following instructions.

The vacuum cleaners described in this operating manual are suitable for

- commercial use, e.g. in hotels, schools, hospitals, factories, shops, offices and rental businesses.
- industrial use, such as e.g. plants, construction sites and workshops.

- for separation of dust with an exposure limit of greater than 1 mg/m<sup>3</sup> (dust class L).

**WARNING: This machine is for dry use only.**

The following materials should not be picked up by the vacuum cleaner

- hazardous dusts which belong to the classes M and H
- hot materials (burning cigarettes, hot ash, etc.)
- flammable, explosive, aggressive liquids (e.g. petrol, solvents, acids, alkalis, etc.)
- flammable, explosive dust (e.g. magnesium or aluminium dust, etc.)



For Dust Class L machines (with type designation -0L, -2L) following applies:

- The appliance is suitable for picking up dry, non-flammable dust, hazardous dusts with OEL value > 1mg/m<sup>3</sup>.
- Dust Class L (IEC 60335-2-69)
- The dusts which belong to this class have OEL values > 1mg/m<sup>3</sup>
- For machines intended for the Dust Class L, the filter material is tested. The maximum degree of permeability is 1% and there is no special requirement for disposal.
- For dust extractors, ensure adequate air change rate L, when the exhaust air is returned to the room.

Besides the operating instructions and the binding accident prevention regulations valid in the country of use, observe recognised regulations for safety and proper use.

Accidents due to misuse can only be prevented by those using the machine.

**READ AND FOLLOW ALL SAFETY INSTRUCTIONS.**

Any other use is considered as improper use. The manufacturer accepts no liability for any damage resulting from such use. The risk for such use is borne solely by the user. Proper use also includes proper operation, servicing and repairs as specified by the manufacturer.

**BATTERIES**

Battery packs which have not been used for some time should be recharged before use.

Temperatures in excess of 50°C (122°F) reduce the performance of the battery pack. Avoid extended exposure to heat or sunshine (risk of overheating).

The contacts of chargers and battery packs must be kept clean.

For an optimum life-time, the battery packs have to be fully charged, after use.

To obtain the longest possible battery life remove the battery pack from the charger once it is fully charged.

For battery pack storage longer than 30 days: Store the battery pack where the temperature is below 27°C and away from moisture. Store the battery packs in a 30% - 50% charged condition. Every six months of storage, charge the pack as normal.

Non-rechargeable batteries are not to be recharged.

Rechargeable batteries are to be removed from the appliance before being charged;

Exhausted batteries are to be removed from the appliance and safely disposed of.

If the appliance is to be stored unused for a long period, the batteries should be removed.

The supply terminals are not to be short-circuited.

**TRANSPORTING LITHIUM BATTERIES**

Lithium-ion batteries are subject to the Dangerous Goods Legislation requirements.

Transportation of those batteries has to be done in accordance with local, national and international provisions and regulations.

The user can transport the batteries by road without further requirements.

Commercial transport of Lithium-Ion batteries by third parties is subject to Dangerous Goods regulations. Transport preparation and transport are exclusively to be carried out by appropriately trained persons and the process has to be accompanied by corresponding experts.

When transporting batteries:

Ensure that battery contact terminals are protected and insulated to prevent short circuit. Ensure that battery pack is secured against movement within packaging. Do not transport batteries that are cracked or leak. Check with forwarding company for further advice

**BATTERY PACK PROTECTION**

In extremely high torque, binding, stalling and short circuit situations that cause high current draw, the tool will stop for about 2 seconds and then the tool will turn OFF. To reset, release the trigger. Under extreme circumstances, the internal temperature of the battery could become too high. If this happens, the battery will shut down.

To reset, release the trigger.

Under extreme circumstances, the internal temperature of the battery pack could raise too much. If this happens, the fuel gauge will flash until the battery pack cooled down. After the lights go off, the work may continue.

Place the battery on the charger to charge and reset it.

**WORKING INSTRUCTIONS**

Only use the appliance if it is in perfect condition. Never use the dust extractor without a filter, or if the filter is damaged.

Do not use any unsafe work techniques.

Use extra care when cleaning on stairs.

Discard filter elements, filter bags and disposal bags in accordance with the national regulations.

**CAUTION: This machine is for indoor use only.**

Provide for good ventilation at the working place.

If the machine is not working properly or has been dropped, damaged, left outdoors, or dropped into water, return it to a service center or dealer.

**MAINTENANCE, CLEANING AND REPAIR**

Remove the battery pack before starting any work on the appliance.

Only carry out maintenance work described in the operating instructions.

The ventilation slots of the machine must be kept clear at all times.

The detachable parts (include dust collector) should be removed for cleaning.

Clean dust and debris from tool. Keep tool handles clean, dry and free of oil or grease. Use only mild soap and a damp cloth to clean the tool since certain cleaning agents and solvents are harmful



**GB**



to plastics and other insulated parts. Never use flammable or combustible solvents around tools.

Depending on the number of running hours – the dust filter should be renewed. Keep the machine clean with a dry cloth, and a small amount of spray polish.

Never spray water on to the upper section of the vacuum cleaner. Danger for persons, risk or short-circuiting.

For user servicing, the machine must be dismantled, cleaned and serviced, as far as is reasonably practicable, without causing risk to the maintenance staff and others. Suitable precautions include decontamination before dismantling, provision for local filtered exhaust ventilation where the machine is dismantled, cleaning of the maintenance area and suitable personal protection.

During maintenance and repair work all contaminated parts that could not be cleaned satisfactorily must be:

- Packed in well sealed bags
- Disposed of in a manner that complies with valid regulations for such waste removal.

The appliance should be regularly inspected by a qualified service technician. For example, check the filters for damage and check the airtightness of the machine and the proper functionality of the control mechanism.

The use of non-genuine spare parts, brushes and accessories can impair the safety and or function of the appliance. Use only Milwaukee accessories and Milwaukee spare parts. Should components need to be replaced which have not been described, please contact one of our Milwaukee service agents (see our list of guarantee/service addresses).

If needed, an exploded view of the tool can be ordered. Please state the Article No. as well as the machine type printed on the label and order the drawing at your local service agents or directly at: Techtronic Industries GmbH, Max-Eyth-Straße 10, 71364 Winnenden, Germany.

## STORAGE

The appliance must be stored in a dry place and protected from frost.

**CAUTION: This machine shall be stored indoors only.**

## EC-DECLARATION OF CONFORMITY

We declare under our sole responsibility that the product described under "Technical Data" fulfills all the relevant provisions of the directives

2011/65/EU (RoHS)

2006/42/EC

2014/30/EU

and the following harmonized standards have been used.

EN 60335-1:2012+A11:2014+A13:2017

EN 60335-2-69:2012

EN 62233:2008

EN 55014-1:2017

EN 55014-2:2015

EN 50581:2012



Winnenden, 2018-07-04

Alexander Krug / Managing Director  
Authorized to compile the technical file  
Techtronic Industries GmbH  
Max-Eyth-Straße 10, 71364 Winnenden, Germany

## SYMBOLS



CAUTION! WARNING! DANGER!



Remove the battery pack before starting any work on the appliance.



Please read the instructions carefully before starting the machine.



Please read the instructions carefully before starting the machine.



Accessory - Not included in standard equipment, available as an accessory.



WARNING: This machine is for dry use only.



Safety class III



Volts



Direct Current



Dust Class L (IEC 60335-2-69)

The dusts which belong to this class have OEL values  $> 1\text{mg}/\text{m}^3$



Do not dispose electric tools, batteries/rechargeable batteries together with household waste material.

Electric tools and batteries that have reached the end of their life must be collected separately and returned to an environmentally compatible recycling facility. Check with your local authority or retailer for recycling advice and collection point.



European Conformity Mark



Ukraine Conformity Mark



EurAsian Conformity Mark

TECHNISCHE DATEN	M18 FBPV
<b>Absaugsystem</b>	
Produktionsnummer	4693 26 01... ... 000001-999999
Spannung Wechselakku	18 V
Stromaufnahme	25 A
Leistungsaufnahme	380 W
Luftvolumenstrom	1557 l/min 93 m <sup>3</sup> /h
Unterdruck	18,9 kPa 189 mbar
Fassungsvermögen	3,8 l
Filtertyp	HEPA H13
Gewicht nach EPTA-Prozedur 01/2014 (Li-Ion 2,0 Ah ... 12,0 Ah)	8,43 kg ... 9,53 kg
Saugschlauchdurchmesser	36 mm
Empfohlene Umgebungstemperatur für den Betrieb	-18°C ... +50°C
Empfohlene Akku Typen	M18B... M18HB...
Empfohlene Ladegeräte	M12-18... M1418 C6
<b>Geräuschinformation</b>	
Messwerte ermittelt entsprechend ISO 4871. Der A-bewertete Geräuschpegel des Gerätes beträgt typischerweise:	
Schalldruckpegel LpA (Unsicherheit K=2dB(A))	65 dB (A)
Schallleistungspegel LWA (Unsicherheit K=2dB(A))	76 dB (A)
<b>Gehörschutz tragen!</b>	
<b>Vibrationsinformationen nach EN 60335-2-69</b>	
Schwingungsgesamtwerte (Vektorsumme dreier Richtungen) ermittelt entsprechend ISO 5349.	
Schwingungsemissionswert a <sub>h</sub>	0,15 m/s <sup>2</sup>
Unsicherheit K=	0,05 m/s <sup>2</sup>



**⚠️ WARNUNG! Lesen Sie die Betriebsanleitung sorgfältig, bevor Sie das Gerät benutzen. Lesen Sie alle Sicherheitshinweise und Anweisungen.**

Versäumnisse bei der Einhaltung der Sicherheitshinweise und Anweisungen können elektrischen Schlag, Brand und/oder schwere Verletzungen verursachen.

**WARNUNG: Der Anwender muss ausreichend über die Verwendung des Gerätes unterrichtet werden! Bewahren Sie alle Sicherheitshinweise und Anweisungen für die Zukunft auf.**

**⚠️ SICHERHEITSHINWEISE FÜR ABSAUGSYSTEM**

**Dieses Gerät ist nicht geeignet für die Verwendung durch Personen (einschließlich Kindern) mit verminderten körperlichen, sensorischen oder geistigen Fähigkeiten oder mangelnder Erfahrung bzw. Fachkenntnis. Kinder sind darüber hinaus zu beaufsichtigen, um sicherzustellen, dass sie nicht mit dem Gerät spielen. Reinigung und Benutzer-Wartung dürfen nicht durch Kinder ohne Beaufsichtigung durchgeführt werden.**

**Dieses Gerät darf nur unter Aufsicht betrieben werden.**

**Brand- und Explosionsgefahr!**

Generell dürfen keine brennbaren oder explosiven Lösungsmittel, Flüssigkeiten wie Benzin, Öl, Alkohol, Verdünnung und keine Teile (Metallspäne, Asche), mit einer Temperatur über 60 °C aufgesaugt werden; es besteht sonst Explosions- und Brandgefahr!

Das Gerät darf nicht in der Nähe von entflammenden Gasen und Substanzen verwendet werden

Düse, Schlauch oder Rohr nicht auf Menschen oder Tiere richten.

Haare, lose Kleidungsstücke und Körperteile nicht in die Nähe von Öffnungen oder beweglichen Teilen des Geräts bringen. Das Gerät nicht einsetzen, falls eine der Öffnungen blockiert ist und keine Gegenstände in die Öffnungen stecken. Die Öffnungen frei halten von Staub, Fusseln, Haaren und sonstigem Material, das den Luftstrom hemmen könnte.

**WARNUNG!** Um die durch einen Kurzschluss verursachte Gefahr eines Brandes, von Verletzungen oder Produktbeschädigungen zu vermeiden, tauchen Sie das Werkzeug, den Wechselakku oder das Ladegerät nicht in Flüssigkeiten ein und sorgen Sie dafür, dass keine Flüssigkeiten in die Geräte und Akkus eindringen. Korrodierende oder leitfähige Flüssigkeiten, wie Salzwasser, bestimmte Chemikalien und Bleichmittel oder Produkte, die Bleichmittel enthalten, können einen Kurzschluss verursachen.

Wechselakkus und Ladegeräte nicht öffnen und nur in trockenen Räumen lagern. Vor Nässe schützen.

Wechselakkus des Systems M18 nur mit Ladegeräten des Systems M18 laden. Keine Akkus aus anderen Systemen verwenden.

Das Bedienpersonal des Gerätes ist vor der Arbeit zu informieren über:

- die Handhabung des Geräts
- vom aufzusaugenden Material ausgehende Gefahren
- die sichere Beseitigung des aufgesaugten Materials

## BESTIMMUNGSGEMÄSSE VERWENDUNG

Dieser mobile Staubsauger wurde konstruiert, entwickelt und sorgfältig getestet, damit er effizient und sicher arbeitet, wenn er korrekt gewartet und gemäß den folgenden Anweisungen benutzt wird.

Das in dieser Betriebsanleitung beschriebene Gerät ist geeignet:

- für den gewerblichen Gebrauch, z.B. in Laboren, Hotels, Schulen, Krankenhäusern, Fabriken, Läden, Büros und Vermietergeschäften.
- für den industriellen Einsatz wie in Fabriken, auf Baustellen und in Werkstätten.
- zur Abscheidung von Staub mit einem Expositions-Grenzwert von größer als  $1\text{mg}/\text{m}^3$  (Staubklasse L).

**WARNUNG: Dieses Gerät ist nur für den Trockeneinsatz geeignet.**

Folgende Materialien dürfen nicht gesaugt werden:

- gesundheitsgefährliche Stäube der Klassen M und H
- heiße Materialien (glimmende Zigaretten, heiße Asche usw.)
- brennbare, explosive, aggressive Flüssigkeiten (z.B. Benzin, Lösungsmittel, Säuren, Laugen usw.)
- brennbare, explosive Stäube (z.B. Magnesium-, Aluminiumstaub usw.)



Für Geräte mit Staubklasse L (mit Typbezeichnungen -0L, -2L) gilt Folgendes:

- Das Gerät eignet sich zum Aufnehmen von trockenen, nicht entflammaren Stoffen mit MAK-Wert  $> 1\text{mg}/\text{m}^3$ .
- Staubklasse L (IEC 60335-2-69)
- Zu dieser Staubklasse gehören Stäube mit MAK-Werten  $> 1\text{mg}/\text{m}^3$
- Bei Geräten, die für die Staubklasse L bestimmt sind, wurde das Filtermaterial geprüft. Der maximale Durchlassgrad beträgt 1 %, es gelten keine besonderen Anforderungen für die Entsorgung.
- Beim Einsatz von Entstaubern muss auf eine ausreichende Luftaustauschrate L geachtet werden, wenn die Abluft des Saugers in den Raum geblasen wird.

Neben dieser Anleitung und den Bestimmungen zur Unfallverhütung in Ihrem Land sind auch die Bestimmungen zur Sicherheit und verantwortungsvollen Nutzung zu beachten.

Unfälle aufgrund missbräuchlicher Benutzung können nur durch die Benutzer verhindert werden.

### ALLE SICHERHEITSHINWEISE LESEN UND BEACHTEN.

Jegliche andere Verwendung gilt als unsachgemäße Verwendung. Der Hersteller übernimmt keinerlei Haftung für Schäden aus einer solchen Nutzung. Das Risiko für solche Nutzung obliegt allein dem Benutzer. Die zweckmäßige Verwendung beinhaltet den korrekten Betrieb sowie regelmäßige Wartung und Reparatur gemäß Anleitung des Herstellers.

## AKKUS

Längere Zeit nicht benutzte Wechselakkus vor Gebrauch nachladen.

Eine Temperatur über  $50^\circ\text{C}$  vermindert die Leistung des Wechselakkus. Längere Erwärmung durch Sonne oder Heizung vermeiden.

Die Anschlusskontakte an Ladegerät und Wechselakku sauber halten.

Für eine optimale Lebensdauer müssen nach dem Gebrauch die Akkus voll geladen werden.

Für eine möglichst lange Lebensdauer sollten die Akkus nach dem Aufladen aus dem Ladegerät entfernt werden.

Bei Lagerung des Akkus länger als 30 Tage: Akku bei ca.  $27^\circ\text{C}$  und trocken lagern. Akku bei ca. 30%-50% des Ladezustandes lagern. Akku alle 6 Monate erneut aufladen.

Nicht wiederaufladbare Batterien dürfen nicht geladen werden.

Wiederaufladbare Batterien müssen vor dem Laden aus dem Gerät entfernt werden.

Leere Batterien müssen aus dem Gerät entfernt und sicher entsorgt werden.

Wenn das Gerät längere Zeit gelagert wird, sollten die Batterien entfernt werden.

Die Anschlusskontakte dürfen nicht kurzgeschlossen werden.

## TRANSPORT VON LITHIUM-IONEN-AKKUS

Lithium-Ionen-Akkus fallen unter die gesetzlichen Bestimmungen zum Gefahrguttransport.

Der Transport dieser Akkus muss unter Einhaltung der lokalen, nationalen und internationalen Vorschriften und Bestimmungen erfolgen.

Verbraucher dürfen diese Akkus ohne Weiteres auf der Straße transportieren.

Der kommerzielle Transport von Lithium-Ionen-Akkus durch Speditionsunternehmen unterliegt den Bestimmungen des Gefahrguttransports. Die Versandvorbereitungen und der Transport dürfen ausschließlich von entsprechend geschulten Personen durchgeführt werden. Der gesamte Prozess muss fachmännisch begleitet werden.

Folgende Punkte sind beim Transport von Akkus zu beachten:

Stellen Sie sicher, dass die Kontakte geschützt und isoliert sind, um Kurzschlüsse zu vermeiden. Achten Sie darauf, dass der Akkupack innerhalb der Verpackung nicht verrutschen kann. Beschädigte oder auslaufende Akkus dürfen nicht transportiert werden. Wenden Sie sich für weitere Hinweise an Ihr Speditionsunternehmen.

## AKKUÜBERLASTSCHUTZ

Bei Überlastung des Akkus durch sehr hohen Stromverbrauch, z.B. extrem hohe Drehmomente, Verklemmen des Einsatzwerkzeuges, plötzlichem Stopp oder Kurzschluss, stoppt das Elektrowerkzeug 2 Sekunden lang und schaltet sich selbsttätig ab.

Zum Wiedereinschalten, den Schalterdrücker loslassen und dann wieder einschalten.

Unter extremen Belastungen erhitzt sich der Akku zu stark. In diesem Fall blinken alle Lampen der Ladeanzeige bis der Akkupack abgekühlt ist. Nach Erlöschen der Ladeanzeige kann weitergearbeitet werden.

Den Akku dann in das Ladegerät stecken um ihn wieder aufzuladen und zu aktivieren.

## ARBEITSHINWEISE

Gerät nur in unbeschädigtem Zustand in Betrieb nehmen. Nie ohne Filter oder mit beschädigtem Filter saugen.

Keine unsicheren Arbeitsmethoden einsetzen.

Bei der Reinigung auf Treppen besonders vorsichtig sein.

Filterelemente, Filtersäcke oder Entsorgungssäcke in Übereinstimmung mit den nationalen Vorschriften entsorgen.

**ACHTUNG: Dieses Gerät ist nur zur Verwendung in Innenräumen geeignet**

Am Arbeitsplatz für ausreichende Lüftung sorgen.

Wenn das Gerät nicht richtig funktioniert, es heruntergefallen oder beschädigt ist, wenn es im Freien gestanden hat oder ins Wasser gefallen ist, muss es zu einer Servicewerkstatt oder einem Händler gebracht werden.

## WARTUNG, REINIGUNG UND REPARATUR

Vor allen Arbeiten am Gerät den Wechselakku herausnehmen.

Nur Wartungsarbeiten ausführen, die in der Betriebsanleitung beschrieben sind.

Stets die Lüftungsschlitze der Maschine sauber halten.

Die abnehmbaren Teile (einschließlich Staubsammelbehälter) sollten zur Reinigung entfernt werden.

Staub und Schmutz vom Gerät stets entfernen. Den Handgriff sauber, trocken und frei von Öl oder Fett halten. Reinigungs- und Lösungsmittel sind schädlich für Kunststoffe und andere isolierende Teile, deshalb nur mit einer milden Seife und einem feuchten Tuch das Gerät reinigen. Verwenden Sie niemals brennbare Lösungsmittel in der Nähe des Gerätes.

Abhängig von der Betriebsdauer müssen die Staubfilter ausgetauscht werden. Den Behälter sauber halten. Dazu ein trockenes Tuch und ein wenig Spraypolitur verwenden.

Das Saugeroberteil niemals mit Wasser abspritzen Gefahr für Personen, Kurzschlussgefahr.

Für Pflege- und Wartungsarbeiten durch den Benutzer kann das Gerät auseinander montiert, gereinigt und gewartet werden, soweit dies vertretbar ist und ohne dass dabei eine Gefährdung für das Wartungspersonal oder andere Personen entsteht. Vor der Demontage sollten folgende Sicherheitsvorkehrungen getroffen werden: Dekontaminierung, Bereitstellung einer lokalen Abluftanlage am Ort der Wartungsarbeiten, Reinigung der Wartungsortlichkeit und angemessene persönliche Schutzausrüstung.

Während der Wartung und bei Reparaturen müssen alle kontaminierten Teile, die nicht ausreichend gereinigt werden konnten:

- In gut abgedichteten Beuteln verpackt werden
- Entsprechend den geltenden Vorschriften für solche Stoffe entsorgt werden.

Regelmäßig sollte eine technische Überprüfung durch einen entsprechend qualifizierten Fachmann erfolgen. Dabei sollten z. B. die Filter auf eventuelle Schäden überprüft werden und es sollten die Luftdichtigkeit des Geräts und die ordnungsgemäße Funktion des Steuerungsmechanismus kontrolliert werden.

Die Verwendung von nicht originalen Ersatzteilen und Zubehör kann die Sicherheit des Geräts beeinträchtigen. Nur Milwaukee Zubehör und Milwaukee Ersatzteile verwenden. Bauteile, deren Austausch nicht beschrieben wurde, bei einer Milwaukee Kundendienststelle auswechseln lassen (Broschüre Garantie/Kundendienstadressen beachten).

Bei Bedarf kann eine Explosionszeichnung des Gerätes unter Angabe der Maschinen Type und der sechsstelligen Nummer auf dem Leistungsschild bei Ihrer Kundendienststelle oder direkt bei Techtronic Industries GmbH, Max-Eyth-Straße 10, 71364 Winnenden, Germany angefordert werden.

## LAGERUNG

Das Gerät trocken und frostgeschützt lagern.

**ACHTUNG: Dieses Gerät darf nur in Innenräumen gelagert werden.**

## CE-KONFORMITÄTSERKLÄRUNG

Wir erklären in alleiniger Verantwortung, dass das unter „Technische Daten“ beschriebene Produkt mit allen relevanten Vorschriften der Richtlinien

2011/65/EU (RoHS)

2006/42/EG

2014/30/EU

und den folgenden harmonisierten normativen Dokumenten übereinstimmt

EN 60335-1:2012+A11:2014+A13:2017

EN 60335-2-69:2012

EN 62233:2008

EN 55014-1:2017

EN 55014-2:2015

EN 50581:2012



Winnenden, 2018-07-04

Alexander Krug / Managing Director

Bevollmächtigt die technischen Unterlagen zusammenzustellen.

Techtronic Industries GmbH

Max-Eyth-Straße 10, 71364 Winnenden, Germany



## SYMBOLE



ACHTUNG! WARNUNG! GEFAHR!



Vor allen Arbeiten am Gerät den Wechselakku herausnehmen.



Bitte lesen Sie die Gebrauchsanweisung vor Inbetriebnahme sorgfältig durch.



Bitte lesen Sie die Gebrauchsanweisung vor Inbetriebnahme sorgfältig durch.



Zubehör - Im Lieferumfang nicht enthalten, empfohlene Ergänzung aus dem Zubehörprogramm.



WARNUNG: Dieses Gerät ist nur für den Trockeneinsatz geeignet.



Schutzklasse III

**V**

Spannung



Gleichstrom



Staubklasse L (IEC 60335-2-69)

Zu dieser Staubklasse gehören Stäube mit MAK-Werten  $> 1 \text{ mg/m}^3$



Elektrogeräte, Batterien/Akkus dürfen nicht zusammen mit dem Hausmüll entsorgt werden. Elektrische Geräte und Akkus sind getrennt zu sammeln und zur umweltgerechten Entsorgung bei einem Verwertungsbetrieb abzugeben. Erkundigen Sie sich bei den örtlichen Behörden oder bei Ihrem Fachhändler nach Recyclinghöfen und Sammelstellen.



Europäisches Konformitätszeichen



Ukrainisches Konformitätszeichen



Euroasiatisches Konformitätszeichen

CARACTÉRISTIQUES TECHNIQUES	M18 FBPV
<b>Système d'Aspiration</b>	
Numéro de série	4693 26 01... ... 000001-999999
Tension accu interchangeable	18 V
Ampères	25 A
Puissance absorbée	380 W
Jet d'air volumétrique	1557 l/min 93 m <sup>3</sup> /h
Sous-pression	18,9 kPa 189 mbar
Contenance	3,8 l
Type de filtre	HEPA H13
Poids suivant EPTA-Procédure 01/2014 (Li-Ion 2,0 Ah ... 12,0 Ah)	8,43 kg ... 9,53 kg
Diamètre du tuyau d'aspiration	36 mm
Température ambiante conseillée pour le fonctionnement	-18°C ... +50°C
Batteries conseillées	M18B... M18HB...
Chargeurs conseillés	M12-18... M1418 C6
<b>Informations sur le bruit</b>	
Valeurs de mesure obtenues conformément à la ISO 4871. Les mesures réelles (des niveaux acoustiques de l'appareil) sont :	
Niveau de pression acoustique LpA (Incertitude K=2dB(A))	65 dB (A)
Niveau d'intensité acoustique LWA (Incertitude K=2dB(A))	76 dB (A)
<b>Toujours porter une protection acoustique!</b>	
<b>Informations sur les vibrations selon EN 60335-2-69</b>	
Valeurs totales des vibrations (somme vectorielle de trois sens) établies conformément à ISO 5349.	
Valeur d'émission vibratoire a <sub>h</sub>	0,15 m/s <sup>2</sup>
Incertitude K=	0,05 m/s <sup>2</sup>



**⚠ AVERTISSEMENT! Lisez attentivement le mode d'emploi avant d'utiliser l'appareil. Lisez toutes les consignes de sécurité et les instructions.**

Le non-respect des avertissements et instructions indiqués ci après peut entraîner un choc électrique, un incendie et/ou de graves blessures sur les personnes.

**AVIS: L'utilisateur devra être informé exhaustivement sur l'emploi de l'appareil!**

**Bien garder tous les avertissements et instructions.**

#### **⚠ INSTRUCTIONS DE SÉCURITÉ PARTICULIÈRES** **SYSTÈME D'ASPIRATION**

**Cet appareil n'est pas apte à être utilisé par des personnes (enfants compris) avec des capacités physiques, sensorielles ou intellectuelles diminuées ou ne possédant pas l'expérience et/ou une connaissance spécifique. En plus les enfants doivent être surveillés pour s'assurer qu'ils ne jouent pas avec l'appareil. Le nettoyage et la maintenance ne doivent pas être effectués par des enfants sans surveillance. Cet appareil ne doit être utilisé que sous surveillance.**

#### **Risque d'incendie et d'explosion!**

En règle générale, ne jamais aspirer de produits solvants inflammables ou explosifs, de liquides tels que l'essence, l'huile, l'alcool, dilution et petites pièces (copeaux métalliques, cendres) à une température supérieure à 60°C car dans le cas contraire, il y a un risque d'explosion et d'incendie!

Ne jamais utiliser l'appareil à proximité de gaz et substances inflammables.

Ne pas diriger le suceur, le flexible ou le tube sur des personnes ou des animaux.

Tenez les cheveux, les vêtements amples, les doigts et toutes les parties du corps distance des ouvertures et des parties mobiles. Ne pas insérer d'objets dans les ouvertures ou ne pas utiliser avec les ouvertures bloquées. Veillez à ce que les ouvertures ne soient jamais obstruées par de la poussière, de la peluche, des cheveux ou quoi que ce soit risquant de réduire le flux d'air.

**AVERTISSEMENT!** Pour réduire le risque d'incendie, de blessures corporelles et de dommages cau-sés par un court-circuit, ne jamais immerger l'outil, le bloc-piles ou le chargeur dans un liquide ou laisser couler un fluide à l'intérieur de celui-ci. Les fluides corrosifs ou conducteurs, tels que l'eau de mer, certains produits chim-iques industriels, les produits de blanchiment ou de blanchi-ment, etc., Peuvent provoquer un court-circuit.

Ne pas ouvrir les accus interchangeables et les chargeurs et ne les stocker que dans des locaux secs. Les protéger contre l'humidité.

Ne charger les accus interchangeables du système M18 qu'avec le chargeur d'accus du système M18. N'utilisez pas de batteries provenant d'autres systèmes.

Avant de commencer le travail, le personnel d'exécution doit être informé ou formé en matière de :

- utilisation de la machine
- risques associés aux substances à ramasser
- élimination sûre des substances ramassées

## UTILISATION CONFORME AUX PRESCRIPTIONS

Cet extracteur de poussière mobile est conçu, développé et soumis à des tests stricts pour fonctionner de manière efficace et sûre lorsqu'il est correctement entretenu et utilisé conformément aux instructions ci-après.

Les appareils décrits dans cette notice conviennent à

- l'usage industriel, p. ex. dans des hôtels, écoles, hôpitaux, usines, magasins, bureaux et agences de location
- l'utilisation industrielle, comme par exemple les usines, les chantiers de construction et les ateliers.
- la séparation de poussières de toute nature soumises à une valeur limite d'exposition supérieure à  $1\text{mg}/\text{m}^3$  (classe de poussières L).

**AVIS: Cet appareil est uniquement apte à une utilisation à sec.**

Il est interdit d'aspirer les matières suivantes :

- les poussières dangereuses qui appartiennent aux classes M et H
- matières brûlantes (cigarettes incandescentes, cendres chaudes etc.)
- liquides inflammables, explosifs, agressifs (p. ex. essence, solvants, acides, bases etc.)
- poussières inflammables, explosives (p. ex. poussière de magnésium, d'aluminium etc.)



Pour les machines de classe de poussières L (avec désignation de type -0L, -2L), les dispositions suivantes s'appliquent :

- L'appareil convient pour l'aspiration des poussières sèches, ininflammables, des poussières dangereuses avec une valeur OEL  $> 1\text{mg}/\text{m}^3$ .
- Classe de poussières L (IEC 60335-2-69)
- Les poussières, qui appartiennent à cette classe, ont des valeurs OEL  $> 1\text{mg}/\text{m}^3$
- Pour les machines destinées à la classe de poussières L, le matériau filtrant est testé. Le degré maximal de perméabilité est de 1% et il n'y a pas d'exigence particulière pour l'élimination.
- Pour le système d'aspiration, assurez-vous que le taux de renouvellement d'air L est suffisant lorsque l'air évacué est renvoyé dans la pièce.

En dehors des instructions d'utilisation et des réglementations de prévention des accidents applicables obligatoirement dans le pays d'utilisation, observer les règles admises de sécurité et de conformité d'utilisation.

Les accidents dus à une mauvaise utilisation ne peuvent être évités que par ceux qui utilisent la machine.

### LISEZ ET SUIVEZ LES INSTRUCTIONS DE SÉCURITÉ.

Toute autre utilisation est considérée comme non-conforme. Le fabricant ne pourra pas être tenu pour responsable des dommages liés à une telle utilisation. Ce risque est uniquement supporté par l'utilisateur. L'utilisation correcte inclut le bon fonctionnement, la maintenance et les réparations spécifiés par le fabricant.

## ACCUS

Recharger les accus avant utilisation après une longue période de non utilisation.

Une température supérieure à  $50^\circ\text{C}$  amoindrit la capacité des accus. Éviter les expositions prolongées au soleil ou au chauffage.

Tenir propres les contacts des accus et des chargeurs.

Pour une durée de vie optimale, les accus doivent être chargés à fond après l'utilisation.

Pour une plus longue durée de vie, enlever les batteries du chargeur de batterie quand celles-ci seront chargées.

En cas d'entreposage de la batterie pour plus de 30 jours: Entreposer la batterie à  $27^\circ\text{C}$  environ dans un endroit sec. Entreposer la batterie avec une charge d'environ 30% - 50%. Recharger la batterie tous les 6 mois.

Les batteries non rechargeables ne doivent pas être rechargées.

Il faut enlever du dispositif les batteries rechargeables avant de les recharger.

Il faut enlever du dispositif les batteries épuisées et il faut les éliminer en sécurité.

En cas de stockage prolongé du dispositif, enlever les batteries.

Les contacts de connexion ne doivent pas être court-circuités.

## TRANSPORT DE BATTERIES LITHIUM-ION

Les batteries lithium-ion sont soumises aux dispositions législatives concernant le transport de produits dangereux.

Le transport de ces batteries devra s'effectuer dans le respect des dispositions et des normes locales, nationales et internationales.

Les utilisateurs peuvent transporter ces batteries sans restrictions.

Le transport commercial de batteries lithium-ion est réglé par les dispositions concernant le transport de produits dangereux. La préparation au transport et le transport devront être effectués uniquement par du personnel formé de façon adéquate. Tout le procédé devra être géré d'une manière professionnelle.

Durant le transport de batteries il faut respecter les consignes suivantes :

S'assurer que les contacts soient protégés et isolés en vue d'éviter des courts-circuits. S'assurer que le groupe de batteries ne puisse pas se déplacer à l'intérieur de son emballage. Des batteries endommagées ou des batteries perdant du liquide ne devront pas être transportées. Pour tout renseignement complémentaire veuillez vous adresser à votre transporteur professionnel.

## PROTECTION DE L'ACCU CONTRE LES SURCHARGES

Au cas de surcharge de la batterie à cause d'une consommation d'énergie électrique très élevée, par ex. en présence de valeurs de couple très élevées, blocage de l'outil, arrêt soudain ou court-circuit, l'outil électrique s'arrêtera pour 2 secondes et ensuite se désactivera automatiquement.

Pour le ré-enclencher, relâcher le poussoir de l'interrupteur, puis enclencher à nouveau l'appareil.

Sous des sollicitations extrêmes, l'accu s'échauffe trop fortement. Dans ce cas, tous les témoins de l'indicateur de charge clignotent jusqu'à ce que l'accu se soit refroidi. Il est possible de continuer à travailler dès que l'indicateur de charge s'est éteint.

Mettre alors l'accu en place dans le chargeur pour le recharger et l'activer.

## CONSIGNES DE TRAVAIL

Utiliser le dispositif seulement s'il est en parfait état. N'aspirez jamais sans le filtre ou avec un filtre endommagé.

Ne pas utiliser de techniques de travail à risque.

Faire plus d'attention pendant le nettoyage des escaliers.

Jeter éléments filtrants, sacs filtrants et des sacs d'évacuation en conformité avec les réglementations nationales.

**ATTENTION : Cet appareil est uniquement apte à une utilisation en milieu intérieur.**

Assurez une ventilation suffisante du lieu de travail.

Si la machine ne fonctionne pas correctement, a fait l'objet d'une chute, a été endommagé, laissé en plein air ou immergé, le retourner dans un centre technique ou un distributeur.

## MAINTENANCE, NETTOYAGE ET RÉPARATION

Avant tous travaux sur l'appareil retirer l'accu interchangeable.

Exécutez seulement les travaux de maintenance qui sont décrits dans cette notice.

Tenir toujours propres les orifices de ventilation de la machine.

Les pièces détachables (y compris le système d'aspiration) doivent être enlevées pour le nettoyage.

Toujours supprimer la poussière et les saletés de l'appareil. Veiller à ce que la poignée reste propre, sèche ainsi qu'exempte d'huile ou de graisse. Les produits de nettoyage et les solvants sont nocifs pour les matières plastiques et d'autres composants isolants et c'est pourquoi il convient de nettoyer l'appareil seulement avec un savon doux et un chiffon humide. Ne jamais utiliser de solvants combustibles à proximité de l'appareil.

En fonction du nombre d'heures de fonctionnement, le filtre anti-poussière doit être remplacé. Gardez la machine propre avec un chiffon sec et une petite quantité de produit qui fait briller en aérosol.

Ne projetez jamais d'eau sur la partie supérieure de l'aspirateur : danger pour les personnes, risque de court-circuit.

La machine doit être démontée, nettoyée et entretenue dans la mesure du possible sans mettre en péril le personnel de maintenance ni une tierce personne. Parmi les précautions appropriées figurent la décontamination avant démontage, la présence d'une ventilation locale par aspiration dans la pièce de démontage de la machine, le nettoyage de la zone de maintenance et une protection individuelle appropriée.

Pendant les travaux d'entretien et de réparation, toutes les pièces contaminées, qui n'ont pas pu être nettoyées de manière satisfaisante, doivent être :

- Emballées dans des sacs bien scellés
- Éliminées d'une manière conforme à la réglementation en vigueur pour l'élimination de ces déchets.

L'appareil doit être régulièrement inspecté par un technicien d'entretien qualifié. Par exemple, vérifiez que les filtres ne sont pas endommagés et vérifiez l'étanchéité de l'appareil et le bon fonctionnement du mécanisme de contrôle.

L'utilisation de pièces de rechange, de brosses et d'accessoires non originaux peut avoir une influence négative sur la sécurité et / ou le fonctionnement de l'appareil. Utiliser uniquement les accessoires Milwaukee et les pièces détachées Milwaukee. Faire remplacer les composants dont le remplacement n'a pas été décrit, par un des centres de service après-vente Milwaukee (observer la brochure avec les adresses de garantie et de service après-vente).

Si besoin est, une vue éclatée de l'appareil peut être fournie. S'adresser, en indiquant bien le numéro porté sur la plaque signalétique, à votre station de service après-vente (voir liste jointe) ou directement à Techtronic Industries GmbH, Max-Eyth-Straße 10, 71364 Winnenden, Germany.

## ENTREPOSAGE

L'appareil doit être – stockés dans un endroit sec et protégé du gel.

**ATTENTION : Cet appareil doit être stocké uniquement en milieu intérieur.**

## DÉCLARATION CE DE CONFORMITÉ

Nous déclarons, sous notre responsabilité exclusive, que le produit décrit ici dans les « Caractéristiques techniques » satisfait à toutes les dispositions pertinentes des directives

2011/65/UE (RoHS)

2006/42/CE

2014/30/UE

et que les normes harmonisées suivantes ont été appliquées.

EN 60335-1:2012+A11:2014+A13:2017

EN 60335-2-69:2012

EN 62233:2008

EN 55014-1:2017

EN 55014-2:2015

EN 50581:2012



Winnenden, 2018-07-04

Alexander Krug / Managing Director

Autorisé à compiler la documentation technique.

Techtronic Industries GmbH

Max-Eyth-Straße 10, 71364 Winnenden, Germany





## SYMBLES



ATTENTION! AVERTISSEMENT! DANGER!



Avant tous travaux sur l'appareil retirer l'accu interchangeable.



Veillez lire avec soin le mode d'emploi avant la mise en service



Veillez lire avec soin le mode d'emploi avant la mise en service



Accessoires - Ces pièces ne font pas partie de la livraison. Il s'agit là de compléments recommandés pour votre machine et énumérés dans le catalogue des accessoires.



AVIS: Cet appareil est uniquement apte à une utilisation à sec.



Classe de protection III

**V** Tension (V c.a.)

 Courant continu



Classe de poussières L (IEC 60335-2-69)

Les poussières, qui appartiennent à cette classe, ont des valeurs OEL > 1mg/m<sup>3</sup>



Les dispositifs électriques, les batteries et les batteries rechargeables ne sont pas à éliminer dans les déchets ménagers. Les dispositifs électriques et les batteries sont à collecter séparément et à remettre à un centre de recyclage en vue de leur élimination dans le respect de l'environnement. S'adresser aux autorités locales ou au détaillant spécialisé en vue de connaître l'emplacement des centres de recyclage et des points de collecte.



Marque de conformité européenne



Marque de conformité ukrainienne



Marque de conformité d'Eurasie

DATI TECNICI	M18 FBPV
<b>Sistema aspirazione</b>	
Numero di serie	4693 26 01... ... 000001-999999
Tensione batteria	18 V
Ampere	25 A
Potenza assorbita	380 W
Flusso d'aria volumetrico	1557 l/min 93 m <sup>3</sup> /h
Depressione	18,9 kPa 189 mbar
Capacità	3,8 l
Tipo di filtro	HEPA H13
Peso secondo la procedura EPTA 01/2014 (Li-Ion 2,0 Ah ... 12,0 Ah)	8,43 kg ... 9,53 kg
Diametro tubo d'aspirazione	36 mm
Temperatura ambiente consigliata per il funzionamento	-18°C ... +50°C
Batterie consigliate	M18B... M18HB...
Caricatori consigliati	M12-18... M1418 C6
<b>Informazioni sulla rumorosità</b>	
Valori misurati conformemente alla norma ISO 4871. La misurazione A del livello di pressione acustica dell'utensile è di solito di:	
Livello di rumorosità LpA (Incertezza della misura K=2dB(A))	65 dB (A)
Potenza della rumorosità LWA (Incertezza della misura K=2dB(A))	76 dB (A)
<b>Utilizzare le protezioni per l'udito!</b>	
<b>Informazioni sulle vibrazioni ai sensi della norma EN 60335-2-69</b>	
Valori totali delle oscillazioni (somma di vettori in tre direzioni) misurati conformemente alla norma ISO 5349.	
Valore di emissione dell'oscillazione a <sub>h</sub>	0,15 m/s <sup>2</sup>
Incertezza della misura K=	0,05 m/s <sup>2</sup>



**⚠ AVVERTENZA! Leggere attentamente il manuale d'istruzione prima di usare l'apparecchio. E' necessario leggere tutte le indicazioni di sicurezza e le istruzioni.** In caso di mancato rispetto delle avvertenze di pericolo e delle istruzioni operative si potrà creare il pericolo di scosse elettriche, incendi e/o incidenti gravi.

**AVVISO: L'utente deve essere istruito esaurientemente sull'uso del dispositivo!**

**Conservare tutte le avvertenze di pericolo e le istruzioni operative per ogni esigenza futura.**

#### **⚠ NORME DI SICUREZZA SISTEMA ASPIRAZIONE**

**Questo dispositivo non è idoneo all'uso da parte di persone (bambini compresi) con capacità fisiche, sensoriali o mentali ridotte o con mancanza di esperienza e/o conoscenza specifica. Inoltre i bambini devono essere sorvegliati per accertarsi che non giochino con il dispositivo. Le operazioni di pulizia e di manutenzione non devono essere effettuate dai bambini senza la supervisione di un adulto.**

**Questo apparecchio può essere utilizzato solo sotto supervisione.**

#### **Pericolo di incendio e di esplosione!**

In generale, non dovranno essere aspirate né sostanze esplosive o infiammabili come solventi, benzina, alcool, né trucioli di metallo o cenere aventi una temperatura superiore ai 605°C, pena il rischio di incendio ed esplosione.

L'apparecchiatura non deve essere usata nelle vicinanze di gas o altre sostanze infiammabili.

Non puntare la bocchetta, il tubo flessibile o il tubo su persone o animali.

Tenere i capelli, i vestiti non aderenti, le dita e tutte le parti del corpo lontano dalle aperture e dalle parti in movimento. Non infilare oggetti nelle aperture e non usare l'apparecchio con l'apertura bloccata. Tenere le aperture prive di polvere, pelucchi, capelli, e ogni altra cosa che possa ridurre il flusso di aria.

**AVVERTENZA!** Per ridurre il rischio d'incendio, di lesioni o di danni al prodotto causati da corto circuito, non immergere mai l'utensile, la batteria ricaricabile o il carica batterie in un liquido e non lasciare mai penetrare alcun liquido all'interno dei dispositivi e delle batterie. I fluidi corrosivi o conduttori come acqua salata, alcuni agenti chimici, agenti candeggianti o prodotti contenenti agenti candeggianti potrebbero provocare un corto circuito.

Non aprire né la batteria né il caricatore e conservarli solo in luogo asciutto. Proteggerli dalla umidità.

Le batterie del System M18 sono ricaricabili esclusivamente con i caricatori del System M18. Non utilizzare batterie di altri sistemi.

Prima di iniziare il lavoro, il personale addetto al funzionamento deve essere informato e addestrato in merito a:

- utilizzo della macchina
- rischi associati al materiale da aspirare
- smaltimento sicuro del materiale aspirato

## UTILIZZO CONFORME

Questo estrattore di polvere mobile è stato progettato, sviluppato e testato rigorosamente per funzionare in maniera efficiente e sicura se mantenuto e utilizzato secondo le seguenti istruzioni.

Gli apparecchi descritti nelle presenti istruzioni per l'uso sono adatti

- per l'uso professionale, per es. negli hotel, scuole, ospedali, fabbriche, negozi, uffici e noleggi.
- uso industriale, ad esempio impianti, cantieri e officine.
- per la separazione di polvere con un valore limite di deflagrazione maggiore di  $1 \text{ mg/m}^3$  (categoria di polvere L).

**AVVISO: Questo dispositivo è idoneo soltanto all'uso a secco.**

Non è permessa l'aspirazione dei seguenti materiali

- polveri pericolose appartenenti alle classi M e H
- sul trattamento dell'apparecchio
- sui pericoli provenienti dai materiali da aspirarsi
- sul sicuro smaltimento del materiale aspirato



Per macchinari con polveri di classe L (con denominazione del tipo -0L, -2L) si applica quanto segue:

- L'apparecchio è destinato all'aspirazione di polveri secche e non infiammabili e di polveri pericolose con valore LEP  $> 1 \text{ mg/m}^3$ .
- Classe di polveri L (IEC 60335-2-69)
- Le polveri appartenenti a questa classe hanno valori LEP  $> 1 \text{ mg/m}^3$
- Per macchinari destinati alle polveri di classe L, il materiale del filtro è testato. Il livello massimo di permeabilità è dell'1% e non ci sono requisiti speciali per quanto riguarda lo smaltimento.
- Per gli aspirapolvere, assicurarsi un tasso di ricambio dell'aria L quando l'aria di scarico viene ricondotta nella stanza.

Oltre alle istruzioni per l'uso e alle normative per la prevenzione degli incidenti in vigore nel paese di utilizzo, è necessario osservare i regolamenti riconosciuti relativi alla sicurezza e al corretto utilizzo.

Gli incidenti dovuti a un utilizzo scorretto possono essere prevenuti esclusivamente da coloro che utilizzano l'apparecchio.

### LEGGERE E SEGUIRE TUTTE LE ISTRUZIONI DI SICUREZZA

Ogni altro uso è considerato come uso improprio. Il produttore declina ogni responsabilità per eventuali danni derivanti da tale uso. Il rischio associato a tale uso è esclusivamente a carico dell'utilizzatore. L'uso corretto include anche il funzionamento, la manutenzione e le riparazioni corretti così come specificato dal produttore.

## BATTERIE

Batterie non utilizzate per molto tempo devono essere ricaricate prima dell'uso.

A temperature superiori ai  $50^\circ\text{C}$ , la potenza della batteria si riduce.

Evitare di esporre l'accumulatore a surriscaldamento prolungato, dovuto ad esempio ai raggi del sole o ad un impianto di riscaldamento.

Per una ottimale vita utile è necessario ricaricare completamente le batterie dopo l'uso.

Per una più lunga durata, rimuovere le batterie dal caricabatterie quando saranno cariche.

In caso di immagazzinaggio della batteria per più di 30 giorni: Immagazzinare la batteria a circa  $27^\circ\text{C}$  in ambiente asciutto.

Immagazzinare la batteria con carica di circa il 30% - 50%. Ricaricare la batteria ogni 6 mesi.

Le batterie non ricaricabili non devono essere ricaricate.

Le batterie ricaricabili devono essere rimosse dal dispositivo prima di essere ricaricate.

Le batterie esaurite devono essere rimosse dal dispositivo e devono essere smaltite in sicurezza.

Rimuovere le batterie se il dispositivo viene immagazzinato per un periodo prolungato.

I contatti di collegamento non devono essere cortocircuitati.

## TRASPORTO DI BATTERIE AGLI IONI DI LITIO

Le batterie agli ioni di litio sono soggette alle disposizioni di legge sul trasporto di merce pericolosa.

Il trasporto di queste batterie deve avvenire rispettando le disposizioni e norme locali, nazionali ed internazionali.

Gli utilizzatori possono trasportare queste batterie su strada senza alcuna restrizione.

Il trasporto commerciale di batterie agli ioni di litio è regolato dalle disposizioni sul trasporto di merce pericolosa. Le preparazioni al trasporto ed il trasporto stesso devono essere svolti esclusivamente da persone idoneamente istruite. Tutto il processo deve essere gestito in maniera professionale.

Durante il trasporto di batterie occorre tenere conto di quanto segue:

Assicurarsi che i contatti siano protetti ed isolati per evitare cortocircuiti. Accertarsi che il gruppo di batterie non possa spostarsi all'interno dell'imballaggio. Batterie danneggiate o batterie che perdono liquido non devono essere trasportate. Per ulteriori informazioni si prega di contattare il proprio trasportatore.

## DISPOSITIVO ANTISOVRACCARICO ACCUMULATORE

In caso di sovraccarico della batteria a causa di consumo elettrico molto elevato, ad es. per valori di coppia molto elevati, inceppamento dell'utensile ad inserto, arresto improvviso o corto circuito, l'elettrotensile si arresta per 2 secondi e si disattiva automaticamente.

Per riaccenderlo rilasciare l'interruttore e poi riaccenderlo.

Se sottoposto a sollecitazioni estreme l'accumulatore si riscalda eccessivamente. In questo caso lampeggiano tutte le spie del display di carica finché l'accumulatore non è raffreddato. Quando il display di carica si spegne si può continuare a lavorare.

Inserire l'accumulatore nell'apparecchio carica-batterie per ricaricarlo e attivarlo.

## ISTRUZIONI DI LAVORO

Utilizzare il dispositivo solo se è in perfette condizioni. Non aspirare mai senza filtro o con filtro danneggiato.

Evitare ogni tecnica di lavoro non sicura.

Prestare particolare attenzione quando si puliscono le scale.

Scartare gli elementi filtranti, sacchetti filtro e sacchetti di smaltimento secondo le normative nazionali.

**ATTENZIONE: Questo dispositivo è idoneo soltanto all'uso in ambienti interni.**

Garantire una buona ventilazione presso il luogo di lavoro.

Se la macchina non funziona correttamente o è stata fatta cadere, danneggiata, lasciata all'aperto o fatta cadere in acqua, portarla presso un centro di assistenza o il rivenditore.

## MANUTENZIONE, PULIZIA E RIPARAZIONE

Prima di iniziare togliere la batteria dalla apparecchiatura.

Solo quei lavori di manutenzione che sono descritti nelle istruzioni sull'uso.

Tener sempre ben pulite le fessure di ventilazione dell'apparecchio. Le parti staccabili (incluso il collettore per la polvere) devono essere rimosse per la pulizia.

Polvere e sporczia devono essere sempre tenute lontane dall'apparecchio. Tenere l'impugnatura pulita, asciutta e libera da oli o grassi. Detergenti e solventi sono dannosi alla plastica e ad altre parti isolanti, pertanto pulire l'apparecchio soltanto con sapone neutro ed un panno umido. Non usare mai solventi infiammabili nelle vicinanze dell'apparecchio.

A seconda del numero di ore di esercizio, è necessario sostituire il filtro per la polvere. Pulire l'apparecchio con un panno asciutto e una piccola quantità di detergente spray.

Mai spruzzare con acqua la parte superiore dell'aspiratore. Pericolo per le persone, pericolo di cortocircuito.

Per la manutenzione, è necessario smontare, pulire e sottoporre a manutenzione la macchina per quanto ragionevolmente possibile senza provocare rischi al personale di manutenzione e ad altri. Fra le precauzioni idonee si consiglia di procedere a una decontaminazione prima dello smontaggio, di dotare di ventilazione per lo scarico del materiale filtrato nel locale in cui si smonta la macchina, di pulire l'area di manutenzione e usare mezzi idonei di protezione individuale.

Durante la manutenzione e i lavori di riparazione, tutte le parti contaminate che non sono state pulite in modo soddisfacente devono:

- Essere imballate in sacchetti ben sigillati
- Essere smaltite conformemente ai regolamenti in vigore per la rimozione di tali rifiuti.

L'apparecchio deve essere ispezionato regolarmente da un tecnico di assistenza qualificato. Per esempio, controllare se i filtri presentano danni e controllare l'ermeticità all'aria dell'apparecchio, nonché la funzionalità corretta del meccanismo di controllo.

Pezzi di ricambio e accessori. L'uso di pezzi di ricambio, spazzole e accessori non originali può compromettere la sicurezza o il funzionamento dell'apparecchio. Usare solo accessori Milwaukee e pezzi di ricambio Milwaukee. Gruppi costruttivi la cui sostituzione non è stata descritta, devono essere fatti cambiare da un punto di servizio di assistenza tecnica al cliente Milwaukee (vedi depliant garanzia/ indirizzi assistenza tecnica ai clienti).

In caso di mancanza del disegno esploso, può essere richiesto al seguente indirizzo: Techtronic Industries GmbH, Max-Eyth-Straße 10, 71364 Winnenden, Germany.

## IMMAGAZZINAMENTO

Immagazzinare la macchina in locali asciutti e al riparo dal gelo.

**ATTENZIONE: Questo dispositivo deve essere immagazzinato esclusivamente in ambienti interni.**

## DICHIARAZIONE DI CONFORMITÀ CE

Assumendone la piena responsabilità, dichiariamo che il prodotto descritto nei "Dati tecnici" è conforme alle pertinenti disposizioni delle direttive

2011/65/UE (RoHS)

2006/42/CE

2014/30/UE

e che sono state applicate le seguenti norme armonizzate

EN 60335-1:2012+A11:2014+A13:2017

EN 60335-2-69:2012

EN 62233:2008

EN 55014-1:2017

EN 55014-2:2015

EN 50581:2012



Winnenden, 2018-07-04

Alexander Krug / Managing Director

Autorizzato alla preparazione della documentazione tecnica

Techtronic Industries GmbH

Max-Eyth-Straße 10, 71364 Winnenden, Germany



## SIMBOLI



ATTENZIONE! AVVERTENZA! PERICOLO!



Prima di iniziare togliere la batteria dalla apparecchio.



Leggere attentamente le istruzioni per l'uso prima di mettere in funzione l'elettrotensile.



Leggere attentamente le istruzioni per l'uso prima di mettere in funzione l'elettrotensile.



Accessorio - Non incluso nella dotazione standard, disponibile a parte come accessorio.



AVVISO: Questo dispositivo è idoneo soltanto all'uso a secco.



Classe di protezione III

**V** Volt



Corrente continua



Classe di polveri L (IEC 60335-2-69)

Le polveri appartenenti a questa classe hanno valori LEP > 1 mg/m<sup>3</sup>



I dispositivi elettrici, le batterie e le batterie ricaricabili non devono essere smaltiti con i rifiuti domestici. I dispositivi elettrici e le batterie devono essere raccolti separatamente e devono essere conferiti ad un centro di riciclaggio per lo smaltimento rispettoso dell'ambiente. Chiedere alle autorità locali o al rivenditore specializzato dove si trovano i centri di riciclaggio e i punti di raccolta.



Marchio di conformità europeo



Marchio di conformità ucraino



Marchio di conformità euroasiatico

DATOS TÉCNICOS Extractor Polvo	M18 FBPV
Número de producción	4693 26 01... ... 000001-999999
Voltaje de batería	18 V
Amperios	25 A
Consumo de potencia	380 W
Caudal de aire	1557 l/min 93 m <sup>3</sup> /h
Presión negativa	18,9 kPa 189 mbar
Volumen de	3,8 l
Tipo de filtro	HEPA H13
Peso de acuerdo con el procedimiento EPTA 01/2014 (Li-Ion 2,0 Ah ... 12,0 Ah)	8,43 kg ... 9,53 kg
Diámetro de manguera de aspiración	36 mm
Temperatura ambiente recomendada para la operación	-18°C ... +50°C
Juegos de baterías recomendados	M18B... M18HB...
Cargadores recomendados	M12-18... M1418 C6
<b>Información sobre ruidos</b> Determinación de los valores de medición según norma ISO 4871. El nivel de ruido típico del aparato determinado con un filtro A corresponde a:	
Presión acústica LpA (Tolerancia K=2dB(A))	65 dB (A)
Resonancia acústica LWA (Tolerancia K=2dB(A))	76 dB (A)
<b>Usar protectores auditivos!</b>	
<b>Información sobre vibraciones de conformidad con EN 60335-2-69</b> Nivel total de vibraciones (suma vectorial de tres direcciones) determinado según ISO 5349.	
Valor de vibraciones generadas a <sub>n</sub> Tolerancia K=	0,15 m/s <sup>2</sup> 0,05 m/s <sup>2</sup>



**⚠ ADVERTENCIA! Lea detenidamente el manual de instrucciones antes de utilizar el dispositivo. Rogamos leer las indicaciones de seguridad y las instrucciones.**

En caso de no atenerse a las advertencias de peligro e instrucciones siguientes, ello puede ocasionar una descarga eléctrica, un incendio y/o lesión grave.

**ADVERTENCIA: ¡El usuario debe ser informado suficientemente sobre el uso del aparato!**

**Guardar todas las advertencias de peligro e instrucciones para futuras consultas.**

#### **⚠ INSTRUCCIONES DE SEGURIDAD EXTRACTOR POLVO**

**Este aparato no es apropiado para ser utilizado por personas (incluyendo niños) con capacidades físicas, sensoriales o mentales limitadas, o que carezcan de experiencia o de conocimientos especiales. Además, los niños deben estar siempre bajo la supervisión de un adulto para evitar que jueguen con el aparato. Las tareas de limpieza y mantenimiento que cor-respondan al usuario no deben ser realizadas por ni os sin supervisi n.**

**Este dispositivo solo debe utilizarse bajo supervisión.**

#### **Peligro de incendio y explosión!**

No aspirar nunca con la máquina ningún disolvente inflamable o explosivo, o líquidos como gasolina, aceite, alcohol, diluyentes, o partículas pequeñas (tales como virutas metálicas o ceniza) que

puedan tener una temperatura superior a 60°C, ya que podría existir el riesgo de explosión o incendio!

El aparato no debe utilizarse en las proximidades de gases y sustancias inflamables.

No dirigir la tobera, la manguera o el tubo hacia personas o animales.

Mantenga el cabello, la ropa suelta, los dedos y todas las partes del cuerpo lejos de las aberturas y piezas móviles. No coloque ningún objeto en las aberturas ni use el aparato con la apertura bloqueada. Mantenga las aberturas libres de polvo, pelusas, pelos y cualquier objeto que pueda reducir el flujo de aire.

**ADVERTENCIA!** Para reducir el riesgo de incendio, lesión personales y daños al producto debido a un cortocircuito, no sumerja nunca la herramienta, el pa-quete de baterías o el cargador en líquido ni permita que fluya un fluido dentro de ellos. Los fluidos corrosivos o conductivos, como el agua de mar, ciertos productos quími-cos industriales y blanqueadores o lejías que contienen, etc., Pueden causar un cortocircuito.

No abra nunca las baterías ni los cargadores y guárdelos sólo en lugares secos. Protéjalos de la humedad en todo momento.

Recargar solamente los acumuladores del Sistema M18 en cargadores M18. No utilice baterías de otros sistemas.

Antes de empezar a trabajar, el personal técnico debe tener conocimientos y formación en:

- uso de la máquina
- riesgos asociados con el material que se va a recoger
- eliminación segura del material recogido

## APLICACIÓN DE ACUERDO A LA FINALIDAD

Este extractor móvil de polvo está diseñado, desarrollado y probado rigurosamente para funcionar de manera eficiente y segura cuando su mantenimiento es correcto y se utiliza de acuerdo con las siguientes instrucciones.

Las máquinas descritas en estas instrucciones son apropiadas

- para el uso industrial, p. ej. en hoteles, escuelas, hospitales, fábricas, tiendas y oficinas
- Uso industrial como, p. ej., plantas, obras de construcción y talleres.
- para la separación de polvos con un valor límites de exposición superior a  $1 \text{ mg/m}^3$  (clase de polvos L).

### ADVERTENCIA: Este aparato sólo es apropiado para la aspiración en seco.

No se pueden aspirar los siguientes materiales:

- Polvos peligrosos pertenecientes a las clases M y H.
- materiales calientes (cigarros ardiendo, cenizas calientes, etc.)
- líquidos combustibles, explosivos y agresivos (p. ej. gasolina, disolventes, ácidos, lejías, etc.)
- polvos combustibles y explosivos (p. ej. polvo de magnesio o aluminio, etc.)



Para máquinas aptas para la clase de polvo L (con designación de tipo -0L, -2L) se aplica lo siguiente:

- El dispositivo es apto para recoger polvo seco, no inflamable, polvos peligrosos con un valor OEL  $> 1 \text{ mg/m}^3$ .
- Polvo de clase L (IEC 60335-2-69)
- Los polvos que pertenecen a esta clase tienen valores OEL  $> 1 \text{ mg/m}^3$
- En las máquinas destinadas a la clase de polvo L, se comprueba el material filtrante. El grado máximo de permeabilidad es del 1 % y no hay ningún requisito especial para su eliminación.
- Para los extractores de polvo, asegúrese de que la tasa de cambio de aire L sea la adecuada cuando el aire de escape vuelva a la estancia.

Además de las instrucciones de funcionamiento y las normas de prevención de accidentes aplicables en el país de uso, aplique las normas generales sobre seguridad y uso adecuado.

Los accidentes debidos al mal uso sólo pueden evitarlos los usuarios de la máquina.

### LEA Y SIGA LAS INSTRUCCIONES DE SEGURIDAD.

Cualquier otra utilización se considerará uso indebido. El fabricante no se responsabiliza de los daños causados por un uso inadecuado. El riesgo para tal uso está cubierto exclusivamente por el usuario. El uso adecuado incluye también una operación correcta y realizar el mantenimiento y las reparaciones según lo especificado por el fabricante.

## BATERIA

Las baterías no utilizadas durante cierto tiempo deben ser recargadas antes de usar.

Las temperaturas superiores a  $50^\circ\text{C}$  reducen el rendimiento de la batería. Evite una exposición excesiva a fuentes de calor o al sol (riesgo de sobrecalentamiento).

Los puntos de contacto de los cargadores y las baterías se deben mantener limpios.

Para un tiempo óptimo de vida, deberán cargarse las baterías completamente después de su uso.

Para garantizar la máxima capacidad y vida útil, las baterías recargables se deberían retirar del cargador una vez finalizada la carga.

En caso de almacenar la batería recargable más de 30 días:

Almacenar la batería recargable en un lugar seco a una temperatura de aproximadamente  $27^\circ\text{C}$ . Almacenar la batería recargable con un estado de carga del 30% y 50% aproximadamente. Recargar la batería cada 6 meses.

Las baterías no recargables no deben recargarse.

Las pilas recargables del aparato se deben retirar antes de cargarlas.

Las pilas vacías se deben retirar del aparato y desechar de forma apropiada.

Si el aparato se va a guardar durante un periodo de tiempo prolongado, retirar las pilas del aparato.

Los contactos de unión jamás se deben cortocircuitar.

## TRANSPORTE DE BATERÍAS DE IONES DE LITIO

Las baterías de iones de litio caen bajo las disposiciones legales relativas al transporte de mercancías peligrosas.

El transporte de estas baterías recargables debe llevarse a cabo, observando las normas y disposiciones locales, nacionales e internacionales.

Los consumidores pueden transportar estas baterías recargables sin el menor reparo en la calle.

El transporte comercial de baterías recargables de iones de litio por empresas de transportes está sometido a las disposiciones del transporte de mercancías peligrosas. Las preparaciones para el envío y el transporte deben ser llevados a cabo exclusivamente por personas instruidas adecuadamente. El proceso completo debe ser supervisado por personal competente.

Los siguientes puntos se deben observar para el transporte de las baterías recargables:

Se debe asegurar que los contactos estén protegidos y aislados para evitar que se produzcan cortocircuitos. Preste atención a que el conjunto de baterías recargables no se pueda desplazar dentro del envase. Las baterías recargables deterioradas o derramadas no se deben transportar. Rogamos que para cualquier información adicional se dirija a su empresa de transportes.

## PROTECCIÓN CONTRA SOBRECARGA DE LA BATERÍA

En caso de sobrecarga del acumulador por consumo excesivo de corriente eléctrica, por ej. debido a pares muy elevados, agarrotamiento del útil, parada repentina o cortocircuito, la herramienta eléctrica se detendrá durante 2 segundos y se desconectará automáticamente.

Para conectarlo de nuevo, soltar el botón de encendido y después conectarlo otra vez.

Bajo cargas extremas la batería se calienta demasiado. En este caso, todas las luces del indicador de carga parpadean hasta que la batería se enfría. Cuando se apaga el indicador de carga se puede trabajar de nuevo.

Meta entonces la batería en el cargador para recargarla otra vez y activarla.

## INDICACIONES PARA EL TRABAJO

Utilice el aparato sólo si éste se encuentra en perfecto estado. No aspire nunca sin filtro o con un filtro dañado.

Evite las técnicas de trabajo inseguras.

Tenga especial cuidado al limpiar escaleras.

Desheche los elementos filtrante, bolsas de filtro y bolsas de eliminación conforme a las normas nacionales

**ATENCIÓN: Este aparato sólo es apropiado para la utilización en interiores.**

Disponga de buena ventilación en el lugar de trabajo.

Si la máquina no funciona correctamente o se ha caído, dañado, dejado en el exterior o caído al agua, envíelo a un centro de servicio técnico o a su distribuidor.

### MANTENIMIENTO, LIMPIEZA Y REPARACIÓN

Retire la batería antes de comenzar cualquier trabajo el aparato.

Lleve a cabo solamente aquellos trabajos de mantenimiento que se especifican en las instrucciones de Servicio.

Las ranuras de ventilación de la máquina deben estar despejadas en todo momento.

Las piezas desmontables (incluyendo el colector de polvo) deben retirarse para su limpieza.

Quite siempre el polvo y la suciedad de la herramienta. Observe que la manija se encuentre en todo momento limpia, seca y libre de aceite o grasa. Detergentes y disolventes son nocivos para materiales plásticos y demás partes aislantes. Emplee por ello para su limpieza únicamente jabón suave y un paño húmedo. No utilice jamás solventes inflamables cerca de la herramienta.

Dependiendo del número de horas de funcionamiento, el filtro de polvo debe sustituirse. Mantenga la máquina limpia con un paño seco y una pequeña cantidad de esmalte en aerosol.

No rocíe nunca con agua la pieza superior del aspirador: peligro para personas, peligro de cortocircuito.

Al realizar tareas de mantenimiento, la herramienta se deberá desmontar, limpiar y revisar, siempre que ello sea viable, sin poner en peligro al personal de mantenimiento u otras personas. Entre las medidas de precaución adecuadas se incluyen la descontaminación antes del desmontaje, la ventilación forzosa filtrada en el lugar donde se desmonta la máquina, la limpieza de la zona de mantenimiento y el uso de equipamiento de protección personal adecuado.

Durante los trabajos de mantenimiento y reparación todas las piezas contaminadas que no hayan podido limpiarse satisfactoriamente deben:

- Envasarse en bolsas bien selladas.
- Eliminarsen de conformidad con los reglamentos vigentes en materia de eliminación de residuos.

Un técnico de servicio cualificado debe inspeccionar el dispositivo periódicamente. Por ejemplo, comprobar que los filtros no estén dañados, así como la estanqueidad del dispositivo y el correcto funcionamiento del mecanismo de control.

El uso de repuestos, cepillos y accesorios no originales puede comprometer la seguridad del aparato. Utilice solamente accesorios y repuestos Milwaukee. En caso de necesitar reemplazar componentes no descritos, contacte con cualquiera de nuestras estaciones de servicio Milwaukee (consultar lista de servicio técnicos)

En caso necesario, puede solicitar un despiece de la herramienta. Por favor indique el número de impreso que hay en la etiqueta y pida el despiece a la siguiente dirección: Techtronic Industries GmbH, Max-Eyth-Straße 10, 71364 Winnenden, Germany.

### ALMACENAMIENTO

Almacene el equipo en un lugar seco y protegido contra heladas.

**ATENCIÓN: Este aparato debe ser almacenado sólo en interiores.**

### DECLARACION DE CONFORMIDAD CE

Declaramos bajo nuestra única responsabilidad que el producto descrito bajo „Datos técnicos“ cumple todas las disposiciones pertinentes de las directivas

2011/65/UE (RoHS)

2006/42/CE

2014/30/UE

y que se han implementado y estándares

EN 60335-1:2012+A11:2014+A13:2017

EN 60335-2-69:2012

EN 62233:2008

EN 55014-1:2017

EN 55014-2:2015

EN 50581:2012



Winnenden, 2018-07-04

Alexander Krug / Managing Director

Autorizado para la redacción de los documentos técnicos.

Techtronic Industries GmbH

Max-Eyth-Straße 10, 71364 Winnenden, Germany





## SÍMBOLOS



¡ATENCIÓN! ¡ADVERTENCIA! ¡PELIGRO!



Retire la batería antes de comenzar cualquier trabajo el aparato.



Lea las instrucciones detenidamente antes de conectar la herramienta



Lea las instrucciones detenidamente antes de conectar la herramienta



Accesorio - No incluido en el equipo estándar, disponible en la gama de accesorios.



ADVERTENCIA: Este aparato sólo es apropiado para la aspiración en seco.



Clase de protección III

**V** Voltios de CA



Corriente continua



Polvo de clase L (IEC 60335-2-69)

Los polvos que pertenecen a esta clase tienen valores OEL > 1 mg/m<sup>3</sup>



Los electrodomésticos y las baterías/acumuladores no se deben eliminar junto con la basura doméstica. Los aparatos eléctricos y los acumuladores se deben recoger por separado y se deben entregar a una empresa de reciclaje para una eliminación respetuosa con el medio ambiente. Infórmese en las autoridades locales o en su tienda especializada sobre los centros de reciclaje y puntos de recogida.



Marcado de conformidad europeo



Marcado de conformidad ucraniano



Marcado de conformidad euroasiático

CARACTERÍSTICAS TÉCNICAS	M18 FBPV
Extracção de pó	
Número de produção	4693 26 01... ... 000001-999999
Tensão do acumulador	18 V
Amperes	25 A
Consumo de potência	380 W
Fluxo volumétrico do ar	1557 l/min 93 m <sup>3</sup> /h
Subpressão	18,9 kPa 189 mbar
Capacidade do	3,8 l
Tipo de filtro	HEPA H13
Peso nos termos do procedimento-EPTA 01/2014 (Li-Ion 2,0 Ah ... 12,0 Ah)	8,43 kg ... 9,53 kg
Diâmetro da mangueira de sucção	36 mm
Temperatura ambiente recomendada para a operação	-18°C ... +50°C
Conjuntos de baterias recomendados	M18B... M18HB...
Carregadores recomendados	M12-18... M1418 C6
<b>Informações sobre ruído</b>	
Valores de medida de acordo com ISO 4871. O nível de ruído avaliado A do aparelho é tipicamente:	
Nível da pressão de ruído LpA (Incertez K=2dB(A))	65 dB (A)
Nível da potência de ruído LWA (Incertez K=2dB(A))	76 dB (A)
<b>Use protectores auriculares!</b>	
<b>Informação sobre vibrações, de acordo com a norma EN 60335-2-69</b>	
Valores totais de vibração (soma dos vectores das três direcções) determinadas conforme ISO 5349.	
Valor de emissão de vibração a <sub>h</sub>	0,15 m/s <sup>2</sup>
Incerteza K=	0,05 m/s <sup>2</sup>



Por

**⚠ ATENÇÃO!** Antes de utilizar o aparelho elétrico, leia cuidadosamente o manual de instruções. Leia todas as instruções de segurança e todas as instruções.

O desrespeito das advertências e instruções apresentadas abaixo pode causar choque eléctrico, incêndio e/ou graves lesões.

**AVISO:** O utilizador deve ser instruído de forma adequada sobre a utilização do aparelho!

Guarde bem todas as advertências e instruções para futura referência.

#### **⚠ INSTRUÇÕES DE SEGURANÇA EXTRACÇÃO DE PÓ**

Este aparelho não é apropriado para ser usado por pessoas (inclusive crianças) com capacidades físicas, sensoras ou psíquicas reduzidas ou com falta de experiência ou conhecimentos técnicos. Além disso, crianças devem ser supervisionadas para assegurar que não brinquem com o aparelho. Não permita a limpeza e manutenção do aparelho pelo utilizador a crianças sem Vigilância.

Este aparelho elétrico só pode ser utilizado sob supervisão.

#### **Incêndio e explosão!**

É interdita a aspiração de diluentes combustíveis ou explosivos e líquidos tais como gasolina, óleo, álcool e materiais de pequena granulometria (limalha, cinzas), quando a sua temperatura for superior a 60°C. o não cumprimento desta indicação acarreta perigo de incêndio ou explosão!

O aparelho não deve ser utilizado na proximidade de gases e substâncias inflamáveis.

Não apontar o bico, a mangueira, nem o tubo para pessoas ou animais.

Mantenha o cabelo, a roupa larga, os dedos e todas as partes do corpo afastadas de aberturas e peças móveis. Não coloque objectos em aberturas nem use com a abertura bloqueada. Mantenha as aberturas sem pó, algodão, pêlos ou qualquer outro resíduo que possa reduzir o fluxo de ar.

**ATENÇÃO!** Para evitar o risco de incêndio, de feridas ou de danificação do produto causado por um curto-circuito, não imerja a bateria intercambiável ou o carregador em líquidos e assegure-se de que líquidos não penetrem nos aparelhos ou nas baterias. Líquidos corrosivos ou condutivos como água salgada, determinadas substâncias químicas ou produtos que contenham branqueadores podem causar um curto-circuito.

Carregadores só devem ser utilizados em recintos secos.

Use apenas carregadores do Sistema M18 para recarregar os acumuladores do Sistema M18. Não utilize baterias de outros sistemas.

Antes de começar a trabalhar, o pessoal operacional tem de ser formado e informado sobre:

- utilização da máquina
- riscos associados com o material a recolher
- eliminação segura do material recolhido

## UTILIZAÇÃO AUTORIZADA

Este extrator de poeiras móvel foi concebido e testado rigorosamente para funcionar com eficácia e segurança quando usado e mantido de forma adequada, em conformidade com as instruções que se seguem.

Os aparelhos descritos nestas instruções de operação são adequados para

- o uso industrial, por exemplo, em hotéis, escolas, hospitais, fábricas, lojas, escritórios e empresas de aluguer
- utilização industrial, tal como em fábricas, estaleiros de construção e oficinas.
- a eliminação de pó com um valor limite de exposição superior a  $1 \text{ mg/m}^3$  (classe de pós L).

### AVISO: Este aparelho só é apropriado para o uso seco.

Os seguintes materiais não deverão ser aspirados:

- poeiras perigosas pertencentes às classes M e H
- materiais quentes (cigarros incandescentes, cinza quente, etc.)
- líquidos combustíveis, explosivos, agressivos (por exemplo: gasolina, solventes, ácidos, lixívia, etc.)
- pós combustíveis, explosivos (por exemplo, pós de magnésio, de alumínio, etc.).



Por



No que se refere a máquinas que produzam poeiras de classe „L“ (com a designação tipológica -0L, -2L), aplica-se o seguinte:

- O aparelho elétrico é adequado para aspirar poeiras secas e não inflamáveis, bem como poeiras perigosas cujo valor de OEL seja  $> 1 \text{ mg/m}^3$ .
- Classe de poeiras „L“ (IEC 60335-2-69)
- As poeiras pertencentes a esta classe têm valores de OEL  $> 1 \text{ mg/m}^3$
- O material de filtragem foi testado para máquinas destinadas a poeiras de classe „L“. O grau máximo de permeabilidade é de 1% e não existe qualquer requisito especial quanto à eliminação.
- No que se refere aos extractores de pó, garanta que ocorre uma troca de ar adequada de classe „L“ quando o ar extraído regressar ao compartimento.

Além das instruções de funcionamento e dos regulamentos de prevenção de acidentes vinculativos válidos no país onde a máquina vai ser utilizada, respeitar também os regulamentos reconhecidos de segurança e de utilização adequada.

Os acidentes devidos a má utilização apenas podem ser evitados por quem usa a máquina.

### LEIA E RESPEITE TODAS AS INSTRUÇÕES DE SEGURANÇA.

Qualquer outra utilização é considerada inadequada. O fabricante não se responsabiliza por qualquer dano resultante dessa utilização. O risco dessa utilização é assumido exclusivamente pelo utilizador. A utilização adequada também inclui a operação, assistência e reparações adequadas conforme especificado pelo fabricante.

## ACUMULADOR

Acumuladores não utilizados durante algum tempo devem ser recarregados antes da sua utilização.

Temperaturas acima de  $50^\circ\text{C}$  reduzem a capacidade do bloco acumulador. Evitar exposição prolongada ao sol ou a caloríferos.

Mantiver limpos os contactos eléctricos no carregador e no bloco acumulador.

Para uma vida útil óptima das baterias, terá que carregá-las plenamente após a sua utilização.

Para assegurar uma vida útil longa, o pacote de bateria deve ser removido da carregadora depois do carregamento.

Se o pacote de bateria for armazenado por mais de 30 dias: Armazene o pacote de bateria com aprox.  $27^\circ\text{C}$  em um lugar seco. Armazene o pacote de bateria com aprox. 30%-50% da carga completa. Carregue o pacote de bateria novamente de 6 em 6 meses.

As baterias não recarregáveis não devem ser recarregadas.

Baterias recarregáveis devem ser retiradas do aparelho antes de carregá-las.

Baterias vazias devem ser retiradas do aparelho e eliminadas de forma segura.

Se o aparelho for armazenado por um período prolongado, as baterias devem ser retiradas.

Não é permitido curto-circuitar os contactos de conexão.

## TRANSPORTE DE BATERIAS DE IÃO-LÍLIO

Baterias de ião-lítio estão sujeitas às disposições da legislação relativa às substâncias perigosas.

O transporte destas baterias deve ser efetuado de acordo com as disposições e os regulamentos locais, nacionais e internacionais.

O utilizador pode efetuar o transporte rodoviário destas baterias sem restrições.

O transporte comercial de baterias de ião-lítio por terceiros está sujeito aos regulamentos relativos às substâncias perigosas. A preparação do transporte e o transporte devem ser executados exclusivamente por pessoas instruídas e o processo deve ser acompanhado pelos especialistas correspondentes.

Observe o seguinte no transporte de baterias:

Assegure-se de que os contactos terminais estejam protegidos e isolados para evitar um curto-circuito. Assegure-se de que o bloco da bateria esteja protegido contra movimentos na embalagem. Não transporte baterias danificadas ou que tenham fuga. Para instruções mais detalhadas consulte a companhia de transportes

## PROTECÇÃO DE SOBRECARGA DE BATERIA

Em caso de sobrecarga da bateria devido a um consumo de energia muito alto, p.ex., por causa de um elevado binário, de uma parada repentina ou de um curto-circuito, a ferramenta elétrica pára por 2 segundos e desliga-se automaticamente.

Para a ligar novamente, desligar e voltar a ligar o interruptor. Sob condições extremas, a bateria aquece demasiado. Nesse caso, todas as luzes do indicador de carregamento de bateria piscam até que esta arrefeça. Após as luzes do indicador de carregamento de bateria se apagarem, pode-se continuar a trabalhar.

Voltar então a colocar o acumulador no carregador para o carregar de novo e para assim o activar.

## DICAS DE TRABALHO

Só use o aparelho em condição perfeita. Nunca aspire sem filtro ou com filtro danificado.

Não utilizar técnicas de trabalho inseguras.

Tenha um cuidado redobrado quando limpar em escadas.

Descarte o elementos filtrante, sacos filtrantes e sacos de eliminação, em conformidade com as regulamentações nacionais.

**ATENÇÃO: Este aparelho só é apropriado para o uso em espaços interiores.**

Assegure uma boa ventilação no local de trabalho.

Se a máquina não estiver a funcionar bem ou tiver caído ou estiver danificada, for deixada no exterior ou for deixada cair dentro de água, leve-a a um centro de assistência ou representante.

### MANUTENÇÃO, LIMPEZA E REPARAÇÃO

Antes de efectuar qualquer intervenção o aparelho retirar o bloco acumulador.

Realizar apenas trabalhos de manutenção descritos nas instruções de operação.

Manter desobstruídos os rasgos de ventilação na carcaça da máquina.

As partes desmontáveis (entre as quais se inclui o coletor de poeiras) devem ser removidas para serem limpas.

Limpe o aparelho sempre que este esteja sujo ou coberto em pó. Mantenha o cabo suporte sempre limpo, seco e livre de óleo e gordura. Produtos de limpeza e solventes afectam plásticos e outros materiais de isolamento. Por isso use apenas um pano com um sabão pouco agressivo para limpar o aparelho. Nunca utilize solventes inflamáveis perto do aparelho.

Dependendo da quantidade de horas de funcionamento – o filtro de poeiras deve ser renovado. Mantenha a máquina limpa com um pano seco e uma pequena porção de produto de polimento em pulverizador.

Nunca salpicar a parte superior do aspirador com água: perigo para pessoas, perigo de curto-circuito.

Para manutenção pelo utilizador, a máquina tem de ser desmontada, limpa e inspecionada, dentro dos limites do razoavelmente praticável, sem causar riscos para o pessoal de manutenção e outros. As precauções adequadas incluem a descontaminação antes da desmontagem, a colocação de ventilação exaustora com filtro no local onde a máquina for desmontada, limpeza da área de manutenção e proteção individual apropriada.

Durante os trabalhos de manutenção e reparação, todas as partes que não puderam ser limpas de forma satisfatória têm de ser:

- Embaladas em sacos bem selados
- Eliminadas em conformidade com os regulamentos válidos para a remoção desse tipo de resíduos.

O aparelho eléctrico deve ser inspecionado regularmente por um técnico de manutenção qualificado. Por exemplo, verificar se existem danos nos filtros e confirmar a hermeticidade do aparelho eléctrico e o funcionamento adequado do mecanismo de controlo.

O uso de peças sobresselentes, escovas e acessórios não originais pode prejudicar a segurança e/ou funcionamento do aparelho. Utilizar apenas acessórios Milwaukee e peças sobresselentes Milwaukee. Os componentes cuja substituição não esteja descrita devem ser substituídos num serviço de assistência técnica Milwaukee (consultar a brochura relativa à garantia/moradas dos serviços de assistência técnica).

A pedido e mediante indicação da referência que consta da chapa de características da máquina, pode requerer-se um desenho explosivo da ferramenta eléctrica a: Techtronic Industries GmbH, Max-Eyth-Straße 10, 71364 Winnenden, Germany.

### ARMAZENAMENTO

Armazenar o aparelho seco e de modo a estar protegido contra congelação.

**ATENÇÃO: Este aparelho só deve ser armazenado em espaços interiores.**

### DECLARAÇÃO DE CONFORMIDADE CE

Declaramos, sob a nossa inteira responsabilidade, que o produto descrito em «Dados Técnicos» cumpre todas as disposições relevantes das diretivas

2011/65/UE (RoHS)

2006/42/CE

2014/30/UE

tendo sido seguidas as seguintes normas harmonizadas

EN 60335-1:2012+A11:2014+A13:2017

EN 60335-2-69:2012

EN 62233:2008

EN 55014-1:2017

EN 55014-2:2015

EN 50581:2012



Winnenden, 2018-07-04

Alexander Krug / Managing Director

Autorizado a reunir a documentação técnica.

Techtronic Industries GmbH

Max-Eyth-Straße 10, 71364 Winnenden, Germany



Por

## SYMBOLE



ATENÇÃO! PERIGO!



Antes de efectuar qualquer intervenção o aparelho retirar o bloco acumulador.



Leia atentamente o manual de instruções antes de colocar a máquina em funcionamento.



Leia atentamente o manual de instruções antes de colocar a máquina em funcionamento.



Accesório - Não incluído no equipamento normal, disponível como acessório.



AVISO: Este aparelho só é apropriado para o uso seco.



Classe de protecção III



Volts de CA



Corrente contínua



Classe de poeiras „L“ (IEC 60335-2-69)

As poeiras pertencentes a esta classe têm valores de OEL > 1 mg/m<sup>3</sup>



Aparelhos eléctricos, baterias/acumuladores não devem ser jogados no lixo doméstico. Os aparelhos eléctricos e as baterias devem ser colectados separadamente e entregues a uma empresa de reciclagem para a eliminação correcta. Solicite informações sobre empresas de reciclagem e postos de colecta de lixo das autoridades locais ou do seu vendedor autorizado.



Marca de Conformidade Europeia



Marca de Conformidade Ucrâniana



Marca de Conformidade Eurasiática

TECHNISCHE GEGEVENS	M18 FBPV
<b>Stofafzuiging</b>	
Productienummer	4693 26 01... ... 000001-999999
Spanning wisselakku	18 V
Ampère	25 A
Opgenomen vermogen	380 W
Luchtvolumestroom	1557 l/min 93 m³/h
Onderdruk	18,9 kPa 189 mbar
Capaciteit	3,8 l
Filtertype	HEPA H13
Gewicht volgens de EPTA-procedure 01/2014 (Li-Ion 2,0 Ah ... 12,0 Ah)	8,43 kg ... 9,53 kg
Diameter afzuigslang	36 mm
Aanbevolen omgevingstemperatuur voor het bedrijf	-18°C ... +50°C
Aanbevolen accupacks	M18B... M18HB...
Aanbevolen laadtoestellen	M12-18... M1418 C6
<b>Geluidsinformatie</b>	
Meetwaarden vastgesteld volgens ISO 4871. Het kenmerkende A-gewogen geluidsniveau van de machine bedraagt:	
Geluidsdrukniveau LpA (Onzekerheid K=2dB(A))	65 dB (A)
Geluidsvermogeniveau LWA (Onzekerheid K=2dB(A))	76 dB (A)
<b>Draag oorbeschermers!</b>	
<b>Trillingsinformatie volgens EN 60335-2-69</b>	
Totale trillingswaarden (vectorsom van drie richtingen) bepaald volgens ISO 5349.	
Trillingsemisiewaarde a <sub>h</sub>	0,15 m/s <sup>2</sup>
Onzekerheid K=	0,05 m/s <sup>2</sup>



**⚠ WAARSCHUWING! Lees de gebruiksaanwijzing zorgvuldig door voordat u het apparaat in gebruik neemt. Lees alle veiligheidsinstructies en aanwijzingen door.**

Als de waarschuwingen en voorschriften niet worden opgevolgd, kan dit een elektrische schok, brand of ernstig letsel tot gevolg hebben.

**WAARSCHUWING De gebruiker moet voldoende geïnstrueerd zijn over het gebruik van het apparaat! Bewaar alle waarschuwingen en voorschriften voor toekomstig gebruik.**

#### **⚠ VEILIGHEIDSAADVIEZEN STOFAFZUIGING**

**Dit apparaat is niet geschikt voor gebruik door personen (inclusief kinderen) met beperkte lichamelijke, sensorische of geestelijke vermogens of onvoldoende ervaring resp. vakkennis. Op kinderen moet toezicht worden gehouden om te voorkomen dat ze met het apparaat spelen. Reiniging en onderhoud mogen niet worden uit-gevoerd door kinderen als zij niet onder toezicht**

**Dit apparaat mag alleen onder toezicht worden gebruikt.**

#### **Brand- en explosiegevaar!**

Algemeen geldend mogen geen brandbare of explosieve oplosmiddelen, vloeistoffen, zoals benzine, olie, alcohol, verdunner zowel goederen (metaalsplinters, as) die warmer zijn dan 60°C opgezogen worden. Er bestaat anders explosie- en brandgevaar.

De machine mag niet in de buurt van ontvlambare gassen en substanties gebruikt worden.

Mondstuk, slang of buis niet op mensen of dieren richten.

Houd haar, losse kleding, vingers en andere delen van het lichaam buiten bereik van openingen en bewegende onderdelen. Plaats geen objecten in openingen en gebruik het apparaat niet als de openingen geblokkeerd zijn. Houd openingen vrij van stof, pluizen, haar en alles wat verder de luchtstroom kan hinderen.

**WAARSCHUWING!** Voorkom brand, persoonlijk letsel of materiële schade door kortsluiting en dompel het gereedschap, de wisselakku en het laadtoestel niet onder in vloeistoffen en waarborg dat geen vloeistoffen in de apparaten en accu's kunnen dringen. Corrosieve of geleidende vloeistoffen zoals zout water, bepaalde chemicaliën, bleekmiddelen of producten die bleekmiddelen bevatten, kunnen een kortsluiting veroorzaken.

Wisselakku's en laadapparaten niet openen en alleen in droge ruimtes opslaan. Tegen vocht beschermen.

Wisselakku's van het Akku-Systeem M18 alléén met laadapparaten van het Akku-Systeem M18 laden. Gebruik geen accu's van andere systemen.

Voordat met de werkzaamheden wordt begonnen, dient het bedienend personeel geïnformeerd en opgeleid te worden met het oog op het volgende:

- het gebruik van het apparaat
- de risico's verbonden met het op te zuigen materiaal
- de veilige verwerking van het opgezogen materiaal

## VOORGESCHREVEN GEBRUIK VAN HET SYSTEEM

Deze mobiele stofzuiger is ontworpen, ontwikkeld en grondig getest voor efficiënt en veilig gebruik mits goed onderhouden en gebruikt overeenkomstig de onderstaande aanwijzingen. De toestellen die in deze gebruiksaanwijzing worden beschreven, zijn geschikt voor

- het industriële gebruik, b.v. in hotels, scholen, ziekenhuizen, fabrieken, winkels, kantoren en verhuurmaatschappijen
- industrieel gebruik, zoals installaties, bouw- en werkplaatsen.
- het afscheiden van stof met een expositie-grenswaarde van hoger dan  $1\text{mg}/\text{m}^3$  (stofklasse L).

**WAARSCHUWING Dit apparaat is alleen geschikt voor droog gebruik.**

De volgende materialen mogen niet worden opgezogen:

- gevaarlijke stoffen die tot de klassen M en H behoren
- hete materialen (brandende sigaretten, hete as enz.)
- brandbare, explosieve, agressieve vloeistoffen (b.v. benzine, oplosmiddelen, zuren, logen enz.)
- brandbare, explosieve soorten stof (b.v. magnesium-, aluminiumstof enz.).



Voor machines van stofklasse L (met typeaanduiding -0L, -2L) geldt het volgende:

- Het apparaat is geschikt voor het opvangen van droog, onbrandbaar stof, gevaarlijk stof met een OEL-waarde  $> 1\text{mg}/\text{m}^3$ .
- Stofklasse L (IEC 60335-2-69)
- De tot deze klasse behorende stofdeeltjes hebben een OEL-waarde  $> 1\text{mg}/\text{m}^3$
- Bij machines voor stofklasse L wordt het filtermateriaal getest. De maximale doorlaatbaarheid bedraagt 1% en er is geen speciale afvalverwijdering nodig.
- Zorg bij gebruik van stofzuigers met terugvoer van de afgevoerde lucht naar de ruimte voor voldoende luchtverversing L.

Naast de gebruiksaanwijzing en de wetten ter voorkoming van ongevallen die in het desbetreffende land gelden, moeten de algemeen aanvaarde regels voor veiligheid en correct gebruik worden nageleefd

Ongelukken door verkeerd gebruik kunnen alleen voorkomen worden door de personen die het apparaat gebruiken.

**LEES ALLE VOORZORGMATREGELLEN EN HOUD U HIERAAN**

Ieder ander gebruik wordt beschouwd als oneigenlijk gebruik. De fabrikant aanvaardt geen aansprakelijkheid voor schade als gevolg van een dergelijk gebruik. De gevolgen van een dergelijk gebruik komen geheel voor risico van de gebruiker. Een juist gebruik omvat ook een juiste bediening, onderhoud en reparaties zoals aangegeven door de fabrikant.

## AKKU

Langere tijd niet toegepaste wisselakku's vóór gebruik altijd naladen.

Een temperatuur boven de  $50^\circ\text{C}$  vermindert de capaciteit van de accu. Langdurige verwarming door zon of hitte vermijden.

De aansluitcontacten aan het laadapparaat en de accu schoonhouden.

Voor een optimale levensduur moeten de accu's na het gebruik volledig opgeladen worden.

Voor een zo lang mogelijke levensduur van de accu's dienen deze na het opladen uit het laadtoestel te worden verwijderd.

Bij een langere opslag van de accu dan 30 dagen: accu bij ca.  $27^\circ\text{C}$  droog bewaren. accu bij ca. 30% - 50% van de laadtoestand bewaren. accu om de 6 maanden opnieuw opladen.

Niet-oplaadbare batterijen mogen niet worden opgeladen.

Opladbare batterijen moeten vóór het laden uit het apparaat worden verwijderd.

Lege batterijen moeten uit het apparaat verwijderd en volgens de voorschriften afgevoerd worden.

Als het apparaat gedurende een langere periode opgeslagen wordt, dienen de batterijen te worden verwijderd.

De aansluitcontacten mogen niet worden kortgesloten.

## TRANSPORT VAN LITHIUM-IONEN-ACCU'S

Lithium-ionen-accu's vallen onder de wettelijke bepalingen inzake het transport van gevaarlijke goederen.

Voor het transport van deze accu's moeten de lokale, nationale en internationale voorschriften en bepalingen in acht worden genomen.

Verbruikers mogen deze accu's zonder meer over de weg transporteren.

Het commerciële transport van lithium-ionen-accu's door expeditiebedrijven is onderhevig aan de bepalingen inzake het transport van gevaarlijke goederen. De verzendingsvoorbereidingen en het transport mogen uitsluitend worden uitgevoerd door dienovereenkomstig opgeleide personen. Het complete proces moet vakkundig worden begeleid.

Onderstaande punten moeten bij het transport van accu's in acht worden genomen:

Waarborg ter vermijding van kortsluitingen dat de contacten beschermd en geïsoleerd zijn. Let op dat het accupack in de verpakking niet kan verschuiven. Beschadigde of lekkende accu's mogen niet worden getransporteerd. Neem voor meer informatie contact op met uw expeditiebedrijf.

## OVERBELASTINGSBEVEILIGING VAN DE ACCU

Bij overbelasting van de accu door een zeer hoog stroomverbruik, bijv. extreem hoge draaimomenten, klemmen van het gereedschap, plotselinge stilstand of kortsluiting, stopt het elektrische gereedschap gedurende 2 seconden en schakelt dan automatisch uit.

Om het gereedschap weer in te schakelen, moet u de drukschakelaar loslaten en vervolgens weer inschakelen.

Onder extreme belastingen wordt de accu te heet. In dit geval knippen alle lampen van de laadweergave totdat de accu afgekoeld is. Na het doven van de laadweergave kunt u weer verder werken.

Steeke de accu in het laadtoestel om hem weer op te laden en te activeren.

## ARBEIDSWAARSCHUWINGEN

Gebruik het apparaat alleen als het in onbeschadigde staat verkeert. Gebruik de stofzuiging nooit zonder filter of als de filter beschadigd is.

Gebruik geen werkmethode die onveilig zijn.

Wees extra voorzichtig met het schoonmaken op trappen.

Gooi filterelement, filterzakken en afvoerezakken over eenkomstig met nationale voorschriften.

**LET OP: Dit apparaat is alleen bedoeld voor gebruik in binnenruimten.**

Zorg voor een goed geventileerde werkplek.

Als het apparaat niet goed werkt of gevallen, beschadigd, buiten gelaten of in het water gevallen is, breng hem dan terug naar een servicecenter of een dealer.

## ONDERHOUD, REINIGING EN REPARATIE

Voor alle werkzaamheden aan de apparat de akku verwijderen.

Alleen onderhoudswerkzaamheden uitvoeren die in de gebruiksaanwijzing zijn beschreven.

Altijd de luchtspleten van de machine schoonhouden.

De afneembare onderdelen (inclusief stofafscheider) moeten worden verwijderd om te worden gereinigd.

Houd het apparaat vrij van stof en verontreinigingen. Houd de handgreep schoon, droog en vrij van olie of vet. Reinigings- en oplosmiddelen zijn schadelijk voor kunststoffen en andere isolerende onderdelen. Reinig het apparaat daarom alleen met een vochtige doek. Gebruik nooit brandbare oplosmiddelen in de buurt van het apparaat.

De stoffilter moet afhankelijk van het aantal bedrijfsuren worden vervangen. Houd het apparaat schoon met een droge doek en een kleine hoeveelheid reinigingsmiddel.

Hetbovenste deel van de zuiger nooit met water afsprengen: gevaar voor personen, kortsluitingsgevaar.

Voor onderhoud door de gebruiker moet de machine worden ontmanteld, gereinigd en onderhouden, voor zover dit redelijkerwijs praktisch is, zonder een risico te vormen voor onderhoudspersoneel of derden. Passende voorzorgsmaatregelen bestaan uit ontsmetting voorafgaand aan de ontmanteling, verzorging van een lokaal gefilterde uitlaatventilatie op de plaats waar de machine wordt ontmanteld, gereinigd of onderhouden en geschikte persoonlijke beschermingsmiddelen.

Tijdens onderhouds- en reparatiewerkzaamheden moeten alle verontreinigde onderdelen die niet naar behoren konden worden gereinigd, moeten worden:

- Verpakt in goed gesloten zakken
- Afgevoerd op een wijze die voldoet aan de geldende voorschriften voor een dergelijke afvalverwijdering.

Het apparaat moet regelmatig worden geïnspecteerd door een gekwalificeerde onderhoudsmonteur. Controleer bijvoorbeeld de filters op beschadigingen en de luchtdichtheid van het toestel en de goede werking van het bedieningsmechanisme.

Het gebruik van niet-originele reserveonderdelen, borstels en accessoires kan de veiligheid en/of werking van het apparaat beïnvloeden. Gebruik uitsluitend Milwaukee toebehoren en onderdelen. Indien componenten die moeten worden vervangen niet zijn beschreven, neem dan contact op met een officieel Milwaukee servicecentrum (zie onze lijst met servicecentra).

Onder vermelding van het nummer op het machineplaatje is desgewenst een doorsnedetekening van de machine verkrijgbaar bij: Techtronic Industries GmbH, Max-Eyth-Straße 10, 71364 Winnenden, Germany.

## OPSLAG

Toestel droog en vorstbestendig opslaan.

**LET OP: Dit apparaat mag alleen in binnenruimten worden bewaard.**

## EC - VERKLARING VAN OVEREENSTEMMING

We verklaren geheel onder eigen verantwoordelijkheid dat het product in de "Technische data" voldoet aan alle relevante bepalingen van de richtlijnen

2011/65/EU (RoHS)

2006/42/EG

2014/30/EU

en de volgende geharmoniseerde normen zijn gebruikt.

EN 60335-1:2012+A11:2014+A13:2017

EN 60335-2-69:2012

EN 62233:2008

EN 55014-1:2017

EN 55014-2:2015

EN 50581:2012



Winnenden, 2018-07-04

Alexander Krug / Managing Director

Gemachtigd voor samenstelling van de technische documenten

Techtronic Industries GmbH

Max-Eyth-Straße 10, 71364 Winnenden, Germany





## SYMBOLEN



OPGELET! WAARSCHUWING! GEVAAR!



Voor alle werkzaamheden aan de apparat de akku verwijderen.



Graag instructies zorgvuldig doorlezen vóórdát u de machine in gebruik neemt.



Graag instructies zorgvuldig doorlezen vóórdát u de machine in gebruik neemt.



Toebehoren - Wordt niet meegeleverd. Is apart leverbaar. Zie hiervoor het toebehorenprogramma.



WAARSCHUWING Dit apparaat is alleen geschikt voor droog gebruik.



Beschermklasse III



Spanning



Gelijkstroom



Stofklasse L (IEC 60335-2-69)

De tot deze klasse behorende stofdeeltjes hebben een OEL-waarde  $> 1\text{mg}/\text{m}^3$



Elektrische apparaten, batterijen en accu's mogen niet via het huisafval worden afgevoerd. Elektrische apparaten en accu's moeten gescheiden worden verzameld en voor een milieuvriendelijke afvoer worden afgegeven bij een recyclingbedrijf. Informeer bij uw gemeente of bij uw vakhandelaar naar recyclingbedrijven en inzamelpunten.



Europees symbool van overeenstemming



Oekraïens symbool van overeenstemming



Euro-Aziatisch symbool van overeenstemming



TEKNISKE DATA	M18 FBPV
<b>Støvudsugning</b>	
Produktionsnummer	4693 26 01... ... 000001-999999
Udskiftningsbatteriets spænding	18 V
Ampere	25 A
Strømförbrug	380 W
Luftvolumenstrøm	1557 l/min 93 m <sup>3</sup> /h
Undertryk	18,9 kPa 189 mbar
Volumen	3,8 l
Filtertype	HEPA H13
Vægt svarer til EPTA-procedure 01/2014 (Li-Ion 2,0 Ah ... 12,0 Ah)	8,43 kg ... 9,53 kg
Sugeslangediameter	36 mm
Anbefalet omgivelsestemperatur til driften	-18°C ... +50°C
Anbefalede batteripakker	M18B... M18HB...
Anbefalede opladere	M12-18... M1418 C6
<b>Støjinformation</b>	
Måleværdier beregnes iht. ISO 4871. Værktøjets A-vurderede støjniveau er typisk:	
Lydtrykniveau LpA (Usikkerhed K=2dB(A))	65 dB (A)
Lydeffekt niveau LWA (Usikkerhed K=2dB(A))	76 dB (A)
<b>Brug høreværn!</b>	
<b>Information vedr. vibration iht. EN 60335-2-69</b>	
Samlede vibrationsværdier (værdisum for tre retninger) beregnet iht. ISO 5349.	
Vibrationseksponering a <sub>h</sub>	0,15 m/s <sup>2</sup>
Usikkerhed K=	0,05 m/s <sup>2</sup>



**⚠ ADVARSEL! Læs brugsanvisningen grundigt igennem før apparatet bruges. Læs alle sikkerhedsanvisninger og øvrige vejledninger.**

I tilfælde af manglende overholdelse af advarselshenvisningerne og instrukserne er der risiko for elektrisk stød, brand og/eller alvorlige kvæstelser.

**ADVARSEL: Brugeren skal være tilstrækkeligt instrueret i brugen af apparatet!**

**Opbevar alle advarselshenvisninger og instrukser til senere brug.**

**⚠ SIKKERHEDSHENVISNINGER STØVUDSUGNING**

**Dette apparat er ikke beregnet til brug for personer (herunder børn), der har nedsatte fysiske, sensoriske eller mentale evner eller mangel på erfaring og/eller faglig viden. Børn skal derudover være under opsyn for at sikre, at de ikke leger med apparatet. Rengøring og vedligeholdelse må ikke udføres af børn, uden at de er under Opsigt.**

**Dette apparat må kun være i brug under opsyn.**

**Brand- og eksplosionsfare!**

Der må generelt ikke opsuges brændbare eller eksplosive opløsningsmidler, væsker som benzin, olie, alkohol, fortyndingsmiddel og dele (metalspåner, aske) med en temperatur over 60°C; ellers er der eksplosions- og brandfare!

Maskinen må ikke anvendes i nærheden af antændelige gasarter og substanser.

Mundstykke, slange og rør må ikke rettes direkte på mennesker eller dyr.

Hold hår, løstsiddende tøj, fingre og andre kropsdele på sikker afstand af åbninger og bevægelige dele. Lad være med at stikke genstande ind i åbninger eller at bruge apparatet med blokerede åbninger. Hold åbninger fri for støv, fnug, hår og andet, der kan reducere luftstrømmen.

**ADVARSEL!** For at undgå risiko for brand, kvæstelser eller beskadigelse af produktet forårsaget af kortslutning må værktøjet, batteripakken eller opladeren ikke nedsænkes i vand. Sørg ligeledes for, at der ikke trænger væske ind i enhederne og batterierne. Korroderende eller ledende væsker, f.eks. saltvand, bestemte kemikalier, blegestoffer eller produkter, som indeholder blegestoffer, kan forårsage kortslutning.

Udskiftningsbatterier og opladere må ikke åbnes og skal opbevares i tørre rum. Beskyt dem mod fugtighed.

Brug kun M18 ladeapparater for opladning af System M18 batterier. Brug ikke batteripakker fra andre systemer.

Før arbejdet påbegyndes, skal operatøren informeres og instrueres i følgende

- brug af maskinen
- risici i forbindelse med det opsamlede materiale
- sikker bortskaffelse af det opsamlede materiale

## TILTÆNKT FORMÅL

Den mobile støvsuger er designet, udviklet og omfattende testet til at fungere sikkert og effektivt ved korrekt anvendelse og vedligeholdelse i overensstemmelse med vejledningen.

- Apparaterne, som er beskrevet i denne brugsvejledning, er egnede
- til erhvervsmæssig og kommerciel brug, f. eks. på hoteller, skoler, sygehuse, fabrikker, forretninger, kontorer og udlejningslokaler
  - til brug i industrien, som f.eks. på fabrikker, byggepladser og værksteder.
  - til udskillelse af støv med en ekspositionsgrænseværdi større end  $1\text{mg}/\text{m}^3$  (støvklasse L).

### ADVARSEL: Dette apparat er kun egnet til tør brug.

Følgende materialer må ikke suges op:

- farligt støv, som hører ind under klasserne M og H
- varme materialer (glødende cigaretter, varm aske osv.)
- brændbare, eksplosive, aggressive væsker (f. eks. benzin, opløsningsmidler, syrer, lud osv.)
- brændbare, eksplosive støvtyper (f. eks. magnesium-, aluminiumstøv osv.).



Dan



For maskiner i støvklasse L (med typebetegnelsen -0L, -2L) gælder følgende:

- Apparatet er velegnet til at opsamle tørt, ikke-brændbart støv, farlige støvtyper med grænseværdier for luftforurening  $> 1\text{mg}/\text{m}^3$ .
- Støvklasse L (IEC 60335-2-69)
- Støvpartiklerne, som hører til denne klasse, har grænseværdier for luftforurening  $> 1\text{mg}/\text{m}^3$
- For maskiner, som er beregnet til støvklasse L, er filterets materiale testet. Den maksimale gennemtrængningsgrad er 1% og der er ingen særlige krav til bortskaffelsen.
- For støvsugningsanlæg, skal der sørges for en passende luftudskiftningsgrad L, når udsugningsluft sendes tilbage til rummet.

Foruden brugervejledningen og de i brugerlandet gældende retsforpligtende bestemmelser til forebyggelse af uheld skal også de anerkendte fagtekniske regler vedrørende sikkerhedsmæssigt og faglig korrekt arbejde overholdes.

Ulykker som følge af forkert brug kan kun forhindres af brugeren.

### LÆS OG FØLG ALLE SIKKERHEDSANVISNINGER.

Enhver anden anvendelse anses for ukorrekt brug. Producenten påtager sig ikke noget ansvar for skader som følge af en ukorrekt brug. Risikoen for ukorrekt brug påhviler udelukkende brugeren. Korrekt brug omfatter korrekt betjening, vedligeholdelse og reparation som angivet af producenten.

## BATTERI

Udskiftningsbatterier, der ikke har været brugt i længere tid, efterlades inden brug.

Ved temperaturer over  $50^\circ\text{C}$  formindskes batteriets effekt. Undgå direkte sollys og stærk varme.

Tilslutningskontakterne på oplader og udkiftningsbatterier skal holdes rene.

For at opnå en optimal levetid skal de genopladelige batterier oplades fuldt efter brug.

For at sikre en så lang levetid som muligt skal batterierne tages ud af ladeaggregatet efter opladning.

Skal batterierne opbevares længere end 30 dage: Temperatur ca.  $27^\circ\text{C}$  i tørre omgivelser. Opbevares ved ca. 30%-50% af ladetilstanden. Batteri skal genoplades hver 6. måned.

Ikke-genopladelige batterier må ikke genoplades.

Genopladelige batterier skal fjernes fra apparatet, før de oplades.

Tomme batterier skal fjernes fra apparatet og bortskaffes på sikker vis.

Hvis apparatet opbevares i længere tid uden at blive brugt, skal batterierne fjernes.

Tilslutningskontakterne må ikke kortsluttes.

## TRANSPORT AF LITHIUM-BATTERIER

Lithium-batterier er omfattet af lovgivningen om transport af farligt gods.

Transporten af disse batterier skal ske uden overholdelse af lokale, nationale og internationale regler og bestemmelser.

Forbrugere må transportere disse batterier på veje uden yderligere krav.

Den kommercielle transport af lithium-batterier ved speditjonsfirmaer er omfattet af reglerne for transport af farligt gods. Forberedelse af forsendelse og transport må kun udføres af tilsvarende trænedte personer. Den samlede proces skal følges af fagfolk.

Følgende punkter skal overholdes ved transport af batterier:

Sørg for at kontakterne er beskyttet og isoleret for at forhindre kortslutninger. Sørg for at batteripakken ikke kan bevæge sig inden for emballagen. Beskadigede eller lækkende batterier må ikke transporteres. Kontakt dit speditjonsfirma for at få yderligere oplysninger.

## OVERBELASTNINGSSIKRING FOR BATTERI

Ved overbelastning af akkumulatoren på grund af et meget højt strømforbrug, f.eks. ekstremt høje drejningsmomenter, klemning af det indsatte værktøj, pludseligt stop eller kortslutning, stopper el-værktøjet i 2 sekunder og slukker automatisk. For at tænde igen slippes trykknappen, hvorefter du tænder el-værktøjet igen.

Ved ekstreme belastninger bliver batteriet for varmt. I så fald blinker alle lamper på ladeindikatoren, indtil batteriet er kølet af. Når ladeindikatoren går ud, kan arbejdet genoptages.

Sæt batteriet i ladeadapteren for at genoplade det og aktivere det.

## ARBEJDSANVISNINGER

Værktøjet må kun bruges, hvis det er i ubeskadiget tilstand. Der må aldrig suges uden filter eller med et beskadiget filter.

Undlad at benytte arbejdsmetoder, der ikke er sikre.

Vær særlig forsigtig ved støvsugning på trapper.

Kassér filterelementer, filterposer og affaldsposer i overensstemmelse med nationale bestemmelser.

### Forsigtig: Dette apparat er kun egnet til brug indendørs.

Sørg for god ventilation på arbejdsstedet.

Hvis maskinen ikke fungerer, som den skal, eller er blevet tåbt, beskadiget, efterladt udendørs eller nedsænket i vand, skal den afleveres på et servicecenter eller returneres til forhandleren.

## SERVICE, RENSNING OG REPARATION

Ved arbejde inden i maskinen, bør batteriet tages ud.

Gennemfør kun servicearbejde, som er beskrevet i driftsvejledningen.

Hold altid maskinens ventilationsåbninger rene.

Løse dele (herunder støvsamleren) skal aftages og rengøres.

Fjern altid støv og snavs fra værktøjet. Hold håndtaget rent, tørt og frit for olie eller fedt. Rengør kun værktøjet med mild sæbe og en fugtig klud, da rengørings- og opløsningsmidler er skadelige for plastmaterialer og andre isolerende dele. Anvend aldrig brændbare opløsningsmidler i nærheden af værktøjet.

Støvfilteret skal udskiftes- alt afhængigt af antallet af arbejdstimer. Hold maskinen ren med en tør klud, og en lille mængde rengøringspray.

Der må aldrig sprøjtes vand på sugerenoverdel: fare for personer, kortslutningsfare.

Ved vedligeholdelse gennem brugeren, skal maskinen demonteres, renses og vedligeholdes, i så høj grad som det er rimeligt i praksis uden at forårsage fare for vedligeholdelsespersonalet og andre. Egnede sikkerhedsforanstaltninger inkluderer dekontaminering inden demontering, klargørelse til lokal filterret udsugning, der hvor maskinen demonteres, rengøring af vedligeholdelsesområdet og passende personlige værnemidler.

Ved vedligeholdelses- og reparationsarbejde skal alle snavsede dele, som ikke kunne rengøres tilstrækkeligt, være:

- Indpakket i godt tillukkede poser
- Bortskaffes på en måde, som er i overensstemmelse med reglerne for bortskaffelsen af denne type affald.

Apparatet skal efterses jævnligt af en kvalificeret servicetekniker. For eksempel skal filtrene undersøges for skader, apparatet for lufttæthed, og kontrolmekanismerne, om disse fungerer korrekt.

Anvendelse af uoriginale reservedele, børster og tilbehør kan nedsætte sikkerheden og maskinens funktion. Brug kun Milwaukee-tilbehør og Milwaukee-reservedele. Komponenter, hvor udskiftningsproceduren ikke er beskrevet, skal skiftes ud hos et Milwaukee-servicested (se brochure garanti/kundeserviceadresser).

Ved opgivelse af type nr. der er angivet på maskinens effektskilt, kan de rekvirere en reservedelstegning, ved henvendelse til: Techtronic Industries GmbH, Max-Eyth-Straße 10, 71364 Winnenden, Germany.

## OPBEVARING

Apparatet skal opbevares tørt og beskyttet imod frost.

**Forsigtig: Dette apparat må kun opbevares indendørs.**

## CE-KONFORMITETSERKLÆRING

Vi erklærer som eneansvarlige, at produktet, som beskrives under, „Tekniske data“, opfylder alle de relevante bestemmelser i direktiverne

2011/65/EU (RoHS)

2006/42/EF

2014/30/EU

og følgende harmoniserede standarder er blevet anvendt.

EN 60335-1:2012+A11:2014+A13:2017

EN 60335-2-69:2012

EN 62233:2008

EN 55014-1:2017

EN 55014-2:2015

EN 50581:2012



Winnenden, 2018-07-04

Alexander Krug / Managing Director  
Autoriseret til at udarbejde de tekniske dokumenter.  
Techtronic Industries GmbH  
Max-Eyth-Straße 10, 71364 Winnenden, Germany

## SYMBOLER



VIGTIGT! ADVARSEL! FARE!



Ved arbejde inden i maskinen, bør batteriet tages ud.



Læs brugsanvisningen nøje før ibrugtagning.



Læs brugsanvisningen nøje før ibrugtagning.



Tilbehør - Ikke inkluderet i leveringsomfanget, køb købes som tilbehør.



ADVARSEL: Dette apparat er kun egnet til tør brug.



Beskyttelsesklasse III



V Veksel-spænding



Jævnstrøm



Støvklasse L (IEC 60335-2-69)

Støvparkitlerne, som hører til denne klasse, har grænseværdier for luftforurening > 1mg/m<sup>3</sup>



Elektrisk udstyr eller (genopladelige) batterier må ikke bortskaffes sammen med det almindelige husholdningsaffald. Elektrisk udstyr og genopladelige batterier skal indsamles særskilt og afleveres hos en genbrugsvirksomhed til en miljømæssig forsvarlig bortskaffelse. Spørg de lokale myndigheder eller din forhandler om genbrugsstationer og indsamlingssteder til sådant affald.



Europæisk konformitetsmærke



Ukrainsk konformitetsmærke



Eurasisk konformitetsmærke



Dan

Dansk

TEKNISKE DATA	M18 FBPV
<b>Støvavsug</b>	
Produksjonsnummer	4693 26 01... ... 000001-999999
Spenning vekselbatteri	18 V
Ampere	25 A
Ytelseopptak	380 W
Luftvolumstrøm	1557 l/min 93 m <sup>3</sup> /h
Undertrykk	18,9 kPa 189 mbar
Kapasitet	3,8 l
Filtertype	HEPA H13
Vekt i henhold til EPTA-Prosedyren 01/2014 (Li-Ion 2,0 Ah ... 12,0 Ah)	8,43 kg ... 9,53 kg
Sugeslangediameter	36 mm
Anbefalt omgivelsestemperatur for drift	-18°C ... +50°C
Anbefalte batteripakker	M18B... M18HB...
Anbefalte ladere	M12-18... M1418 C6
<b>Støyinformasjon</b> Måleverdier fastslått i samsvar med ISO 4871. Det typiske A-bedømte støynivået for maskinen er: Lydtryknivå LpA (Usikkerhet K=2dB(A)) Lydeffektnivå LWA (Usikkerhet K=2dB(A))	65 dB (A) 76 dB (A)
<b>Bruk hørselsvern!</b>	
<b>Vibrasjonsinformasjon i henhold til EN 60335-2-69</b> Totale svingningsverdier (vektorsum fra tre retninger) beregnet jf. ISO 5349. Svingningsemissjonsverdi a <sub>n</sub> Usikkerhet K=	0,15 m/s <sup>2</sup> 0,05 m/s <sup>2</sup>



**⚠ ADVARSEL! Les instruksjonsmanualen grundig før apparatet tas i bruk. Les alle sikkerhetsinstruksjoner og bruksanvisninger.**

Feil ved overholdelsen av advarslene og nedenstående anvisninger kan medføre elektriske støt, brann og/eller alvorlige skader.

**OBS! Bruker skal undervises tilstrekkelig over anvendelsen av apparatet!**

**Ta godt vare på alle advarslene og informasjonene.**

**⚠ SPESIELLE SIKKERHETSHENVISNINGER  
STØVAVSUG**

**Dette apparatet er ikke egnet for bruk av personer (herunder og barn) med svekkede kroppslige, sensoriske eller åndelige evner eller manglende erfaring hhv. fagkunnskap. Ut over dette skal det passes på barn for å garantere at de ikke leker med apparatet. Rengjøring og vedlikehold skal ikke utføres av barn uten tilsyn.**

**Dette apparatet skal kun brukes under tilsyn.**

Generelt skal det ikke suges opp brennbare eller eksplosive løsemidler, væsker som bensin, olje, alkohol, tynner og ingen deler (metallspon, aske) som holder en temperatur over 60 °C; dette kan føre til eksplosjons- og brannfare!

Sugeren må ikke komme i nærheten av lettantennelige gasser og stoffer.

Ikke rett munnstykke, slange eller rør mot mennesker eller dyr.

Hold hår, løstsittende klær, fingre og alle kroppsdeler unna åpningene og bevegelige deler. Ikke plasser gjenstander i åpninger eller bruk støvsugeren med åpningene blokkert. Hold åpningene fri for støv, lo, hår og alt annet som kan redusere luftstrømmen.

**ADVARSEL!** For å unngå fare for en brann forårsaket av en kortslutning, av personskader eller skader av produktet, må det forhindres at batteripakken eller laderen dypes i væsker og også sørges for at ingen væsker kan komme inn i apparatene eller batteriene. Korroderende og ledende væsker som saltvann, visse kjemikalier og blekemidler eller produkt som inneholder blekemidler kan forårsake en kortslutning.

Ikke åpne vekselbatterier og ladere, de skal oppbevares i tørre rom. Beskyttes mot fuktighet.

Vekselbatterier av systemet M18 skal kun lades med lader av systemet M18. Ikke bruk batteripakker beregnet for andre systemer.

Før arbeidet settes i gang, må medarbeiderne bli informert om og læres opp innen følgende områder:

- bruk av maskinen
- risikoer knyttet til materiale som samles opp
- sikker avfallshåndtering av oppsamlet materiale

## FORMÅLSMESSIG BRUK

Denne mobile støvavsuger er utformet, utviklet og strengt testet for å fungere effektivt og sikkert når den vedlikeholdes og brukes i samsvar med følgende anvisninger.

- Maskinene som er beskrevet i denne bruksanvisningen er egnet for
- ervervsmessig bruk, f.eks. i hoteller, skoler, sykehus, fabrikker, forretninger, kontorer og utleielokaler.
  - industrielt bruk, som for eksempel fabrikker, anleggsområder og verksteder.
  - fjerning av støv med en eksponerings-grenseverdi over 1 mg/m<sup>3</sup> (støvklasse L).

### **OBS! Dette apparatet er bare egnet for tørr bruk.**

Følgende materialer må ikke suges opp:

- farlig støv tilhørende klassene M og H
- Varme materialer (glødende sigaretter, varm aske osv.)
- Brennbare, eksplosive, aggressive væsker (f.eks. bensin, løsemiddel, syre, lut osv.)
- Brennbart, eksplosivt støv (f.eks. magnesium-, aluminiumstøv osv.)



For maksiner av støvklasse L (med typebetegnelse -0L, -2L) gjelder følgende:

- Apparatet er velegnet for fjerning av tørr ikke-brennbart støv, farlig støv med OEL-verdi > 1mg/m<sup>3</sup>.
- Støvklasse L (IEC 60335-2-69)
- Støvet som tilhører denne klassen har OEL-verdier > 1mg/m<sup>3</sup>
- Filtermaterialet er testet for maskiner beregnet for støvklasse L. Maksimal grad av gjennomtrengelighet er 1% og det finnes ingen spesielle krav til avfallshåndtering.
- Sikre tilstrekkelig luftvekslingstall L når utblåsingsluften returnerer til rommet.

I tillegg til bruksanvisningen og de obligatoriske ulykkesforebyggende reglene som gjelder i landet apparatet brukes i, må vanlige regler for sikkerhet og korrekt bruk følges.

Ulykker som skyldes misbruk kan bare forhindres av dem som bruker maskinen.

### **LES OG FØLG ALLE SIKKERHETSANVISNINGER**

All annen bruk regnes som feilaktig bruk. Produsenten påtar seg ikke ansvar for eventuelle skader som følge av feilaktig bruk. Risikoen hviler i disse tilfeller ene og alene på brukeren. Riktig bruk omfatter riktig betjening, vedlikehold og reparasjoner som angitt av produsenten.

## BATTERIER

Vekselbatterier som ikke er brukt over lengre tid skal etterlades før bruk.

En temperatur over 50°C reduserer vekselbatteriets kapasitet. Unngå oppvarming i sol eller ved varmeovner (fyring) i lengre tid. Hold tilkoplingskontaktene på lader og vekselbatteri rene.

For optimal holdbarhet må batteriene lades opp helt etter bruk.

For å sikre en lengst mulig brukstid av batteriene skal disse etter oppladning taes ut av laderen.

Ved lagring av batteriene lengre enn 30 dager: Lagre batteriet tørt ved ca. 27°C. Lagre batteriet ved en oppladningstilstand på ca. 30%-50%. Lade opp batteriet igjen etter 6 måneder.

Ikke-oppladbare batterier skal ikke lades opp.

Oppladbare batterier skal tas ut av apparatet før de lades opp.

Tomme batterier må tas ut av apparatet og deponeres sikkert.

Dersom apparatet stilles på lager i lengre tid skulle batteriene tas ut. Forbindelse kablene får det ikke lov å kortslutte.

## TRANSPORT AV LITIUM-ION-BATTERI

Litium-ion-batterier faller under de lovfestede forskriftene om transport av farlig gods.

Transporten av disse batteriene må rette seg etter lokale, nasjonale og internasjonale forskrifter og bestemmelser.

Forbruker har lov å transportere disse batteriene på gaten uten reglementering.

Den kommersielle transport av Litium-ion-batterier av spedisjonsfirma faller under bestemmelsene om transport av farlig gods. Forberedningene av forsendelsen og transport skal utelukkende gjennomføres av personer som har blitt skolert til dette. Hele prosessen skal følges opp av fagfolk.

Følgende punkter skal tas hensyn til ved transport:

Kontroller at kontaktene er beskyttet og isolert for å unngå kortslutninger. Pass på at batteripakken i forpakningen ikke kan skli fram og tilbake. Skadede eller batterier som lekker er det ikke lov å transportere. Ta kontakt med spedisjonsfirma for ytterlige henvisninger.

## OVERBELASTNINGSVERN FOR OPPLADBARE BATTERIER

Ved overbelastning av det oppladbare batteriet på grunn av svært høyt strømforbruk f.eks. ved ekstremt høye dreiemomenter, hekking av verktøy som monteres på, plutselige stopp eller kortslutning, stopper elektroverktøyet i 2 sekund og så slår det seg selvstendig av.

For gjeninnkobling, slipp løs bryteren og slå så på igjen.

Ved ekstreme belastninger opphører det oppladbare batteriet seg for sterkt. I slike tilfeller blinker alle lampene på displayet til batteriet er avkjølt. Når lampene har sluttet å blinke, kan man fortsette å arbeide.

Sett batteriet da i laderen for å få det oppladet og aktivert igjen

## ARBEIDSTRUKSJONER

Apparatet skal bare brukes hvis det er i uskadet tilstand. Ikke bruk maskinen hvis filter er skadet.

Ikke bruk utrygge arbeidsteknikker.

Vær ekstra forsiktig når du rengjør trapper.

Kast filterelementer, filterposer og avfallsposer i samsvar med nasjonale bestemmelser.

### **OBS! Dette apparatet er bare egnet for innendørs bruk.**

Sikre god ventilasjon på arbeidsstedet.

Hvis maskinen ikke fungerer korrekt eller har falt ned, blitt skadet, etterlatt utendørs eller har falt ned i vann må den leveres inn til et serviceverksted eller forhandleren.

## VEDLIKEHOLD, RENGJØRING OG REPARASJON

Ta ut vekselbatteriet før du arbeider på maskinen

Det må kun utføres vedlikeholdsarbeider som er beskrevet i driftsinstruksen.

Hold alltid luftenåpningene på maskinen rene.

De avtakbare delene (inkludert støvsamler) bør fjernes for rengjøring.

Fjern alltid støv og smuss fra apparatet. Hold håndtaket rent, tørt og fritt for olje og fett. Rense- og løsemiddel er skadelig for



kunststoff og andre isolerende deler, rengjør derfor apparatet bare med en mild såpe og en fuktig klut. Bruk aldri brennbart løsemiddel in nærheten av apparatet.

Støvfilteret bør fornyes avhengig av antall brukstimer. Hold maskinen ren ved hjelp av en tørr klut og en liten mengde poleringspray. Sugerens overdel må aldri spyles med vann: Fare for personskader og kortslutning.

I forbindelse med brukervedlikehold må maskinen demonteres, rengjøres og vedlikeholdes, så langt det er praktisk mulig, uten å forårsake risiko for vedlikeholdspersonell og andre. Passende forholdsregler omfatter dekontaminering før demontering, for lokal filtrert avtrekksventilasjon der maskinen er demontert, rengjøring av vedlikeholdsområdet og egnet personlig verneutstyr.

Under vedlikehold og reparasjonsarbeid gjelder følgende for alle forurensete deler som ikke kan rengjøres tilstrekkelig:

- Pakkes i godt forseglede poser
- Kastes på en måte som oppfylger gjeldende regelverk for fjerning av slikt avfall.

Apparatet bør jevnlig ha tilsyn av kvalifisert fagpersonell. For eksempel, sjekk filterne for skader, kontroller apparatets lufttetthet og at kontrollmekanismen har korrekt funksjonalitet.

Bruk av uoriginale reservedeler, børster og tilbehør kan skade sikkerheten og/eller funksjonaliteten i apparatet. Bruk kun Milwaukee tilbehør og Milwaukee reservedeler. Komponenter der utskifting ikke er beskrevet skal skiftes ut hos Milwaukee kundeservice (se brosjyre garanti/kundeserviceadresser).

Ved behov kan du be om en eksplosjonstegeting av apparatet hos din kundeservice eller direkte hos Techtronic Industries GmbH, Max-Eyth-Straße 10, 71364 Winnenden, Germany. Oppgi maskintype og det nummeret på typeskiltet.

## OPPBEVARING

Oppbevar maskinen tørt og frostfritt.

**OBS!:** Dette apparatet skal bare lagres innendørs.

## CE-SAMSVARERKLÆRING

Vi erklærer alene ansvar at produktet beskrevet i „Teknisk data“ overensstemmer med alle relevante forskrifter til Eu direktiv 2011/65/EU (RoHS)

2006/42/EC

2014/30/EU

og de følgende harmoniserte normative dokumentene. fyrstikker

EN 60335-1:2012+A11:2014+A13:2017

EN 60335-2-69:2012

EN 62233:2008

EN 55014-1:2017

EN 55014-2:2015

EN 50581:2012



Winnenden, 2018-07-04

Alexander Krug / Managing Director

Autorisert til å utarbeide den tekniske dokumentasjonen

Techtronic Industries GmbH

Max-Eyth-Straße 10, 71364 Winnenden, Germany

## SYMBOLER



OBS! ADVARSEL! FARE!



Ta ut vekselbatteriet før du arbeider på maskinen



Les nøye gjennom bruksanvisningen før maskinen tas i bruk.



Les nøye gjennom bruksanvisningen før maskinen tas i bruk.



Tilbehør - inngår ikke i leveransen, anbefalt komplettering fra tilbehørsprogrammet.



OBS!:



Verneklasse III



Volt



Likestrøm



Støvklasse L (IEC 60335-2-69)

Støvet som tilhører denne klassen har OEL-verdier > 1mg/m<sup>3</sup>



Elektriske apparater, batterier/oppladbare batterier skal ikke kastes sammen med vanlig husholdningsavfall. Elektriske og elektroniske apparater og oppladbare batterier skal samles separat og leveres til miljøvennlig deponering hos en avfallsbedrift. Informer deg hos myndighetene på stedet eller hos din fagforhandler hvor det finnes recycling bedrifter og oppsamlingssteder.



Europeisk samsvarsmerke



Ukrainsk samsvarsmerke



Euroasiatisk samsvarsmerke

Norsk

TEKNISKA DATA	M18 FBPV
<b>Dammutsug</b>	
Produktionsnummer	4693 26 01... ... 000001-999999
Batterispänning	18 V
Ampere	25 A
Ineffekt	380 W
Luftvolymström	1557 l/min 93 m <sup>3</sup> /h
Undertryck	18,9 kPa 189 mbar
Volym	3,8 l
Filtertyp	HEPA H13
Vikt enligt EPTA 01/2014 (Li-Ion 2,0 Ah ... 12,0 Ah)	8,43 kg ... 9,53 kg
Sugslangens diameter	36 mm
Rekommenderad omgivningstemperatur för driften	-18°C ... +50°C
Rekommenderade batterier (Akkupacks)	M18B... M18HB...
Rekommenderade laddare	M12-18... M1418 C6
<b>Bullerinformation</b>	
Mätvärdena har tagits fram baserade på ISO 4871. A-värdet av maskinens ljudnivå utgör:	
Ljudtrycksnivå LpA (Onoggrannhet K=2dB(A))	65 dB (A)
Ljudeffektsnivå LWA (Onoggrannhet K=2dB(A))	76 dB (A)
<b>Använd hörselskydd!</b>	
<b>Information om vibrationer enligt EN 60335-2-69</b>	
Totala vibrationsvärden (vektorsumma ur tre riktningar) framtaget enligt ISO 5349.	
Vibrationsemissionsvärde a <sub>b</sub>	0,15 m/s <sup>2</sup>
Onoggrannhet K=	0,05 m/s <sup>2</sup>



**⚠️ WARNING! Läs bruksanvisningen noggrant innan du använder utrustningen. Läs alla säkerhetsanvisningar och andra tillhörande anvisningar.**

Fel som uppstår till följd av att anvisningarna nedan inte följts kan orsaka elstöt, brand och/eller allvarliga kroppsskador.

**WARNING: Den som använder apparaten ska i detalj informeras om funktionen och om eventuella faror och risker! Förvara alla varningar och anvisningar för framtida bruk.**

#### **⚠️ SÄKERHETSUTRUSTNING DAMMUTSUG**

**Denna apparat ska inte användas av personer (inklusive barn) med nedsatt fysisk, sensorisk eller psykisk förmåga eller bristande erfarenhet resp. fackkunskap. Ha barn alltid under uppsikt för att säkerställa att de inte kan leka med apparaten. Barn får bara göra rengöring och skötsel under uppsikt.**

**Den här utrustningen får endast användas under tillsyn.**

#### **Brand- och explosionsrisk!**

Generellt är det inte tillåtet att suga upp brännbara eller explosiva lösningsmedel och vätskor som bensin, olja, alkohol, förtunning, ej heller delar (metallspån, aska) med temperatur över 60 °C, eftersom det finns risk för explosion eller brand.

Maskinen får inte användas i närheten av brännbara gaser eller vätskor.

Rikta inte slang, munstycke eller rör mot människor eller djur.

Hår, löst sittande kläder, fingrar och alla andra kroppsdelar ska hållas borta från öppningar och rörliga delar. Stick inte in föremål

i öppningarna, maskinen får inte användas om öppningarna är igensatta. Maskinens öppnar ska hållas rena från damm, ludd, hår och annat som kan hindra luftflödet.

**WARNING!** För att undvika den fara för brand, personskador eller produktskador som orsakas av en kortslutning, doppa inte ner verktyget, utbytesbatteriet eller laddaren i vätskor och se till att ingen vätska kan tränga in i apparaterna eller batterierna. Korroderande eller ledande vätskor, som saltvatten, vissa kemikalier, blekningsmedel eller produkter som innehåller blekmedel, kan orsaka en kortslutning.

Batterier lagras torrt och skyddas för fukt.

System M18 batterier laddas endast i System M18 laddare. Använd inte batteripack från andra system.

Innan arbetet inleds måste driftspersonalen informeras om och utbildas inom:

- användning av maskinen
- risker för knippade med materialet som ska sugas upp
- säker bortskaffning av det uppsugna materialet

#### **ANVÄND MASKINEN ENLIGT ANVISNINGARNA**

Denna mobila dammsugare är designad, utvecklad och rigoröst testad för bästa funktion och säkerhet, apparaten ska underhållas och användas på rätt sätt, i enlighet med dessa anvisningar.

- De maskiner som beskrivs i denna bruksanvisning är lämpade för
- yrkesmässig användning, t.ex. i hotell, skolor, sjukhus, fabriker, affärer, kontor och uthyrning
  - industriellt bruk, som t.ex. i fabriker, på byggarbetsplatser och i verkstäder.



- avskiljande av damm med ett expositionsgränsvärde högre än  $1\text{mg}/\text{m}^3$  (dammklass L).

**VARNING: Denna apparat får endast användas under torra förhållanden.**

Följande material får inte sugas upp:

- farligt damm som hör till klasserna M och H
- hett material (glödande cigaretter, het aska osv.)
- brännbara, explosiva, aggressiva vätskor (t.ex. bensen, lösningsmedel, syror, baser osv.)
- brännbart, explosivt, damm (t.ex. magnesium- eller aluminiumdamm osv.)



För maskiner med dammklass L (med typbeteckningarna -0L, -2L) gäller följande:

- Utrustningen lämpar sig för att ta upp torrt, icke lättantändligt och farligt damm med ett yrkeshygieniskt gränsvärde  $> 1\text{mg}/\text{m}^3$ .
- Dammklass L (IEC 60335-2-69)
- Till den här klassen hör damm med yrkeshygieniska gränsvärden  $> 1\text{mg}/\text{m}^3$
- För maskiner som är avsedda för dammklass L har filtermaterialet testats. Den högsta genomsläpplighetsgraden är 1 %, och det finns inga särskilda krav för avfallshanteringen.
- Vid användning av stoftavskiljare måste det ses till att luftväxlingsflödet L är tillräckligt stort när avluften blåses ut i rummet.

Vid sidan om bruksanvisningen och de obligatoriska bestämmelserna beträffande förebyggande av olycksfall som gäller i användarlandet, skall vedertagna regler för säker och korrekt användning beaktas.

Olyckor som orsakas av felaktig användning kan endast förhindras av den som använder produkten.

**LÄS OCH FÖLJA ALLA SÄKERHETSINSTRUKTIONER.**

Alla annan användning betraktas som felaktig. Tillverkaren åtar sig inget ansvar för skador som uppkommer av felaktig användning. Ansvaret för denna typ av fel är helt och hållet användarens. Korrekt användning innebär även korrekt handhavande, underhåll och reparation i enlighet med tillverkarens anvisningar.

**BATTERIER**

Batteri om ej använts på länge måste laddas före nytt bruk.

En temperatur över  $50^\circ\text{C}$  reducerar batteriets effekt. Undvik långre uppvärmning tex i solen eller nära ett element.

Se till att anslutningskontaktarna i laddaren och på batteriet är rena.

För att batterierna ska få lång livslängd ska de laddas fulla efter användning.

För att få en så lång livslängd som möjligt bör laddningsbara batterier avlägsnas från laddaren när de är laddade.

Om laddningsbara batterier lagras längre än 30 dagar: Lagra batteriet torrt och vid ca  $27^\circ\text{C}$ . Lagra batteriet vid ca 30%-50% av laddningskapaciteten. Ladda batterierna på nytt var 6:e månad. Icke laddningsbara batterier får inte laddas.

Avlägsna alltid laddningsbara batterier ur maskinen innan laddningen.

Tomma batterier ska avlägsnas ur maskinen och hanteras som avfall på föreskrivet sätt.

Om maskinen lagras eller inte ska användas en längre tid bör man avlägsna batterierna ur maskinen.

Anslutningskontaktarna får inte kortslutas.

**TRANSPORTERA LITIJUMJON-BATTERIER**

För litiumjon-batterier gäller de lagliga föreskrifterna för transport av farligt gods på väg.

Därför får dessa batterier endast transporteras enligt gällande lokala, nationella och internationella föreskrifter och bestämmelser.

Konsumenter får transportera dessa batterier på allmän väg utan att behöva beakta särskilda föreskrifter.

För kommersiell transport av litiumjon-batterier genom en speditorsfirma gäller emellertid bestämmelserna för transport av farligt gods på väg. Endast personal som känner till alla tillämpliga föreskrifter och bestämmelser får förbereda och genomföra transporten. Hela processen ska följas upp på fackmässigt sätt.

Följande ska beaktas i samband med transporten av batterier:

Säkerställ att alla kontakter är skyddade och isolerade för att undvika kortslutning. Se till att batteripacken inte kan glida fram och tillbaka i förpackningen. Transportera aldrig batterier som läcker, har runnit ut eller är skadade. För mer information vänligen kontakta din speditorsfirma.

**BATTERI-ÖVERBELASTNINGSSKYDD**

Vid överbelastning av batteriet genom mycket hög strömförbrukning, t.ex. vid extremt höga vridmoment, om insatsverktyget kläms fast, ett plötsligt stopp eller vid kortslutning, stoppas elverktyget i 2 sekunder och stängs sedan automatiskt av.

För att sedan sätta på elverktyget igen släpper du tryckbrytaren och tillkopplar sedan verktyget igen.

Vid en extrem belastning blir det laddningsbara batteriet för varmt. I detta fall blinkar alla lampor på laddningsindikeringen så länge tills batteriet har svalnat. När laddningsindikeringen har slocknat kan du fortsätta med arbetet.

Sätt då batteriet i laddaren för att ladda upp och aktivera det igen.

**ARBESANVISNINGAR**

Apparaten får endast användas om den är i oskadat skick. Sug aldrig utan filter eller med ett skadat filter.

Undvik arbetstekniker som innebär säkerhetsrisker.

Var extra uppmärksam vid rengöring av trappor.

Förfoga filterelement, filtersäckar och avfallssäcker i enlighet med nationella lagar.

**OBSERVERA: Denna apparat ska endast användas inomhus.**

Se till att arbetsplatsen är väl ventilerad.

Om maskinen inte fungerar på korrekt sätt eller om den tappats, skadats, lämnats utomhus eller fallit i vatten ska den omgivande lämnas in för service.

**SERVICE, RENGÖRING OCH REPARATIONER**

Drag ur batteripaket innan arbete utföres på maskinen.

Utför endast de servicearbeten som beskrivs i bruksanvisningen.

Se till att motorhöljets luftslitsar är rena.

De avtagbara delarna (inklusive dammuppsamlare) ska tas av för rengöring.

Avlägsna alltid damm och smuts från verktyget. Håll handtaget rent, torrt och fritt från olja och fett. Starka rengörings- och lösningsmedel skadar plast och andra isolerade delar. Använd därför endast en mild tvål och en fuktig duk för att rengöra verktyget. Använd aldrig brandfarliga lösningsmedel i närheten av verktyget.

Beroende på antalet drifttimmar ska dammfiltret bytas ut. Håll maskinen ren med en torr trasa och lite polerspray.

Spola aldrig av dammsugarens överdel med vatten: personfara, kortslutningsrisk.

För användarens underhåll, måste maskinen tas isär, rengöras och underhållas, så långt det är praktiskt möjligt, utan att orsaka risk för underhållspersonalen och andra. Lämpliga försiktighetsåtgärder omfattar dekontaminering före demontering, tillhandahållning av lokal filterdras utslagningsventilation där maskinen demonteras, rengöring av underhållsområdet och lämplig personlig skyddsutrustning.

Vid underhålls- och reparationsarbeten måste alla kontaminerade delar som inte har kunnat rengöras tillräckligt:

- Förpackas i väl förslutna påsar
- Avfallshanteras på ett sätt som överensstämmer med gällande bestämmelser för sådant avfall.

Utrustningen ska inspekteras regelbundet av en behörig service-tekniker. Till exempel så ska filtren kontrolleras med avseende på skador, och utrustningens lufttätethet och styrmekanismens felfria funktion ska kontrolleras.

Apparatens säkerhet och funktion kan försämrats om man använder annat än originalreservdelar, borstar och tillbehör. Använd endast Milwaukee-tillbehör och Milwaukee-reservdelar. Komponenter, för vilka inget byte beskrivs, skall bytas ut hos Milwaukee-kundtjänst (se broschyren garanti-/kundtjänstadresser).

Vid behov av sprängskiss, kan en sådan, genom att uppges maskinens art. nr. (som finns på typskylten) erhållas från: Techtronic Industries GmbH, Max-Eyth-Straße 10, 71364 Winnenden, Germany.

## LAGRING

Lagra apparaten på torrt och frostskyddat ställe.

**OBSERVERA: Denna apparat får endast förvaras inomhus.**

## CE-FÖRSÄKRAN

Vi tar på vårt ansvar att produkten som har beskrivits under Tekniska data uppfyller alla relevanta villkor i direktiven

2011/65/EU (RoHS)

2006/42/EG

2014/30/EU

samt att följande harmoniserade standarder har använts.

EN 60335-1:2012+A11:2014+A13:2017

EN 60335-2-69:2012

EN 62233:2008

EN 55014-1:2017

EN 55014-2:2015

EN 50581:2012



Winnenden, 2018-07-04

Alexander Krug / Managing Director

Befullmäktigad att sammanställa teknisk dokumentation.

Techtronic Industries GmbH

Max-Eyth-Straße 10, 71364 Winnenden, Germany

## SYMBOLER



OBSERVERA! VARNING! FARA!



Drag ur batteripaket innan arbete utföres på maskinen.



Läs instruktionen noga innan du startar maskinen.



Läs instruktionen noga innan du startar maskinen.



Tillbehör - Ingår ej i leveransomfånget, erhålles som tillbehör.



WARNING: Denna apparat får endast användas under torra förhållanden.



Skyddsklass III



Volts Växelström



Likström



Dammklass L (IEC 60335-2-69)

Till den här klassen hör damm med yrkeshygieniska gränsvärden  $> 1 \text{ mg/m}^3$



Elektriska maskiner, batterier/uppladdningsbara batterier och får inte slängas tillsammans med de vanliga hushållsoporna. Elektriska maskiner och uppladdningsbara batterier ska samlas separat och lämnas till en avfallsstation för miljövänlig avfallshantering. Kontakta den lokala myndigheten respektive kommunen eller fråga återförsäljare var det finns speciella avfallsstationer för elskrot.



Europeiskt konformitetsmärke



Ukrainskt konformitetsmärke



Euroasiatiskt konformitetsmärke



TEKNISET ARVOT Pölynpoisto	M18 FBPV
Tuotantomerkki	4693 26 01... ... 000001-999999
Jännite vaihtoakku	18 V
Amp	25 A
Tehonotto	380 W
Ilmavirtaus	1557 l/min 93 m <sup>3</sup> /h
Alipaine	18,9 kPa 189 mbar
Tilavuus	3,8 l
Suodattintyyppi	HEPA H13
Paino EPTA-menettelyn 01/2014 mukaan (Li-Ion 2,0 Ah ... 12,0 Ah)	8,43 kg ... 9,53 kg
Imuletkun halkaisija	36 mm
Suosittelun ympäristön lämpötila käytön aikana	-18°C ... +50°C
Suosittelut akkusarjat	M18B... M18HB...
Suosittelut latauslaitteet	M12-18... M1418 C6
<b>Melunpäästötiedot</b> Mitta-arvot määritetty ISO 4871 mukaan. Koneen tyyppillinen A-luokitettu melutaso: Melutaso LpA (Epävarmuus K=2dB(A)) Äänenvoimakkuus LWA (Epävarmuus K=2dB(A))	65 dB (A) 76 dB (A)
<b>Käytä kuulosuojaimia!</b>	
<b>Tärytystiedot SFS-EN 60335-2-69:en mukaisesti</b> Värähtelyn yhteisarvot (kolmen suunnan vektorisumma) mitattuna ISO 5349 mukaan. Värähtelyemissioarvo a <sub>h</sub> Epävarmuus K=	0,15 m/s <sup>2</sup> 0,05 m/s <sup>2</sup>



**VAROITUS!** Lue käyttöohjeet huolellisesti läpi ennen laitteen käyttämistä. Lue kaikki, myös annetut turvallisuusmääräykset ja käyttöohjeet.

Turvallisuusohjeiden noudattamisen laiminlyönti saattaa johtaa sähköiskuun, tulipaloon ja/tai vakavaan loukkaantumiseen.

**VAROITUS:** Käyttäjälle täytyy opettaa laitteen käyttö riittävän perusteellisesti!

Säilytä kaikki turvallisuus- ja muut ohjeet tulevaisuutta varten.

#### **TURVALLISUUSOHJEET PÖLYNPOISTO**

Tämä laite ei sovi sellaisten henkilöiden (ei myöskään lasten) käytettäväksi, joiden ruumiilliset, aistiperäiset tai henkiset kyvyt ovat rajoitetut tai joilla ei ole tarvittavaa kokemusta tai ammattitaitoa. Lapsia tulee lisäksi valvoa, jotta he eivät missään tapauksessa voi leikkiä laitteella. Lapset eivät saa puhdistaa tai huoltaa laitetta ilman valvontaa.

Tätä laitetta on käytettävä ainoastaan valvonnassa.

#### **Palo- ja räjähdysvaaran!**

Yleensä laitteella ei saa imuroida palavia tai räjähtäviä liuotusaineita eikä nesteitä, kuten bensiiniä, öljyä, alkoholia, ohennusainetta, eikä muitakaan esineitä (metallilastuja, tuhkaa), joiden lämpötila nousee yli 60°C; muuten on olemassa räjähdys- ja palovaara!

Laitetta ei saa käyttää syttyvien kaasujen tai aineiden läheisyydessä.

Älä suuntaa suulaketta, letkua tai putkea ihmisiä tai eläimiä kohti.

Pidä sormet, hiukset, löysät vaatteet ja kaikki kehon osat kaukana aukoista ja liikkuvista osista. Aukkoihin ei saa työntää mitään. Laitetta ei saa käyttää, jos jokin sen aukoista on tukossa. Pidä aukot puhtaana pölystä, nukasta ja karvoista ja kaikesta ilman virtausta haittaavasta.

**VAROITUS!** Jotta vältetään lyhytsulun aiheuttama tulipalon, loukkaantumisen tai tuotteen vahingoittumisen vaara, älä koskaan upota työkalua, vaihtoakkuja tai latauslaitetta nesteeseen ja huolehdi siitä, ettei mitään nesteitä pääse tunkeutumaan laitteiden tai akkujen sisään. Syövyttävät tai sähköä johtavat nesteet, kuten suolavesi, tietyt kemikaalit ja lalkaisuaineet tai valkaisuaineita sisältävät tuotteet voivat aiheuttaa lyhytsulun.

Vaihtoakkuja ja latauslaitteita ei saa avata. Säilytys vain kuivissa tiloissa. Suojattava kosteudelta.

Käytä ainoastaan System M18 latauslaitetta System M18 akkujen lataukseen. Älä käytä muiden järjestelmien akkuja.

Käyttäjille on annettava seuraavat tiedot ja koulutus ennen käyttämisen aloittamista:

- laitteen käyttäminen
- kerättävään materiaaliin liittyvät vaarat
- kerätyn materiaalin turvallinen hävittäminen.

## TARKOITUKSEN MUKAINEN KÄYTTÖ

Tämä siirrettävä pölynkeräin on suunniteltu, kehitetty ja testattu huolellisesti, jotta se toimii tehokkaasti ja turvallisesti, kun se pidetään kunnossa ja sitä käytetään seuraavia ohjeita noudattaen. Tässä käyttöohjeessa kuvatut laitteet soveltuvat

- ammattikäyttöön esim. hotelleissa, kouluissa, sairaaloissa, tehtaissa, myymälöissä, toimistotiloissa ja vuokrattavissa kohteissa
- Teollinen käyttö esim. laitoksissa, rakennustyömaalla ja työpajoissa.
- pölyjen imurointiin, joiden raja-arvot ovat yli 1 mg/m<sup>3</sup> (pölyluokka L)

### VAROITUS: Tämä laite soveltuu käytettäväksi vain kuivaimuun.

Seuraavia materiaaleja ei saa imuroida tällä laitteella:

- Vaaralliset pölyt, jotka kuuluvat luokkiin M ja H
- kuumat aineet (palavat savukkeet, kuuma tuhka jne.)
- syttyvät, räjähtävät, syövyttävät nesteet (esim. bensiini, liuottimet, hapot, emäkset jne.)
- syttyvät, räjähtävät pölyt (esim. magnesium-, alumiinipölyt jne.)



Seuraava koskee pölyluokan L koneita (tyyppinimike -0L, -2L):

- Laite soveltuu kuivan, syttymättömän pölyn keräykseen, vaaralliset pölyt OEL-arvo > 1mg/m<sup>3</sup>.
- Pölyluokka L (IEC 60335-2-69)
- Tämän luokituksen pölyn OEL-arvo on > 1mg/m<sup>3</sup>
- Suodatinmateriaali testataan koneissa, jotka on tarkoitettu pölyluokalle L. Läpäisyn enimmäisaste on 1 %, eikä hävittämislle ole erityisiä vaatimuksia.
- Varmista pölymurin riittävä ilmanvaihtoaste L, kun poistoilma palautetaan huoneeseen.

Käyttöohjeiden ja työturvallisuusmääräysten lisäksi on noudatettava yleisiä turvallisuusmääräyksiä.

Vain laitteen käyttäjät voivat estää väärinkäytön aiheuttamat onnettomuudet.

### LUE KAIKKI TURVALLISUUSOHJEET JA NOUDATA NIITÄ

Muunlainen käyttäminen on kielletty. Valmistaja ei vastaa virheellisen käyttämisen aiheuttamista vahingoista. Käyttäjä on vastuussa virheellisen käyttämisen seurauksista. Lisäksi oikea käyttäminen edellyttää huoltamista ja korjaamista valmistajan ohjeita noudattaen.

## AKKU

Pitkään käyttämättä olleet vaihtoakut on ladattava ennen käyttöä.

Yli 50 °C lämpötilassa akun suorituskyky heikkenee. Vältä akkujen säilyttämistä auringossa tai kuumissa tiloissa.

Pidä aina latauslaitteen ja akun kosketinpinnat puhtaina.

Optimaalisen käyttöiän saavuttamiseksi akut on ladattava täyteen käytön jälkeen.

Mahdollisimman pitkän elinajan takaamiseksi akut tulee poistaa laturista lataamisen jälkeen.

Akkuja yli 30 päivää säilytettäessä: Säilytä akku yli 27 °C:ssa ja kuivassa. Säilytä akku sen latauksen ollessa 30 % - 50 %. Lataa akku 6 kuukauden välein uudelleen.

Lataamiseen soveltumattomia paristoja ei tule ladata uudelleen.

Uudelleenladattavat paristot tulee ottaa laitteesta pois ennen lataamista.

Tyhjät paristot tulee ottaa laitteesta pois ja hävittää turvallisesti.

Jos laite varastoidaan pitemmäksi aikaa, tulisi paristot ottaa pois.

Liitäntäkontakteja ei saa liittää oikosulkuun.

## LITIUMI-IONI AKKujen KULJETTAMINEN

Litiumi-ioniakut kuuluvat vaarallisten aineiden kuljetuksesta annettujen lakien piiriin.

Näiden akkujen kuljettaminen täytyy suorittaa noudattaen paikallisia, kansallisia ja kansainvälisiä määräyksiä ja säädöksiä.

Kuluttajat saavat ilman muuta kuljettaa näitä akkuja teitä pitkin.

Kaupallisessa kuljetuksessa huolintaliikkeiden täytyy kuljettaa litiumi-ioniakkuja vaarallisten aineiden kuljetuksesta annettujen määräysten mukaisesti. Ainoastaan tähän vastaavasti koulutetut henkilöt saavat suorittaa kuljetuksen valmistelutoimet ja itse kuljetuksen. Koko prosessia tulee valvoa asiantuntevasti.

Seuraavat kohdat tulee huomioida akkuja kuljetettaessa:

Varmista, että akkujen kontaktit on suojattu ja eristetty, jotta vältytään lyhytsulut. Huolehdi siitä, ettei akkutarja voi luiskahtaa paikaltaan pakkauksen sisällä. Vahingoittuneita tai vuotavia akkuja ei saa kuljettaa. Pyydä tarkemmat tiedot huolintaliikkeeltäsi.

## AKUN YLIKUORMITUSUOJAUUS

Jos akku ylikuormituu liian suuren virrankulutuksen vuoksi, esim. äärimmäisen suurissa vääntömomenteissa, liitetty työkalun kiinnijuuutuessa, äkkipysähdyksessä tai oikosulussa, niin sähkötyökalu pysähtyy 2 sekunnin ajaksi ja sammuu sitten omatoimisesti. Käynnistä laite uudelleen päästämällä katkaisinpainikkeen irti ja käynnistämällä laitteen sitten uudelleen.

Erittäin suuressa kuormituksessa akku kuumenee liikaa. Tässä tapauksessa latausnäytön kaikki lamput vilkkuvat, kunnes akku on jäähtynyt. Kun latausnäyttö on sammunut, voi työtä jatkaa.

Työnnä akku sitten latauslaitteeseen ja lataa se jälleen, jotta se aktivoituu.

## TYÖSKENTELYOHJEITA

Käytä laitetta vain, kun se on täysin ehjässä kunnossa. Älä käytä imuria jos sen suodatinlementti on viallinen.

Älä käytä vaarallisia työskentelymenetelmiä.

Ole erityisen varovainen imuroidessasi portaita.

Hävitä suodatin elementit, suodatinpussit ja pölypussit kansallisten määräysten mukaisesti.

### HUOMIO: Tätä laitetta saa käyttää vain sisätiloissa.

Työskentelypaikassa on oltava hyvä ilmanvaihto.

Jos laitteessa on toimintahäiriö, jos se on pudonnut tai vahingoittunut, jos se on jätetty ulos tai jos se on pudonnut veteen, toimita se huoltoon huoltokorjaamolle tai jälleenmyyjälle.

## HUOLTO, PUHDISTUS JA KORJAUS

Ota akku pois ennen kaikkia koneeseen tehtäviä toimenpiteitä.

Tee vain käyttöohjeessa kuvatut huoltotyöt.

Pidä moottorin ilmanottoaukot puhtaina.

Irrrottavat osat (mukaan lukien pölysiippari) on poistettava ennen puhdistusta.

Pöly ja lika on poistettava laitteesta. Kahva on pidettävä puhtaana, kuivana ja öljyttömänä tai rasvattomana. Puhdistusaineet ja liuottimet vahingoittavaa muoveja ja muita eristäviä osia, minkä vuoksi laite puhdistetaan vain miedolla saippualla ja kostealla liinalla. Älä käytä koskaan syttyviä liuottimia laitteen lähellä.



Suo

Pölysuodatin on vaihdettava riippuen käyttötuntien määrästä. Puhdista kone kuivalla liinalla ja pienellä määrällä suihkutettavaa kiillotusainetta.

Älä koskaan ruiskuta vettä pölynimurin yläosaan: henkilövahinkojen ja oikosulunvaara.

Laitte on purettava, puhdistettava ja huollettava käyttöhuollon yhteydessä niin pitkälle kuin mahdollista ilman, että käyttöhöhenkilöstölle tai muille aiheutuu vaaratilanteita. Sopivia varotoimenpiteitä ovat dekontaminaatio ennen purkua, luvallinen suodatettu poistotuuletus tilassa, jossa kone puretaan, huoltoalueen puhdistus ja soveltuvat henkilösuojaimet.

Huollon ja korjaustöiden yhteydessä on kaikki saastuneet osat, joita ei voida puhdistaa riittävästi:

- Pakattava hyvin suljettuihin pakkauksiin
- Hävitettävä vastaavaa jätettä koskevien säästöjen mukaisesti.

Laitteet on tarkastettava säännöllisesti kokeneen huoltoteknikon toimesta. Tarkasta suodatinten vauriot ja laitteiden ilmativiys sekä ohjausmekanismin asianmukainen toiminta.

Muiden kuin alkuperäisten varaosien, harjojen ja lisävarusteiden käyttäminen voi heikentää laitteen turvallisuutta ja/tai toimintaa. Käytä ainoastaan Milwaukee lisävarusteita ja Milwaukee varaosia. Mikäli jokin komponentti, jota ei ole kuvailtu, tarvitsee vaihtoa ota yhteys johonkin Milwaukee palvelupisteistä (kts. listamme takuuhuoltoilikkeiden/ palvelupisteiden osoitteista)

Tarpeen vaatiessa voit pyytää lähettämään laitteen kokoonpanopiirustuksen ilmoittamalla arvokilven numeron seuraavasta osoitteesta: Techtronic Industries GmbH, Max-Eyth-Straße 10, 71364 Winnenden, Germany.

## VARASTOINTI

Varastoi laite kuivassa ja jäätymiseltä suojatussa paikassa.

**HUOMIO: Tätä laitetta saa säilyttää vain sisätiloissa.**

## TODISTUS CE-STANDARDINMUKAISUUDESTA

Vakuutamme täten olevamme yksin vastuussa siitä, että kohdassa "Tekniset tiedot" kuvattu tuote vastaa kaikkia direktiivien merkityksellisiä säädöksiä

2011/65/EU (RoHS)

2006/42/EY

2014/30/EU

ja seuraavia yhdenmukaistettuja standardeja on käytetty.

EN 60335-1:2012+A11:2014+A13:2017

EN 60335-2-69:2012

EN 62233:2008

EN 55014-1:2017

EN 55014-2:2015

EN 50581:2012



Winnenden, 2018-07-04

Alexander Krug / Managing Director

Valtuutettu kokoamaan tekniset dokumentit.

Techtronic Industries GmbH

Max-Eyth-Straße 10, 71364 Winnenden, Germany

## SYMBOLIT



**HUOMIO! VAROITUS! VAARA!**



Ota akku pois ennen kaikkia koneeseen tehtäviä toimenpiteitä.



Lue käyttöohjeet huolellisesti, ennen koneen käynnistämistä.



Lue käyttöohjeet huolellisesti, ennen koneen käynnistämistä.



Lisälaite - Ei sisälly vakiovarustukseen, saatavana lisätarvikkeena.



**VAROITUS:** Tämä laite soveltuu käytettäväksi vain kuivaimuun.



Suojaluokka III



Jännite AC



Tasavirta



Pölyluokka L (IEC 60335-2-69)

Tämän luokituksen pölyn OEL-arvo on > 1mg/m<sup>3</sup>



Sähkölaitteita, paristoja/akkuja ei saa hävittää yhdessä kotitalousjätteiden kanssa. Sähkölaitteet ja akut tulee kerätä erikseen ja toimittaa kierrätysliikkeeseen ympäristöystävällistä hävittämistä varten. Pyydä paikallisilta viranomaisilta tai alan kauppiailta tarkemmat tiedot kierrätyspisteistä ja keräyspaikoista.



Euroopan säännönmukaisuusmerkki



Ukrainan säännönmukaisuusmerkki



Euraasian säännönmukaisuusmerkki

ΤΕΧΝΙΚΑ ΣΤΟΙΧΕΙΑ ΣΥΣΤΗΜΑ ΑΠΟΜΑΚΡΥΝΣΗΣ ΣΚΟΝΗΣ	M18 FBPV
Αριθμός παραγωγής	4693 26 01... ... 000001-999999
Τάση ανταλλακτικής μπαταρίας	18 V
Αμπέρ	25 A
Ισχύς εισόδου	380 W
Ροή όγκου αέρα	1557 l/min 93 m <sup>3</sup> /h
Υποπίεση	18,9 kPa 189 mbar
Χωρητικότητα	3,8 l
Τύπος φίλτρου	HEPA H13
Βάρος σύμφωνα με τη διαδικασία EPTA 01/2014 (Li-Ion 2,0 Ah ... 12,0 Ah)	8,43 kg ... 9,53 kg
Διάμετρος σωλήνα αναρρόφησης	36 mm
Συνιστώμενη θερμοκρασία περιβάλλοντος για τη λειτουργία	-18°C ... +50°C
Συνιστώμενη δέσμη συσσωρευτών	M18B... M18HB...
Συνιστώμενη συσκευή φόρτισης	M12-18... M1418 C6
<b>Πληροφορίες θορύβου</b> Τιμές μέτρησης εξακριβωμένες κατά ISO 4871. Η σύφωνα με την καμπύλη A εκτιμηθείσα στάθμη θορύβου του μηχανήματος αναφέρεται σε:	
Στάθμη ηχητικής πίεσης LpA (Ανασφάλεια K=2dB(A))	65 dB (A)
Στάθμη ηχητικής ισχύος LWA (Ανασφάλεια K=2dB(A))	76 dB (A)
<b>Φοράτε προστασία ακοής (ωτασπίδες)!</b>	
<b>Πληροφορίες δόνησης σύμφωνα με το πρότυπο EN 60335-2-69</b> Υλικές τιμές κραδασμών (άθροισμα διανυσμάτων τριών διευθύνσεων) εξακριβώθηκαν σύμφωνα με τα πρότυπα ISO 5349.	
Τιμή εκπομπής δονήσεων a <sub>h</sub> Ανασφάλεια K=	0,15 m/s <sup>2</sup> 0,05 m/s <sup>2</sup>



**⚠ ΠΡΟΕΙΔΟΠΟΙΗΣΗ! Διαβάστε το εγχειρίδιο οδηγιών προσεκτικά, πριν χρησιμοποιήσετε τη συσκευή. Διαβάστε όλες τις Υποδείξεις ασφαλείας και τις Οδηγίες.**

Αμέλειες κατά την τήρηση των προειδοποιητικών υποδείξεων μπορεί να προκαλέσουν ηλεκτροπληξία, κίνδυνο πυρκαγιάς ή/και σοβαρούς τραυματισμούς.

**ΠΡΟΣΟΧΗ: Ο χρήστης πρέπει να ενημερωθεί επαρκώς για τον τρόπο χρήσης της συσκευής.**

**Φυλάξτε όλες τις προειδοποιητικές υποδείξεις και οδηγίες για κάθε μελλοντική χρήση.**

**⚠ ΕΙΔΙΚΕΣ ΥΠΟΔΕΙΞΕΙΣ ΑΣΦΑΛΕΙΑΣ ΣΥΣΤΗΜΑ ΑΠΟΜΑΚΡΥΝΣΗΣ ΣΚΟΝΗΣ**

Αυτή η συσκευή δεν ενδείκνυται για χρήση από άτομα (συμπεριλαμβανομένων των παιδιών) με περιορισμένες σωματικές, αισθητήριες ή νοητικές ικανότητες, ελλιπή εμπειρία ή γνώσεις. Τα παιδιά πρέπει πάντα να επιτηρούνται ώστε να είναι βέβαιο ότι δεν παίζουν με τη συσκευή. Ο καθαρισμός και η συντήρηση μέσω χρήστη δεν επιτρέπεται να εκτελείται από παιδιά χωρίς επιτήρηση.

Η συσκευή αυτή επιτρέπεται να λειτουργεί μόνο υπό επιτήρηση.

**Πυρκαγιάς και έκρηξης!**

Γενικά δεν επιτρέπεται να απορροφηθούν εύφλεκτες ή εκρηκτικές διαλυτικές ουσίες, υγρά όπως βενζίνη, λάδι, οινόπνευμα, διαλυτικά και εξαρτήματα (γρέσια μέταλλου, στάχτη), που έχουν μία

θερμοκρασία πάνω από 60 °C, επειδή υπάρχει κίνδυνος έκρηξης και πυρκαγιάς!

Η συσκευή δεν επιτρέπεται να χρησιμοποιηθεί κοντά σε εύφλεκτα αέρια ή εύφλεκτες ουσίες.

Μην τείνετε ποτέ το ακροφύσιο, το λάστιχο ή τον σωλήνα προς ανθρώπους ή ζώα.

Να κρατάτε μακριά από τα ανοίγματα και τα κινούμενα μέρη τα μαλλιά, τα ρούχα, τα δάχτυλα και όλα τα μέρη του σώματός σας. Μην τοποθετείτε αντικείμενα στα ανοίγματα και μην χρησιμοποιείτε το μηχανήμα όταν κάποιο άνοιγμα είναι φραγμένο. Να διατηρείτε τα ανοίγματα καθαρά από σκόνη, χνούδια, τρίχες και οτιδήποτε άλλο μπορεί να μειώσει τη ροή του αέρα.

**ΠΡΟΕΙΔΟΠΟΙΗΣΗ!** Για να αποτρέπεται τον κίνδυνο πυρκαγιάς λόγω βραχυκυκλώματος, τραυματισμούς ή ζημιές του προϊόντος, να μη βυθίζετε το εργαλείο, τον ανταλλακτικό συσσωρευτή ή τη συσκευή φόρτισης σε υγρά και να φροντίζετε, ώστε να μη διεισθύνουν υγρά στις συσκευές και τους συσσωρευτές. Διαβρωτικές ή αγώγιμες υγρές ουσίες, όπως αλατόνερο, ορισμένες χημικές ουσίες και λευκαντικά ή προϊόντα που περιέχουν λευκαντικά, μπορεί να προκαλέσουν βραχυκύκλωμα.

Μην ανοίγετε τις ανταλλακτικές μπαταρίες και τους φορτιστές και χρησιμοποιείτε για αποθήκευση μόνο στεγνούς χώρους. Προστατεύετε τις ανταλλακτικές μπαταρίες και τους φορτιστές από την υγρασία.

Φορτίζετε τις ανταλλακτικές μπαταρίες του συστήματος M18 μόνο με φορτιστές του συστήματος M18. Μη χρησιμοποιείτε πακέτα μπαταριών από άλλα συστήματα.

Πριν την έναρξη των εργασιών, οι χειριστές πρέπει να ενημερωθούν και να εκπαιδευτούν στα εξής θέματα:

- Χρήση του μηχανήματος
- Κίνδυνοι που σχετίζονται με το υλικό προς συλλογή
- Ασφαλής απόρριψη του συλλεχθέντος υλικού

#### ΧΡΗΣΗ ΣΥΜΦΩΝΑ ΜΕ ΤΟ ΣΚΟΠΟ ΠΡΟΟΡΙΣΜΟΥ

Αυτός ο φορτίς αναρροφητήρας σκόνης έχει σχεδιαστεί, κατασκευαστεί και ελεγχθεί διεξοδικά ώστε να λειτουργεί αποτελεσματικά και με ασφάλεια εφόσον συντηρείται σωστά και χρησιμοποιείται σύμφωνα με τις ακόλουθες οδηγίες. Οι συσκευές που περιγράφονται στις παρούσες οδηγίες λειτουργίας είναι κατάλληλες

- για επαγγελματική χρήση, π.χ. σε ξενοδοχεία, σχολεία, νοσοκομεία, εργοστάσια, καταστήματα, γραφεία και μαγαζιά
- βιομηχανική χρήση, όπως π.χ. εργοστάσια, εργοτάξια κατασκευών και εργαστήρια.
- για το διαχωρισμό σκόνης με οριακή τιμή έκθεσης μεγαλύτερης των  $1 \text{ mg/m}^3$  (τάξη σκόνης L).

**ΠΡΟΣΟΧΗ:** Αυτή η συσκευή είναι κατάλληλη μόνο για χρήση κάτω από ξηρές συνθήκες.

Απαγορεύεται η αναρρόφηση των παρακάτω υλικών:

- επικίνδυνες σκόνες που ανήκουν στις κατηγορίες M και H
- καυτά αντικείμενα (αναμμένα τσιγάρα, καύτρες, κ.τ.λ.)
- εύφλεκτα, εκρηκτικά, επιθετικά υγρά (π.χ. βενζίνη, διαλυτικά, οξέα, αλκάλια, κ.τ.λ.)
- εύφλεκτες, εκρηκτικές σκόνες (π.χ. σκόνη μαγνησίου ή αλουμινίου, κ.τ.λ.)



Για μηχανήματα Κατηγορίας Σκόνης L (με ονομασία τύπου -0L, -2L) ισχύουν τα εξής:

- Η συσκευή αυτή είναι κατάλληλη για τη συλλογή ξηράς, εύφλεκτης σκόνης, επικίνδυνες σκόνης με τιμή OEL (οριακή τιμή επαγγελματικής έκθεσης)  $> 1 \text{ mg/m}^3$ .
- Κατηγορία Σκόνης L (IEC 60335-2-69)
- Οι σκόνες που ανήκουν σε αυτή την κατηγορία έχουν τιμές OEL  $> 1 \text{ mg/m}^3$
- Για μηχανήματα που προορίζονται για Κατηγορία Σκόνης L, γίνεται δοκιμή του υλικού φίλτρου. Ο μέγιστος βαθμός διαπερατότητας είναι 1% και δεν υπάρχει ειδική απαίτηση για την απόρριψη.
- Για απομακρυντές σκόνης διασφαλίστε επαρκή συχνότητα ανανέωσης του αέρα L, όταν ο αέρας εξαγωγής επιστρέφει στο δωμάτιο.

Εκτός από τις οδηγίες λειτουργίας και τους δεσμευτικούς κανονισμούς πρόληψης ατυχημάτων που ισχύουν στη χώρα χρήσης, τηρείτε τους αποδεκτούς κανονισμούς ασφαλείας και ορθής χρήσης.

Τυχόν ατυχήματα που οφείλονται σε κακή χρήση είναι δυνατόν να αποτραπούν μόνο από εκείνους που χρησιμοποιούν τη συσκευή.

#### ΔΙΑΒΑΣΤΕ ΚΑΙ ΑΚΟΛΟΥΘΗΣΤΕ ΟΛΕΣ ΤΙΣ ΟΔΗΓΙΕΣ ΑΣΦΑΛΕΙΑΣ.

Οποιαδήποτε άλλη χρήση θεωρείται ακατάλληλη. Ο κατασκευαστής δεν αποδέχεται τη νομική ευθύνη για οποιαδήποτε ζημία προκύψει από τέτοια χρήση. Η ευθύνη για τους κινδύνους που απορρέουν από τέτοιου είδους χρήση βαρύνει αποκλειστικά τον χρήστη. Η κατάλληλη χρήση περιλαμβάνει επίσης τον κατάλληλο χειρισμό, την κατάλληλη συντήρηση και τις κατάλληλες επισκευές, όπως προσδιορίζονται από τον κατασκευαστή.

#### ΜΠΑΤΑΡΙΕΣ

Επαναφορτίζετε τις ανταλλακτικές μπαταρίες που δεν έχουν χρησιμοποιηθεί για μεγαλύτερο χρονικό διάστημα πριν τη χρήση.

Μια θερμοκρασία πάνω από  $50^\circ\text{C}$  μειώνει την ισχύ της ανταλλακτικής μπαταρίας. Αποφύγετε τη θέρμανση για μεγαλύτερο χρονικό διάστημα από τον ήλιο ή τις συσκευές θέρμανσης.

Διατηρείτε τις επαφές σύνδεσης στο φορτιστή και στην ανταλλακτική μπαταρία καθαρές.

Για μια άριστη διάρκεια ζωής πρέπει μετά τη χρήση οι μπαταρίες να φορτιστούν πλήρως.

Για μια κατά το δυνατόν μεγάλη διάρκεια ζωής οι μπαταρίες μετά τη φόρτιση οφείλουν να αφαιρεθούν από τον φορτιστή.

Για την αποθήκευση της μπαταρίας για διάστημα μεγαλύτερο των 30 ημερών: Αποθηκεύετε τη μπαταρία περ. στους  $27^\circ\text{C}$  σε στεγνό χώρο. Αποθηκεύετε τη μπαταρία περ. στο 30%-50% της κατάστασης φόρτισης. Κάθε 6 μήνες φορτίζετε εκ νέου τη μπαταρία.

Οι μη επαναφορτιζόμενες μπαταρίες δεν πρέπει να επαναφορτίζονται.

Οι επαναφορτιζόμενες μπαταρίες πρέπει να αφαιρεθούν από τη συσκευή.

Οι άδειες μπαταρίες πρέπει να αφαιρεθούν από τη συσκευή και να απορριφθούν με ασφάλεια.

Αν αποθηκεύσετε τη συσκευή για ένα μεγαλύτερο χρονικό διάστημα, αφαιρέστε τις μπαταρίες.

Μην βραχυκυκλώνετε τους ακροδέκτες των ηλεκτρικών συνδέσεων.

#### ΜΕΤΑΦΟΡΑ ΤΩΝ ΜΠΑΤΑΡΙΩΝ ΙΟΝΤΩΝ ΛΙΘΙΟΥ

Οι μπαταρίες ιόντων λιθίου υπόκεινται στις απαιτήσεις των νομικών διατάξεων για την μεταφορά επικινδύνων εμπορευμάτων.

Η μεταφορά τέτοιων μπαταριών πρέπει να πραγματοποιείται τηρώντας τους τοπικούς, εθνικούς και διεθνείς κανονισμούς και τις αντίστοιχες διατάξεις.

Επιτρέπεται η μεταφορά τέτοιων μπαταριών στο δρόμο χωρίς περαιτέρω απαιτήσεις.

Η εμπορική μεταφορά μπαταριών ιόντων λιθίου από εταιρείες μεταφορών υπόκειται στις απαιτήσεις των νομικών διατάξεων για την μεταφορά επικινδύνων εμπορευμάτων. Οι προετοιμασίες αποστολής και η μεταφορά πραγματοποιούνται αποκλειστικά από ειδικά εκπαιδευμένα πρόσωπα. Η συνολική διαδικασία συνοδεύεται από εξειδικευμένο προσωπικό.

Κατά τη μεταφορά μπαταριών ιόντων λιθίου πρέπει να προσέχετε τα εξής:

Φροντίστε τα σημεία επαφών να είναι προστατευμένα και μονωμένα ώστε να αποφευχθούν βραχυκυκλώματα. Προσέξτε το πακέτο μπαταριών να είναι σταθερό μέσα στη συσκευασία και να μη γλιστρά. Η μεταφορά μπαταριών που παρουσιάζουν φθορές ή διαρροές δεν επιτρέπεται. Για περισσότερες πληροφορίες απευθυνθείτε στην εταιρεία μετάφορων.

#### ΠΡΟΣΤΑΣΙΑ ΥΠΕΡΦΟΡΤΩΣΗΣ ΤΗΣ ΜΠΑΤΑΡΙΑΣ

Σε περίπτωση υπερφόρτισης συσσωρευτή μέσω πολύ υψηλής κατανάλωσης ρεύματος, π.χ. υπερβολικά υψηλή ροπή στρέψης, μάγκωμα του έθνους εργαλείου, ξαφνικό σταμάτημα ή βραχυκύκλωμα, σταματά ο ηλεκτρικό εργαλείο για 2 δευτερόλεπτα και απενεργοποιείται αυτόματα.

Για μια νέα ενεργοποίηση, αφήνετε ελεύθερο το διακόπτη και στη συνέχεια ενεργοποιείτε εκ νέου.

Κάτω από ακραίες καταπονήσεις θερμαίνεται πάρα πολύ η

μπαταρία. Στην περίπτωση αυτή αναβοσβήνουν όλες οι λάμπες της ένδειξης φόρτισης μέχρι να έχει κρουώσει η μπαταρία. Μετά το σβήσιμο της ένδειξης φόρτισης μπορεί να συνεχιστεί η συνεργασία. Τοποθετείτε στη συνέχεια τη μπαταρία στη συσκευή φόρτισης για να τη φορτίσετε πάλι και να την ενεργοποιήσετε.

#### ΥΠΟΔΕΙΞΕΙΣ ΕΡΓΑΣΙΑΣ

Χρησιμοποιείτε τη συσκευή, μόνο αν βρίσκεται αν δεν παρουσιάζει βλάβη. Μην χρησιμοποιείτε ποτέ την λειτουργία αναρόφησης αν το φίλτρο είναι κατεστραμμένο ή αν δεν υπάρχει φίλτρο.

Μην χρησιμοποιείτε μη ασφαλείς τεχνικές εργασίας.

Να προσέχετε ιδιαίτερα όταν καθαρίζετε σκάλες.

Απορρίψτε τα στοιχεία φίλτρου, σάκοι φίλτρο και σάκοι απορρι, σύμφωνα με τους εθνικούς κανονισμούς.

**ΠΡΟΣΟΧΗ: Αυτή η συσκευή είναι κατάλληλη μόνο για εσωτερική χρήση.**

Φροντίστε να υπάρχει καλός αερισμός στο χώρο εργασίας.

Εάν το μηχάνημα δεν λειτουργεί σωστά, έχει πέσει, έχει παρουσιάσει βλάβη, έχει παραμείνει σε εξωτερικό χώρο ή έχει πέσει στο νερό, επιστρέψτε το σε ένα κέντρο σέρβις ή έναν αντιπρόσωπο.

#### ΣΥΝΤΗΡΗΣΗ, ΚΑΘΑΡΙΣΜΟΣ ΚΑΙ ΕΠΙΣΚΕΥΗ

Πριν από κάθε εργασία στη μηχανή αφαιρείτε την ανταλλακτική μπαταρία.

Διεξάγετε μόνο τις εργασίες συντήρησης που περιγράφονται στις οδηγίες λειτουργίας.

Διατηρείτε πάντοτε τις σχισμές εξαερισμού της μηχανής καθαρές.

Τα αφαιρούμενα τμήματα (συμπεριλαμβανομένου του συλλέκτη σκόνης) θα πρέπει να αφαιρούνται προς καθαρισμό.

Αφαιρείτε πάντα τη σκόνη και τη βρομιά από τη συσκευή.

Διατηρείτε τη χειρολαβή καθαρή, στεγνή και χωρίς λάδια και γράσα. Προϊόντα καθαρισμού και διαλύτες βλάπτουν τα συνθετικά υλικά και άλλα μονωτικά εξαρτήματα, για το λόγο αυτό καθαρίζετε τη συσκευή με ήπιο σαπούνι και ένα υγρό πανί. Ποτέ μη χρησιμοποιείτε εύφλεκτους διαλύτες κοντά στη συσκευή.

Ανάλογα με τον αριθμό των ωρών λειτουργίας – το φίλτρο σκόνης θα πρέπει να ανανεώνεται. Διατηρείτε το μηχάνημα καθαρό με ένα στεγνό πανί και μια μικρή ποσότητα σπρέι στίλβωσης.

Μην βρέχετε ποτέ τοπάνω μέρος αναρροφητήρα με νερό: κίνδυνος για την ακεραιότητα ατόμων, κίνδυνος βραχυκυκλώματος.

Για τη συντήρηση από τον χρήστη απαιτείται η αποσυναρμολόγηση της μηχανής, ενώ ο καθαρισμός και η επισκευή θα πρέπει να πραγματοποιηθούν, στα πλαίσια του εφικτού, χωρίς να υπάρξει κίνδυνος για το προσωπικό συντήρησης και άλλους. Οι ενδεξιμμένες προφυλάξεις περιλαμβάνουν την απολύμανση πριν από την αποσυναρμολόγηση, την διασφάλιση φιλτραρισμένου εξαερισμού με εντοπισμένη αναρόφηση στο σημείο αποσυναρμολόγησης της μηχανής, τον καθαρισμό της περιοχής συντήρησης και κατάλληλα μέσα ατομικής προστασίας.

Κατά τη διάρκεια των εργασιών συντήρησης και επισκευής, όλα τα ρυπασμένα τμήματα, που δεν ήταν δυνατόν να καθαριστούν επαρκώς, πρέπει:

- Να είναι συσκευασμένα σε καλά σφραγισμένους σάκους
- Να απορριφθούν με τρόπο που να συμμορφώνεται με τους ισχύοντες κανονισμούς για την απομάκρυνση τέτοιων αποβλήτων.

Η συσκευή αυτή θα πρέπει να επιθεωρείται τακτικά από εκπαιδευμένο τεχνικό σέρβις. Για παράδειγμα, ελέγχετε τα φίλτρα

για ζημιές και ελέγχετε την αεροστεγανότητα της συσκευής και την κατάλληλη λειτουργικότητα του μηχανισμού ελέγχου.

Η χρήση μη γνήσιων ανταλλακτικών και εξαρτημάτων ενδέχεται να επηρεάσει αρνητικά την ασφάλεια της συσκευής. Χρησιμοποιείτε μόνο αξεσουάρ Milwaukee και ανταλλακτικά Milwaukee. Εξαρτήματα, που η αλλαγή τους δεν περιγράφεται, αντικαθιστώνται σε μια τεχνική υποστήριξη της Milwaukee (βλέπε φυλλάδιο εγγύηση/ διευθύνσεις τεχνικής υποστήριξης).

Όταν χρειάζεται, μπορείτε να ζητήσετε ένα σχέδιο συναρμολόγησης της συσκευής, δίνοντας τον τύπο της μηχανής και αριθμό στην πινακίδα ισχύος, από το κέντρο σέρβις ή απευθείας από τη φίρμα Techtronic Industries GmbH, Max-Eyth-Straße 10, 71364 Winnenden, Germany.

#### ΑΠΟΘΗΚΕΥΣΗ

Αποθηκεύστε τη συσκευή σε ξηρό χώρο και προστατευμένη από παγετούς.

**ΠΡΟΣΟΧΗ: Αυτή η συσκευή επιτρέπεται να αποθηκευτεί μόνο σε εσωτερικούς χώρους.**

#### ΔΗΛΩΣΗ ΠΙΣΤΟΤΗΤΑΣ ΕΚ

Δηλώνουμε με αποκλειστική μας ευθύνη, ότι το προϊόν που περιγράφεται στα «Τεχνικά Χαρακτηριστικά» συμμορφώνεται με όλες τις σχετικές διατάξεις των οδηγιών

2011/65/ΕΕ (RoHS)

2006/42/ΕΚ

2014/30/ΕΕ

και έχουν εφαρμοστεί τα ακόλουθα εναρμονισμένα πρότυπα

EN 60335-1-2:2012+A11:2014+A13:2017

EN 60335-2-69:2012

EN 62233:2008

EN 55014-1-2:2017

EN 55014-2:2015

EN 50581:2012



Winnenden, 2018-07-04

Alexander Krug / Managing Director

Εξουσιοδοτημένος να συντάξει τον τεχνικό φάκελο.

Techtronic Industries GmbH

Max-Eyth-Straße 10, 71364 Winnenden, Germany





## ΣΥΜΒΟΛΑ



ΠΡΟΣΟΧΗ! ΠΡΟΕΙΔΟΠΟΙΗΣΗ! ΚΙΝΔΥΝΟΣ!



Πριν από κάθε εργασία στη μηχανή αφαιρείτε την ανταλλακτική μπαταρία.



Παρακαλώ διαβάστε σχολαστικά τις οδηγίες χρήσης πριν από την έναρξη λειτουργίας.



Παρακαλώ διαβάστε σχολαστικά τις οδηγίες χρήσης πριν από την έναρξη λειτουργίας.



Εξαρτήματα - Δεν περιλαμβάνονται στα υλικά παράδοσης, συνιστούμενη προσθήκη από το πρόγραμμα εξαρτημάτων.



ΠΡΟΣΟΧΗ: Αυτή η συσκευή είναι κατάλληλη μόνο για χρήση κάτω από ξηρές συνθήκες.



Κατηγορία προστασίας III



Βολτ AC



Συνεχές ρεύμα



Κατηγορία Σκόνης L (IEC 60335-2-69)

Οι σκόνες που ανήκουν σε αυτή την κατηγορία έχουν τιμές OEL > 1 mg/m<sup>3</sup>



Ηλεκτρικά μηχανήματα, μπαταρίες/συσσωρευτές δεν επιτρέπεται να απορρίπτονται μαζί με τα οικιακά απορρίμματα. Ηλεκτρικά μηχανήματα και συσσωρευτές συλλέγονται ξεχωριστά και παραδίδονται προς ανακύκλωση με τρόπο φιλικό προς το περιβάλλον σε επιχείρηση επεξεργασίας απορριμμάτων. Ενημερωθείτε από τις τοπικές υπηρεσίες ή από ειδικευμένους εμπόρους σχετικά με κέντρα ανακύκλωσης και συλλογής απορριμμάτων.



Ευρωπαϊκό σήμα πιστότητας



Ουκρανικό σήμα πιστότητας



Ευρασιατικό σήμα πιστότητας



EL

TEKNİK VERİLER	M18 FBPV
<b>Emme sistemi</b>	
Üretim numarası	4693 26 01... ... 000001-999999
Kartuş akü gerilimi	18 V
Amper	25 A
Güç girişi	380 W
Hava hacmi akımı	1557 l/min 93 m <sup>3</sup> /h
Vakum	18,9 kPa 189 mbar
Tutma kapasitesi	3,8 l
Filtre türü	HEPA H13
Ağırlığı ise EPTA-üretici 01/2014'e göre (Li-Ion 2,0 Ah ... 12,0 Ah)	8,43 kg ... 9,53 kg
Emme hortumu çapı	36 mm
Çalıştırılması için tavsiye edilen ortam sıcaklığı	-18°C ... +50°C
Tavsiye edilen güç paketleri	M18B... M18HB...
Tavsiye edilen şarj aletleri	M12-18... M1418 C6
<b>Gürültü bilgileri</b>	
Ölçüm değerleri ISO 4871 e göre belirlenmektedir. Aletin, frekansa bağımlı uluslararası ses basıncı seviyesi değerlendirme eğrisi A'ya göre tipik gürültü seviyesi:	
Ses basıncı seviyesi LpA (Tolerans K=2dB(A))	65 dB (A)
Akustik kapasite seviyesi LWA (Tolerans K=2dB(A))	76 dB (A)
<b>Koruyucu kulaklık kullanın!</b>	
<b>EN 60335-2-69 uyarınca titreşim bilgileri</b>	
Toplam titreşim değeri (üç yönün vektör toplamı) ISO 5349'e göre belirlenmektedir:	
titreşim emisyon değeri a <sub>n</sub>	0,15 m/s <sup>2</sup>
Tolerans K=	0,05 m/s <sup>2</sup>



Tür

**⚠ UYARI! Cihazı kullanmadan önce talimatlar eli kitabını dikkatle okuyun. Güvenlikle ilgili bütün açıklamaları.**

Açıklanan uyarılara ve talimat hükümlerine uyulmadığı takdirde elektrik çarpmalarına, yangınlarla ve/veya ağır yaralanmalara neden olunabilir.

**İKAZ: Kullanıcıya cihazın kullanımı hakkında yeterli bilgi verilmelidir!**  
**Bütün uyarıları ve talimat hükümlerini ileride kullanmak üzere saklayın.**

**⚠ GÜVENLİĞİNİZ İÇİN TALIMATLAR EMME SİSTEMİ**

**Bu cihaz, bedensel, duyuşal veya zihinsel becerileri yetersiz olan veya deneyimi veya teknik bilgisi olmayan insanlar (çocuklar dahil) tarafından kullanılmaya uygun değildir. Çocukların ayrıca, cihazla oynamalarını için gözetim altında tutulması gerekmektedir. Temizlik ve kullanıcı bakımı çocuklar tarafından yapılamaz.**

**Bu cihaz sadece gözetim altında çalıştırılmalıdır.**

**Yangın ve patlama tehlikesi!**

Bu aletle genel olarak benzin, yağ, alkol, inceltici gibi yanıcı ve patlayıcı maddeler ve sıcaklığı 60°C'nin üzerindeki parçalar (metal talaşları, kül) emdirilemez; aksi takdirde patlama ve yangın tehlikesi ortaya çıkar!

Bu alet alevlenebilir gaz ve benzeri malzemelerin yakınında kullanılamaz.

Memeyi, hortumu veya boruyu insanlara ve hayvanlara doğrultmayın.

Saçları, gevşek giysileri, parmakları ve vücudun tüm uzuvlarını açıklıklardan ve hareketli parçalardan uzak tutun. Açıklıklara hiçbir nesne koymayın ya da açıklıklar tıkalı halde ürünü kullanmayın. Açıklıklarda toz, tiftik, saç ya da hava akışını azaltabilecek hiçbir malzeme olmadığından emin olun.

**UYARI!** Bir kısa devreden kaynaklanan yangın, yaralanma veya ürün hasarları tehlikesini önlemek için aleti, güç paketini veya şarj cihazını asla sıvıların içine daldırmayın ve cihazların ve pillerin içine sıvı girmesini önleyiniz. Tuzlu su, belirli kimyasallar, ağartıcı madde veya ağartıcı madde içeren ürünler gibi korozif veya iletken sıvılar kısa devreye neden olabilir.

Kartuş aküleri ve şarj cihazını açmayın ve sadece kuru yerlerde saklayın. Neme ve ıslanmaya karşı koruyun.

M18 sistemli kartuş aküleri sadece M18 sistemli şarj cihazları ile şarj edin. Başka sistemlere ait pil takımları kullanmayın.

İşe başlamadan önce çalışan personelin şu konularda bilgilendirilmesi ve eğitilmesi gerekmektedir:

- makinenin kullanımı
- çekilecek malzemeyle ilgili riskler
- çekilecek malzemenin güvenle atılması

Türkçe

## KULLANIM

Bu mobil toz emici uygun olarak kullanıldığında etkili ve güvenli biçimde çalışması için tasarlanmıştır, geliştirilmiş ve sıkı biçimde test edilmiştir.

Bu işletme kılavuzunda tarif edilen cihazlar

- örn. oteller, okullar, hastaneler, fabrikalar, dükkanlar, bürolar ve kiralık işletmeler gibi ticari yerlerde
- Tesisler, inşaat şantiyeleri ve atölyeler gibi sanayi kullanımını.
- yayılma sınıyrı deđeri 1 mg/m<sup>3</sup> üzerinde olan tozların (toz sınıyrı L) emilmesi için kullanılmaya elverişlidir.

**İKAZ: Bu cihaz sadece kuru temizlik işleri için uygundur.**

Aşağıdaki malzemelerin emdirilmesi uygun değildir:

- M ve H sınıflarına ait tehlikeli tozlar
- sıcak malzemeler (yanan izmaritler, sıcak kül vs.)
- yanabilir, patlayabilir, aşındırıcı sıvılar (örn. benzin, solventler, asitler, lavgalar vs.)
- yanabilir, patlayabilir tozlar (örn. magnezyum, alüminyum tozu vs.)



Tür



L Toz Sınıfı makineler için (-0L, -2L tip tanımlı) aşağıdakiler uygulanır:

- Cihaz kuru, tutuşmaz toz, OEL değeri > 1mg/m<sup>3</sup> tehlikeli tozlar toplamaya uygundur.
- Toz Sınıfı L (IEC 60335-2-69)
- Bu sınıf kapsamındaki tozlar 1mg/m<sup>3</sup> üstünde OEL değerine sahiptir
- Toz Sınıfı L'ye yönelik makineler için filtre malzemesi test edilir. Azami geçirgenlik derecesi %1 olup, imha etme için özel bir gereklilik yoktur.
- Toz ayırıcılar için, egzoz havası odaya geri verildiğinde uygun hava değişim oranı L bulunmasını sağlayın .

Çalıştırma talimatlarının ve kullanılan ülkede geçerli olan bağlayıcı kaza önleme talimatlarının yanı sıra, kabul görülen güvenlik ve uygun kullanım düzenlemelerine uygun hareket edin

Yanlış kullanımdan kaynaklanan kazalar yalnızca makineyi kullan-anlar tarafından önenebilir.

## TÜM GÜVENLİK TALİMATLARINI OKUYUN VE UYGULAYIN

Tüm diğer uygulamalar uygunsuz kullanım olarak kabul edilecektir. Üretici, bu tür bir kullanımdan kaynaklanacak hasarlardan dolayı hiçbir sorumluluk kabul etmemektedir. Bu tür kullanımlarla ilgili riskler tamamen kullanıcıya aittir. Uygun kullanım aynı zamanda üretici tarafından belirtilen uygun çalıştırmayı, servisi ve onarımları içermektedir.

## AKÜ

Uzun süre kullanım dışı kalmış kartuş aküleri kullanmadan önce şarj edin.

50°C üzerindeki sıcaklıklar kartuş akünün performansını düşürür. Akünün güneş ışığı veya mekân sıcaklığı altında uzun süre ısınmamasına dikkat edin.

Şarj cihazı ve kartuş aküdeki bağlantı noktalarını temiz tutun.

Akünün ömrünün mükemmel bir şekilde uzun olması için kullandıktan sonra tamamen doldurulması gerekir.

Ömrünün mümkün olduğu kadar uzun olması için akülerin yüklemeye yapıldıktan sonra doldurma cihazından uzaklaştırılması gerekir.

Akünün 30 günden daha fazla depolanması halinde: Aküyü takriben 27°C'de kuru olarak depolayın. Aküyü yüklemeye durumunun takriben % 30 - %50 olarak depolayın. Aküyü her 6 ay yeniden doldurun.

Şarj edilemez piller şarj edilmemelidir.

Şarj edilebilir pillerin şarj ettirmeden önce cihazdan çıkartılması gerekmektedir.

Boşalan pillerin cihazdan çıkartılması ve güvenli şekilde bertaraf edilmesi gerekmektedir.

Cihaz uzun süre depolanacaksa, içindeki piller çıkartılmalıdır.

Bağlantı noktalarını kısa devre yaptırılması yasaktır.

## LİTYUM İYON PİLLERİN TAŞINMASI

Lityum iyon piller tehlikeli madde taşımacılığı hakkındaki yasal hükümler tabidir.

Bu piller, bölgesel, ulusal ve uluslararası yönetmeliklere ve hükümlere uyularak taşınmak zorundadır.

Tüketiciler bu pilleri herhangi bir özel şart aranmaksızın karayoluyla taşıyabilirler.

Lityum iyon pillerin nakliye şirketleri tarafından ticari taşımacılığı için tehlikeli madde taşımacılığının hükümleri geçerlidir. Sevk hazırlığı ve taşıma sadece ilgili eğitimi görmüş personel tarafından gerçekleştirilebilir. Bütün süre uzmanca bir refakatçilik altında gerçekleştirilmek zorundadır.

Pillerin taşınması sırasında aşağıdaki hususlara dikkat edilmesi gerekmektedir:

Kısa devre oluşmasını önlemek için kontakların korunmuş ve izole edilmiş olması sağlanmalıdır. PİL paketinin ambalajı içinde kaymamasına dikkat ediniz. Hasarlı veya akmış pillerin taşınması yasaktır. Ayrıca bilgiler için nakliye şirketinize başvurunuz.

## AKÜNÜN AŞIRI YÜKLENMEYE KARŞI KORUNMASI

Aşırı yüksek akım tüketiminden dolayı, örn. aşırı yüksek devirler, başlığın sıkışması, aniden durma veya kısa devreden dolayı bataryaya aşırı yüklenmesi halinde elektrikli alet 2 saniye süreyle durmakta ve kendiliğinden kapanmaktadır.

Yeniden çalıştırmak için şalter baskısını serbest bırakın ve bundan sonra tekrar çalıştırın.

Akü aşırı yüklenmeden dolayı fazla ısınır. Bu durumda akü soğuyana kadar yüklemeye göstergesinin bütün lambaları yanıp söner. Göstergelambalarının sönmelerinden sonra tekrar çalışmaya devam edilebilir.

Aküyü tekrar doldurmak ve aktif hale getirmek amacı ile şarjı bağlayın.

## ÇALIŞMA AÇIKLAMALARI

Cihazı sadece hasarsız durumda ise çalıştırınız. Filtresiz veya hasarlı filtre ile kesinlikle toz emiş işlemi yapmayınız.

Güvenli olmayan çalışma tekniklerine uyun.

Merdivenlerde temizlik yaparken çok dikkatli olun.

Filtre elemanları, filtre torbalar ve çuvallar atık, ulusal düzenlemelere uygun olarak atın.

**DİKKAT: Bu cihaz sadece iç mekânlarda kullanılmaya uygundur.**

Çalışma yerinde iyi havalandırma olmasını sağlayın.

Eğer makine düzgün çalışmıyor ya da yere düşürülmüşse, hasarlıysa, açık havada bırakılmışsa ya da suya düşürülmüşse, servis merkezine ya da bayiye geri götürün.

## BAKIM, TEMİZLİK VE ONARIM

Aletin kendinde bir çalışma yapmadan önce kartuş aküyü çıkarın.

Sadece işletme kılavuzunda tarif edilen bakım çalışmaları uygulanmalıdır.

Türkçe

Aletin havalandırma aralıklarını daima temiz tutun.

Sökülebilir aksam (toz toplayıcı dahil) temizlik için çıkarılmalıdır. Cihazı her zaman toz ve kirlere temizleyin. Tutacak kolunu temiz, kuru, sıvı ve katı yağlardan arındırılmış bir şekilde muhafaza edin. Temizlik ve eriyik maddeleri, plastik maddeler ve diğer izole parçaları için zararlıdır, bu nedenle sadece yumuşak bir sabun ve nemli bez ile cihazı temizleyin. Cihazın yakınında hiçbir zaman yanıcı eriyik maddeleri bulundurmayın.

Toz filtresi çalışma saatine bağlı olarak yenilenmelidir. Makineyi kuru bir bez ve az miktarda sprey cılayla temiz tutun.

Emicinin üstparçasına kesinlikle su püskürtülmemelidir: İnsanlar için tehlike, kısa devre tehlikesi.

Kullanıcı tarafından yapılacak serviste, makinenin bakım personeli ve diğer kişiler için risk oluşturmayacak şekilde ve mantık çerçevesinde sökülmesi, temizlenmesi ve bakım görmesi gerekir. Uygun önlemler söküm öncesi arıtmayı, makinenin söküldüğü yerde yerel filtrelenmiş egzoz havalandırmasını, bakım alanının temizlenmesini ve yeterli kişisel korunmayı kapsar.

Bakım ve onarım çalışmaları sırasında gerektiği gibi temizlenemeyen bütün kirli aksamın,

- İyice kapatılmış poşetlere sarılması,
- Böylesi atık imhası için geçerli düzenlemelere uygun bir şekilde bertaraf edilmesi gerekir.

Cihaz kalifiye bir servis teknisyeni tarafından düzenli olarak denetlenmelidir. Örneğin, filtreleri hasar açısından kontrol edin ve cihazın hava sızdırmazlığını ve kumanda mekanizmasının uygun işlevselliğini denetleyin.

Orijinal olmayan yedek parçaların, fırçaların ve aksesuarların kullanılması cihazın güvenliğini ve işlevselliğini azaltabilir. Sadece Milwaukee aksesuarı ve yedek parçası kullanın. Nasıl değiştirileceği açıklanmamış olan yapı parçalarını bir Milwaukee müşteri servisinde değiştirin (Garanti ve servis adresi broşürüne dikkat edin).

Gerektiği takdirde aletin dağınık görünüş şeması, alet tipinin ve tip etiketi üzerindeki sayının bildirilmesi koşuluyla müşteri servisinden veya doğrudan Techtronic Industries GmbH, Max-Eyth-Straße 10, 71364 Winnenden, Germany adresinden istenebilir.

## MUHAFAZA

Edilmesi Cihazı kuru ve dondan korunmuş bir yerde muhafaza ediniz.

**DİKKAT: Bu cihaz sadece iç mekanlarda muhafaza edilebilir.**

## CE UYGUNLUK BEYANI

"Teknik veriler" başlığı altında tanımlanan ürünün, sayılı direktiflerdeki tüm hükümleri

2011/65/EU (RoHS)

2006/42/EC

2014/30/EU

uyumlaştırılmış standartları

EN 60335-1:2012+A11:2014+A13:2017

EN 60335-2-69:2012

EN 62233:2008

EN 55014-1:2017

EN 55014-2:2015

EN 50581:2012



Winnenden, 2018-07-04

Alexander Krug / Managing Director

Teknik evrakları hazırlamakla görevlendirilmiştir.

Techtronic Industries GmbH

Max-Eyth-Straße 10, 71364 Winnenden, Germany



## SEMBOLLER



DİKKAT! UYARI! TEHLİKE!



Aletin kendinde bir çalışma yapmadan önce kartuş aküyü çıkarın.



Lütfen aleti çalıştırmadan önce kullanma kılavuzunu dikkatli biçimde okuyun.



Lütfen aleti çalıştırmadan önce kullanma kılavuzunu dikkatli biçimde okuyun.



Aksesuar - Teslimat kapsamında değildir, önerilen tamam-  
lamalar aksesuar programında.



İKAZ: Bu cihaz sadece kuru temizlik işleri için uygundur.



Koruma sınıfı III

**V** Voltaj

--- Doğru akım



Toz Sınıfı L (IEC 60335-2-69)

Bu sınıf kapsamındaki tozlar 1mg/m<sup>3</sup> üstünde  
OEL değerine sahiptir



Elektrikli cihazların, pillerin/akülerin evsel atıklarla birlikte bertaraf edilmesi yasaktır. Elektrikli cihazlar ve aküler ayrılarak biriktirilmeli ve çevreye zarar vermeden bertaraf edilmeleri için bir atık değerlendirme tesisine götürülmelidirler. Yerel makamlara veya satıcınıza geri dönüşüm tesisleri ve atık toplama merkezlerinin yerlerini danışınız.



Avrupa uyumluluk işareti



Ukrayna uyumluluk işareti



Avrasya uyumluluk işareti

TECHNICKÁ DATA	M18 FBPV
<b>Odsávací systém</b>	
Výrobní číslo	4693 26 01... ... 000001-999999
Napětí výměnného akumulátoru	18 V
Amp.	25 A
Příkon	380 W
Průtokové množství vzduchu	1557 l/min 93 m <sup>3</sup> /h
Podtlak	18,9 kPa 189 mbar
Objem	3,8 l
Typ filtru	HEPA H13
Hmotnost podle prováděcího předpisu EPTA 01/2014 (Li-Ion 2,0 Ah ... 12,0 Ah)	8,43 kg ... 9,53 kg
Průměr sací hadice	36 mm
Doporučená teplota okolí pro provoz	-18°C ... +50°C
Doporučené akupaky	M18B... M18HB...
Doporučené nabíječky	M12-18... M1418 C6
<b>Informace o hluku</b>	
Naměřené hodnoty odpovídají ISO 4871. V třídě A posuzovaná hladina hluku přístroje činí typicky:	
Hladina akustického tlaku LpA (Kolísavost K=2dB(A))	65 dB (A)
Hladina akustického výkonu LWA (Kolísavost K=2dB(A))	76 dB (A)
<b>Používejte chrániče sluchu !</b>	
<b>Informace o vibracích podle EN 60335-2-69</b>	
Celkové hodnoty vibrací (vektorový součet tří směrů) zjištěné ve smyslu ISO 5349.	
Hodnota vibračních emisí a <sub>h</sub>	0,15 m/s <sup>2</sup>
Kolísavost K=	0,05 m/s <sup>2</sup>



**⚠️ VAROVÁNÍ! Před použitím zařízení si pečlivě přečtěte návod k použití. Seznamte se se všemi bezpečnostními pokyny a sice i s pokyny.**

Zanedbání při dodržování varovných upozornění a pokynů mohou mít za následek úder elektrickým proudem, požár a ebo těžká poranění.

**VAROVÁNÍ: Uživatel musí být dostatečně informován o použití přístroje!**

**Všechna varovná upozornění a pokyny do budoucna uschovejte.**

**⚠️ SPECIÁLNÍ BEZPEČNOSTNÍ UPOZORNĚNÍ ODSÁVACÍ SYSTÉM**

**Tento přístroj není vhodný k tomu, aby jej používali lidé (včetně dětí) se sníženými tělesnými, smyslovými nebo duševními schopnostmi nebo s nedostatkem zkušeností nebo odborných vědomostí. Kromě toho je třeba dohlížet na děti, aby se zabezpečilo, že si nebudou s přístrojem hrát. Čištění a údržbu přístroje nesmí děti vykonávat bez dozoru.**

**Toto zařízení smí být provozováno pouze pod dohledem.**

**Nebezpečí požáru a výbuchu!**

Všeobecně se nesmí odsávat žádné hořlavé a výbušné kapaliny jako jsou ředidla, benzin, olej, alkohol, rozpouštědla a také části teplejší než 60°C (kovové třísky, popel). Jinak hrozí nebezpečí výbuchu a požáru.

Stroj se nesmí používat v blízkosti hořlavých plynů a jiných látek.

Nemířit dýzou, hadicí nebo trubicí na lidi ani zvířata.

Nepřibližujte se vlasy, volným oděvem, prsty ani žádnými částmi těla k otvorům a pohyblivým částem. Do otvorů nevklaďte žádné předměty a zařízení se zablockovanými otvory nepoužívejte. Udržujte otvory volné od prachu, chuchvalců, vlasů či jiných nečistot, jež by mohly omezovat průtok vzduchu.

**VAROVÁNÍ!** Abyste zabránili nebezpečí požáru způsobeného zkratem, poraněním nebo poškozením výrobku, neponožujte nářadí, výměnnou baterii nebo nabíječku do kapaliny a zajistěte, aby do zařízení a akumulátorů nevnikly žádné tekutiny. Korodující nebo vodivé kapaliny, jako je slaná voda, určité chemikálie a bělicí prostředky nebo výrobky, které obsahují bělidlo, mohou způsobit zkrat.

Náhradní akumulátory ani nabíječku neotvírejte, skladujte je v suchu, chraňte před vlhkem.

Akumulátor systémů M18 nabíjejte pouze nabíječkou systémů M18. Nepoužívejte baterie z jiných systémů.

Před začátkem práce musí být provozní personál informován a vyškolen v následujících aspektech:

- správné používání zařízení,
- rizika související s vysáváním materiálem,
- bezpečná likvidace vysátého materiálu.

**OBLAST VYUŽITÍ**

Tento mobilní vysavač prachu byl zkonstruován, vyvinut a podroben přísnému testování účinné a bezpečné funkčnosti za předpokladu správné údržby a používání v souladu s následujícími pokyny.

Přístroje popsané v tomto návodu k obsluze jsou určeny:

- pro komerční použití, např. v hotelových zařízeních, školách, nemocnicích, továrnách, obchodech, kancelářích a pronajímaných prostorách
- průmyslové použití, jako např. závody, stavby a dílny.
- k odlučování prachových substancí s expozičními limity vyššími než  $1 \text{ mg/m}^3$  (třída filtrace prachu L)

**VAROVÁNÍ: Tento přístroj je vhodný pouze pro použití za sucha.**

Vysávat se nesmějí tyto materiály:

- nebezpečný prach patřící do tříd M a H
- horké materiály (doutnající cigarety, horký popel atd.)
- hořlavé, výbušné, agresivní kapaliny (např. benzin, ředidla, kyseliny, louhy atd.)
- hořlavé, výbušné prachy (např. hořčíkový a hliníkový prach atd.)



Pro stroje s Třídou prachu L (s typovým označením -0L, -2L) platí následující:

- Zařízení je vhodné na sběr suchého, nehořlavého prachu, nebezpečného prachu s hodnotou OEL  $> 1 \text{ mg/m}^3$ .
- Třída prachu L (IEC 60335-2-69)
- Prach patřící do této třídy má hodnoty OEL  $> 1 \text{ mg/m}^3$
- Pro stroje určené pro Třídu prachu L se testuje filtrační materiál. Maximální stupeň propustnosti je 1% a neexistuje žádný zvláštní požadavek na likvidaci.
- Při odsavačích prachu zabezpečte dostatečnou míru výměny vzduchu L, pokud se odváděný vzduch vrací do místnosti.

Kromě návodu k obsluze a závazných předpisů k prevenci nehod platných v zemi použití dodržujte i ostatní obecně užívané předpisy pro bezpečnost a správné použití.

Nehodám v důsledku nesprávného použití mohou zamezit pouze osoby, jež zařízení používají.

**SEZNAMTE SE SE VŠEMI BEZPEČNOSTNÍMI POKYNY A SICE I S POKYNY.**

Jakékoli jiné použití je pokládáno za nesprávné. Výrobce nikak neodpovídá za žádné škody způsobené takovým použitím. Riziko plynoucí z takového použití nese pouze uživatel. Správné použití zahrnuje i řádný provoz, servis a opravy dle specifikací výrobce.

## AKUMULÁTORY

Delé nepoužívané akumulátory je nutné před použitím znovu nabít.

Teplota přes  $50^\circ\text{C}$  snižuje výkon akumulátoru. Chraňte před dlouhým přehříváním na slunci či u topení.

Kontakty nabíječky a akumulátoru udržujte v čistotě.

Pro optimální životnost je nutné akumulátory po použití plně dobít.

K zabezpečení dlouhé životnosti by se akumulátory měly po nabíti vyjmout z nabíječky.

Při skladování akumulátoru po dobu delší než 30 dní: Skladujte akumulátor v suchu při cca  $27^\circ\text{C}$ . Skladujte akumulátor při cca 30%-50% nabíjecí kapacity. Opakujte nabíjení akumulátoru každých 6 měsíců.

Nedobíjecí baterie se nesmí dobíjet.

Dobíjecí baterie je nutné před nabíjením vyjmout z přístroje.

Prázdné baterie se musí vyjmout z přístroje a bezpečně zlikvidovat.

Pokud se má přístroj na delší čas uskladnit, měly by se z něj vyjmout baterie.

Připojovací kontakty se nesmí vyzkratovat.

## PŘEPRAVA LITHIUM-IONTOVÝCH BATERIÍ

Lithium-iontové baterie spadají podle zákonných ustanovení pod přepravu nebezpečného nákladu.

Přeprava těchto baterií se musí realizovat s dodržováním lokálních, vnitrostátních a mezinárodních předpisů a ustanovení.

Spotřebitelé mohou tyto baterie bez problémů přepravovat po komunikacích.

Komerční přeprava lithium-iontových baterií prostřednictvím přepravních firem podléhá ustanovením o přepravě nebezpečného nákladu. Přípravu k vyexpedování a samotnou přepravu směji vykonávat jen příslušně vyškolené osoby. Na celý proces se musí odborně dohlížet.

Při přepravě baterií je třeba dodržovat následující:

Zajistěte, aby kontakty byly chráněné a izolované, aby se zamezilo zkrátům. Dávejte pozor na to, aby se svazek baterií v rámcích balení nemohl sesmeknout. Poškozené a vyteklé baterie se nesmějí přepravovat. Ohledně dalších informací se obraťte na vaši přepravní firmu.

## OCHRANA PROTI PŘETÍŽENÍ AKUMULÁTORU

Při přetížení akumulátoru prostřednictvím příliš vysoké spotřeby proudu, např. extrémně vysoké kroticí momenty, uviznutí nasazeného nářadí, prudké nečekané zastavení nebo zkrat, se elektrické nářadí na 2 sekundy zastaví a samostatně se vypne.

K opětovnému zapnutí uvolněte a následně opět stiskněte tlačítkový vypínač.

Při extrémním zatížení dochází k příliš vysokému ohřevu akumulátoru. V tomto případě začnou blikat všechny kontrolky indikátoru dobíjení a blikají tak dlouho, dokud se akumulátor opět neochladí. V okamžiku, kdy indikátor dobíjení přestane blikat, je možné nřadí opět pokračovat.

Akumulátor v tomto případě k dobíť a aktivaci vložte opět do nabíječky.

## PRACOVNÍ POKYNY

Přístroj používejte pouze v případě, že je v nepoškozeném stavu. Nikdy nevysávejte bez filtru nebo s poškozeným filtrem.

Nepoužívejte žádné nebezpečné pracovní postupy.

Obzvláště opatrní buďte při práci na schodech.

Zlikvidujte filtračních prvků, filtrační sáčky a tašky pro likvidaci v souladu s národními předpisy.

**POZOR: Tento přístroj je vhodný pouze pro použití ve vnitřních prostorech.**

Zajistěte řádné větrání pracoviště.

Jestliže zařízení nepropracje správně nebo spadlo, poškodilo se, bylo ponecháno venku nebo spadlo do vody, předejte jej servisnímu středisku nebo prodejci.

## ÚDRŽBA, ČIŠTĚNÍ A OPRAVY

Před zahájením veškerých prací na vrtacím šroubováku vyjmout výměnný akumulátor.

Provádějte pouze takové údržbářské práce, které jsou popsány v tomto provozním návodu.

Větrací štěrby nářadí udržujeme stále čisté.

Odpojitelné části (včetně sběrače prachu) by se měly odstranit pro účely čištění.

Průběžně stírejte z přístroje prach a nečistoty. Rukojeť udržujte v čistotě, suchou a bez olejových nebo tukových skvrn. Čisticí přípravky a rozpouštědla škodí umělým hmotám a jiným

izolovaným dílům, proto čistěte přístroj pouze jemným mýdlem a vlhkým hadrem. Nikdy nepoužívejte hořlavá rozpouštědla v blízkosti přístroje.

V závislosti na počtu provozních hodin by se měl prachový filtr obnovovat. Stroj čistěte suchým hadříkem a malým množstvím leštidla ve spreji.

Nikdy neostříkávejte horní díl vysavače vodou: nebezpečí úrazu, nebezpečí zkratu.

Pro uživatele servisu, je nutné přístroj demontovat, vyčistit a opravit, pokud je to přiměřeně proveditelné, aniž by došlo k riziku u pracovníků údržby a dalších. Vhodná opatření zahrnují dekontaminaci před demontáží, opatření pro místní filtrované výfukové ventilace, kde je stroj rozebrán, čištění prostoru provádění údržby a vhodnou osobní ochranu.

Během údržbářských a opravárenských prací všechny znečištěné části, které nelze uspokojivě vyčistit, musí být:

- Zabalené v dobře uzavřených pytlích
- Zlikvidovány způsobem, který odpovídá platným předpisům pro takové odstraňování odpadu.

Zařízení by mělo být pravidelně kontrolováno kvalifikovaným servisním technikem. Například zkontrolujte poškození filtrů a zkontrolujte vzduchotěsnost zařízení a správnou funkčnost řídicího mechanismu.

Používání neoriginálních náhradních dílů, kartáčů a příslušenství může zhoršit bezpečnost a funkci zařízení. Používat výhradně příslušenství Milwaukee a náhradní díly Milwaukee. Díly jejichž výměny nebyla popsána, nechte vyměnit v autorizovaném servisu (viz: "Záruky / Seznam servisních míst")

Při potřebě podrobného rozkresu konstrukce, oslovte informaci o typu a čísle přímo servis a nebo výrobce, Techtronic Industries GmbH, Max-Eyth-Straße 10, 71364 Winnenden, Germany.

## SKLADOVÁNÍ

Přístroj skladujte v suchu a chraňte před mrazem.

**POZOR: Tento přístroj smí být uskladněn pouze ve vnitřních prostorech.**

## CE-PROHLÁŠENÍ O SHODĚ

Prohlašujeme na naši výhradní odpovědnost, že produkt popsán v části „Technické údaje“ splňuje všechna příslušná ustanovení směrnic 2011/65/EU (RoHS)

2006/42/ES

2014/30/EU

a byly použity následující harmonizované normy

EN 60335-1:2012+A11:2014+A13:2017

EN 60335-2-69:2012

EN 62233:2008

EN 55014-1:2017

EN 55014-2:2015

EN 50581:2012



Winnenden, 2018-07-04

Alexander Krug / Managing Director  
Zplnomocněn k sestavování technických podkladů.  
Techtronic Industries GmbH  
Max-Eyth-Straße 10, 71364 Winnenden, Germany

## SYMBOLY



POZOR! VAROVÁNÍ! NEBEZPEČÍ!



Před zahájením veškerých prací na vrtacím šroubováku vyjmout výměnný akumulátor.



Před spuštěním stroje si pečlivě přečtěte návod k používání.



Před spuštěním stroje si pečlivě přečtěte návod k používání.



Příslušenství není součástí dodávky, viz program příslušenství.



VAROVÁNÍ: Tento přístroj je vhodný pouze pro použití za sucha.



Třída ochrany III



Napájení V~

--- Stejnoseměrný proud



Třída prachu L (IEC 60335-2-69)

Prach patří do této třídy má hodnoty OEL > 1 mg/m<sup>3</sup>



Elektrická zařízení, baterie/akumulátory se nesmí likvidovat společně s odpadem z domácnosti. Elektrická zařízení, baterie/akumulátory je třeba sbírat odděleně a odevzdat je v recyklačním podniku na ekologickou likvidaci. Na místních úřadech nebo u vašeho specializovaného prodejce se informujte na recyklační podniky a sběrné dvory.



Značka shody v Evropě



Značka shody na Ukrajině



Značka shody pro oblast Eurasie





TECHNICKÉ ÚDAJE	M18 FBPV
<b>Odsávací systém</b>	
Výrobné číslo	4693 26 01... ... 000001-999999
Napätie výmenného akumulátora	18 V
Odber prúdu	25 A
Príkion	380 W
Prietokové množstvo vzduchu	1557 l/min 93 m <sup>3</sup> /h
Podtlak	18,9 kPa 189 mbar
Objem	3,8 l
Typ filtra	HEPA H13
Hmotnosť podľa vykonávacieho predpisu EPTA 01/2014 (Li-Ion 2,0 Ah ... 12,0 Ah)	8,43 kg ... 9,53 kg
Priemer sacieho potrubia	36 mm
Odporúčaná teplota okolia pre prevádzku	-18°C ... +50°C
Odporúčané akupaky	M18B... M18HB...
Odporúčané nabíjačky	M12-18... M1418 C6
<b>Informácia o hluku</b>	
Namerané hodnoty určené v súlade s ISO 4871. V triede A posudzovaná hladina hluku prístroja činí typicky:	
Hladina akustického tlaku LpA (Kolísavosť K=2dB(A))	65 dB (A)
Hladina akustického výkonu LWA (Kolísavosť K=2dB(A))	76 dB (A)
<b>Používajte ochranu sluchu!</b>	
<b>Informácie o vibráciách podľa EN 60335-2-69</b>	
Celkové hodnoty vibrácií (vektorový súčet troch smerov) zistené v zmysle ISO 5349.	
Hodnota vibračných emisií a <sub>h</sub>	0,15 m/s <sup>2</sup>
Kolísavosť K=	0,05 m/s <sup>2</sup>



**⚠ POZOR! Pred použitím zariadenia si pozorne prečítajte návod na použitie. Zoznámte sa so všetkými bezpečnostnými pokynmi.**

Zanedbanie dodržiavania Výstražných upozornení a pokynov uvedených v nasledujúcom texte môže mať za následok zásah elektrickým prúdom, spôsobíť požiar a/alebo ťažké poranenie.

**VÝSTRAHA: Používateľ musí byť dostatočne informovaný o použití prístroja!**

**Tieto Výstražné upozornenia a bezpečnostné pokyny starostlivo uschovajte na budúce použitie.**

### **⚠ ŠPECIÁLNE BEZPEČNOSTNÉ POKYNY ODSÁVACÍ SYSTÉM**

**Tento prístroj nie je vhodný na použitie prostredníctvom ľudí (vrátane detí) so zníženými telesnými, zmyslovými alebo duševnými schopnosťami, či s nedostatkom skúseností alebo odborných vedomostí. Okrem toho treba dozerať na deti, aby sa zabezpečilo, že sa nebudú s prístrojom hrať. Čistenie a údržbu prístroja nesmú deti vykonávať bez dozoru.**

**Toto zariadenie smie byť prevádzkované len pod dohľadom.**

#### **Nebezpečenstvo požiaru a výbuchu!**

Všeobecne nesmú byť nasávané žiadne horľavé a výbušné rozpušťačlá, tekutiny ako benzín, olej, alkohol, riedidlo a žiadne častice (kovové triesky, popol) s teplotou nad 60 °C; v takom prípade hrozí nebezpečenstvo výbuchu a požiaru!

Prístroj sa nesmie používať v blízkosti vznietivých plynov a látok.

Dýzu, hadicu alebo rúru nesmerovať na ľudí alebo zvieratá.

Dbajte na to, aby sa vlasy, voľné odevy, prsty a iné časti tela nedostali do otvorov ani do kontaktu s pohyblivými časťami. Do otvorov nekladajte žiadne predmety a vysávač neprevádzkujte s uzatvorenými otvormi. V otvoroch sa nesmie akumulovať prach, textilné vlákna, vlasy ani čokoľvek iné, čo by mohlo znížiť prúdenie vzduchu.

**POZOR!** Aby ste zabránili nebezpečenstvu požiaru spôsobeného skratom, poraneniam alebo poškodeniam výrobku, neponárajte náradie, výmennú batériu alebo nabíjačku do kvapalín a postarajte sa o to, aby do zariadení a akumulátorov nevnikli žiadne tekutiny. Korodujúce alebo vodivé kvapaliny, ako je slaná voda, určité chemikálie a bieliace prostriedky alebo výrobky, ktoré obsahujú bieliadlo, môžu spôsobiť skrat.

Výmenné akumulátory a nabíjacie zariadenia neotvárajte a skladovajte len v suchých priestoroch. Chránite pred vlhkosťou.

Výmenné akumulátory systému M18 nabíjať len nabíjacími zariadeniami systému M18. Nepoužívajte batérie z iných systémov.

Operátor musí byť pred začatím práce informovaný a zaškolený v oblastiach, ako sú:

- používanie tohto zariadenia;
- nebezpečenstvá spojené s vysávaným materiálom;
- bezpečná likvidácia vysávaného materiálu

## POUŽITIE PODĽA PREDPISOV

Tento mobilný vysávač je navrhnutý, vyvinutý a prísne testovaný ohľadne efektívneho a bezpečného fungovania pri správnej údržbe a používaní v súlade s nasledujúcimi pokynmi.

V tomto prevádzkovom návode popísané spotrebiče sa hodia:

- pre životnostné nasadenie, napr. v hoteloch, školách, nemocniciach, továrňach, obchodoch, kanceláriách a na vypožičiavanie.
- priemyselné použitie, ako napr. závody, stavby a dielne.
- k odsávaniu akéhokoľvek prachu s expozičnou hraničnou hodnotou väčšou ako  $1 \text{ mg/m}^3$  (trieda prachu L)

**VYSTRAHA: Tento prístroj je vhodný iba na použitie za sucha.**

Nasledujúce látky sa nesmú vysávať:

- nebezpečný prach patriaci do tried M a H
- horľave materiály (tlejúce cigarety, horúci popol, atď.)
- horľavé, výbušné a agresívne tekutiny (napr. benzín, riedidlá, kyseliny, lúhy, atď.)
- horľavé, explozívne a prašné (napr. horčíkový a hliníkový prach, atď.)



Pre stroje s Triedou prachu L (s typovými označením -0L, -2L) platí nasledovné:

- Zariadenie je vhodné na zberanie suchého, nehorľavého prachu, nebezpečného prachu s hodnotou OEL  $> 1 \text{ mg/m}^3$ .
- Trieda prachu L (IEC 60335-2-69)
- Prach patriaci do tejto triedy má hodnoty OEL  $> 1 \text{ mg/m}^3$
- Pre stroje určené pre Triedu prachu L sa testuje filtračný materiál. Maximálny stupeň priepustnosti je 1% a neexistuje žiadna osobitná požiadavka na likvidáciu.
- Pri odsávaní prachu zabezpečte dostatočnú mieru výmeny vzduchu L, keď sa odvádzaný vzduch vracia do miestnosti.

Okrem prevádzkových pokynov a záväzných nariadení ohľadom prevencie nehôd platných v krajine používania dodržiavajte uznané predpisy zaručujúce bezpečné a správne použitie.

Nehodám spôsobeným nesprávnym používaním môžu zabrániť iba tí, ktorí toto zariadenie používajú.

**PREČÍTAJTE SI VŠETKY BEZPEČNOSTNÉ POKYNY A DODRŽIAVajte ICH.**

Akéhokoľvek iné použitie sa považuje za nesprávne. Výrobca nenesie žiadnu zodpovednosť za žiadne škody vzniknuté v dôsledku nesprávneho použitia tohto zariadenia. Riziko takéhoto použitia nesie v plnej miere používateľ zariadenia. Správne používanie taktiež zahŕňa správnu obsluhu, údržbu a správne vykonávanie opráv v súlade s pokynmi výrobcu.

## AKUMULÁTORY

Dlhší čas nepoužívané výmenné akumulátory pred použitím dobíť.

Teplota vyššia ako  $50^\circ\text{C}$  znižuje výkon výmenného akumulátora. Zabráňte dlhšiemu ohriatiu slnkom alebo kúrením.

Pripájacie kontakty na nabíjacom zariadení a výmennom akumulátore udržiavať čisté.

Pre optimálnu životnosť je nutné akumulátory po použití plne dobíť.

K zabezpečeniu dlhej životnosti by sa akumulátory mali po nabití vybrať z nabíjačky.

Pri skladovaní akumulátora po dobu dlhšiu než 30 dní: Skladujte akumulátor v suchu pri cca  $27^\circ\text{C}$ . Skladujte akumulátor pri cca

30%-50% nabíjajúcej kapacity. Opakujte nabíjanie akumulátora každých 6 mesiacov.

Nedobíjateľné batérie sa nesmú dobíjať.

Dobíjateľné batérie treba pred nabíjaním odstrániť z prístroja.

Prázdne batérie sa musia odstrániť z prístroja a bezpečne zlikvidovať.

Ak sa má prístroj na dlhší čas uskladniť, mali by sa z neho vybrať batérie.

Prípojnité kontakty sa nesmú vyskratovať.

## PREPARA LÍTIOVO-IÓNOVÝCH BATÉRIÍ

Lítiovo-iónové batérie podľa zákonných ustanovení spadajú pod prepravu nebezpečného nákladu.

Preprava týchto batérií sa musí realizovať s dodržiavaním lokálnych, vnútroštátnych a medzinárodných predpisov a ustanovení.

Spotrebitelia môžu tieto batérie bez problémov prepravovať po cestách.

Komerčná preprava lítiovo-iónových batérií prostredníctvom špedičných firiem podlieha ustanoveniam o preprave nebezpečného nákladu. Prípravu k vy Expedovaniu a samotnú prepravu smú vykonávať iba adekvátne vyškolené osoby. Na celý proces sa musí odborné dohliadať.

Pri preprave batérií treba dodržiavať nasledovné:

Zabezpečte, aby boli kontakty chránené a izolované, aby sa zamedzilo skratom. Dávajte pozor na to, aby sa zväzok batérií v rámci balenia nemohol zošmyknúť. Poškodené a vytečené batérie sa nesmú prepravovať. Kvôli ďalším informáciám sa obráťte na vašu špedičnú firmu.

## OCHRANA PROTI PREŤAŽENIU AKUMULÁTORA

Pri preťažení akumulátora prostredníctvom príliš vysokej spotreby prúdu, napr. extrémne vysoké krútiace momenty, uviaznutie nasadovaného náradia, prudké nečakané zastavenie alebo skrat, sa elektrické náradie na 2 sekundy zastaví a samostatne sa vypne. K opätovnému zapnutiu uvoľníte a následne opäť stlačíte tlačidlovú vypínač.

Pri extrémnom zaťažení dochádza k príliš vysokému ohrevu akumulátora. V tomto prípade začnú blikať všetky kontrolky indikátora dobijania a blikať aj tak dlho, dokiaľ sa akumulátor opäť neochladí. V okamihu, keď indikátor dobijania prestane blikať, je možné v práci opäť pokračovať.

Akumulátor v tomto prípade k dobitiu a aktivácii vložte opäť do nabíjačky.

## NAPOTKI ZA DELO

Prístroj používajte iba v prípade, ak je v bezchybnom stave. Nikdy nevysávajte bez filtra alebo s poškodeným filtrom.

Nepoužívajte žiadne nebezpečné pracovné techniky.

Pri vysávaní schodov buďte obzvlášť opatrní.

Zrušiť filtračný element, filtračné vrecia a vrecia na smeti v súlade s vnútroštátnymi právnymi predpismi.

**POZOR: Tento prístroj je vhodný iba na použitie vo vnútorných priestoroch.**

Na pracovisku zabezpečte dobré vetranie.

Ak vysávač nefunguje správne alebo spadol, je poškodený, bol ponechaný vonku alebo spadol do vody, odnesť ho do servisného strediska alebo autorizovanému predajcovi.



Slov

## ÚDRŽBA, ČISTENIE A OPRAVNÉ PRÁCE NA SPOTREBIČI

Pred každou prácou na stroji výmenný akumulátor vytiahnuť.

Prevádzajte iba tie údržbárske práce, ktoré sú popísané v tomto prevádzkovom návode.

Vetracie otvory udržiavať stále v čistote.

Odpojiteľné časti (vrátane zberača prachu) by sa mali odstrániť na účely čistenia.

Priebežne stierajte z prístroja prach a nečistoty. Rukoväť udržiajte v čistote, suchú a bez olejových alebo tukových škvŕn. Čistiace prípravky a rozpúšťadlá škodia umelým hmotám a iným izolovaným dielom, preto čistite prístroj len jemným mydlom a vlhkou handrou. Nikdy nepoužívajte horľavé rozpúšťadlá v blízkosti prístroja.

V závislosti od počtu prevádzkových hodín by sa mal prachový filter obnovovať. Stroji čistite suchou handričkou a malým množstvom leštidla v spreji.

Vrchný diel vysávača nikdy nepostriekajte vodou: nebezpečenstvo pre osoby, nebezpečenstvo krátkého spojenia.

Pre užívateľský servis je nutné prístroj demontovať, vyčistiť a opraviť, pokiaľ je to primerane uskutočniteľné bez toho, aby vzniklo riziko pre pracovníkov údržby a ďalšie osoby. Vhodné preventívne opatrenia zahŕňajú dekontamináciu pred demontážou, zabezpečenie lokálnej ventilácie filtrovaného odpadového vzduchu tam, kde je prístroj demontovaný, čistenie priestoru na vykonávanie údržby a vhodnú osobnú ochranu.

Počas údržbárskych a opravárenských prác všetky znečistené časti, ktoré sa nedajú uspokojivo vyčistiť, musia byť:

- Zabalené v dobre uzavretých vreciach
- Zlikvidované spôsobom, ktorý zodpovedá platným predpisom pre takéto odstraňovanie odpadu.

Zariadenie by malo byť pravidelne kontrolované kvalifikovaným servisným technikom. Napríklad skontrolujte poškodenia filtrov a skontrolujte vzduchotesnosť zariadenia a správnú funkčnosť riadiaceho mechanizmu.

Použitie neoriginálnych náhradných dielov, kief a príslušenstva môže zhoršiť bezpečnosť a alebo funkčnosť tohto vysávača.

Používať len Milwaukee príslušenstvo a Milwaukee náhradné diely.

Súčiastky bez návodu na výmenu treba dať vymeniť v jednom z Milwaukee zákaznických centier (viď brožúru Záruka/Adresy zákaznických centier).

Pri udaní typu stroja a čísla nachádzajúceho sa na štítku dá sa v prípade potreby vyžiadať explozivná schéma prístroja od vášho zákaznického centra alebo priamo v Techtronic Industries GmbH, Max-Eyth-Straße 10, 71364 Winnenden, Germany.

## SKLADOVANIE

Spotrebič skladovať v suchu, chránený pred mrazom.

**POZOR: Tento prístroj smie byť uskladnený iba vo vnútorných priestoroch.**

## CE - VYHLÁSENIE KONFORMITY

Na našu výhradnú zodpovednosť vyhlasujeme, že produkt popísaný v časti „Technické údaje“ spĺňa všetky príslušné ustanovenia smerníc

2011/65/EÚ (RoHS)

2006/42/ES

2014/30/EÚ

a boli použité nasledovné harmonizované normy

EN 60335-1:2012+A11:2014+A13:2017

EN 60335-2-69:2012

EN 62233:2008

EN 55014-1:2017

EN 55014-2:2015

EN 50581:2012



Winnenden, 2018-07-04

Alexander Krug / Managing Director

Splnomocnený zostaviť technické podklady.

Techtronic Industries GmbH

Max-Eyth-Straße 10, 71364 Winnenden, Germany



Slov

## SYMBOLY



POZOR! NEBEZPEČENSTVO!



Pred každou prácou na stroji výmenný akumulátor vytiahnuť.



Pred prvým použitím prístroja si pozorne prečítajte návod na obsluhu.



Pred prvým použitím prístroja si pozorne prečítajte návod na obsluhu.



Príslušenstvo - nie je súčasťou štandardnej výbavy, odporúčané doplnenie z programu príslušenstva.



VÝSTRAHA: Tento prístroj je vhodný iba na použitie za sucha.



Zaščitni razred III



Napätie



Jednosmerný prúd



Trieda prachu L (IEC 60335-2-69)

Prach patriaci do tejto triedy má hodnoty OEL > 1 mg/m<sup>3</sup>



Elektrické zariadenia, batérie/akumulátory sa nesmú likvidovať spolu s odpadom z domácnosti. Elektrické zariadenia, batérie/akumulátory treba zbierať oddelene a odovzdať ich v recyklačnom podniku na ekologickú likvidáciu. Na miestnych úradoch alebo u vášho špecializovaného predajcu sa spýtajte na recyklačné podniky a zberné dvory.



Značka zhody v Európe



Značka zhody na Ukrajine



Značka zhody pre oblasť Eurázie



DANE TECHNICZNE	M18 FBPV
<b>Odpylacz</b>	
Numer produkcyjny	4693 26 01... ... 000001-999999
Napięcie baterii akumulatorowej	18 V
Napięcie prądu	25 A
Pobór mocy	380 W
Strumień objętości powietrza	1557 l/min 93 m <sup>3</sup> /h
Podciśnienie	18,9 kPa 189 mbar
Pojemność	3,8 l
Typ filtra	HEPA H13
Ciężar wg procedury EPTA 01/2014 (Li-Ion 2,0 Ah ... 12,0 Ah)	8,43 kg ... 9,53 kg
Średnica węża zasysającego	36 mm
Zalecana temperatura otoczenia w trakcie eksploatacji	-18°C ... +50°C
Zalecane zestawy akumulatorowe	M18B... M18HB...
Zalecane ładowarki	M12-18... M1418 C6
<b>Informacja dotycząca szumów</b>	
Zmierzone wartości wyznaczone zgodnie z normą ISO 4871. Poziom szumów urządzenia oszacowany jako A wynosi typowo:	
Poziom ciśnienia akustycznego LpA (Niepewność K=2dB(A))	65 dB (A)
Poziom mocy akustycznej LWA (Niepewność K=2dB(A))	76 dB (A)
<b>Należy używać ochraniaczy uszu!</b>	
<b>Informacje dotyczące poziomu drgań zgodnie z EN 60335-2-69</b>	
Wartości łączne drgań (suma wektorowa trzech kierunków) wyznaczone zgodnie z normą ISO 5349	
Wartość emisji drgań a <sub>h</sub>	0,15 m/s <sup>2</sup>
Niepewność K=	0,05 m/s <sup>2</sup>



**⚠️ OSTRZEŻENIE!** Przed użyciem urządzenia prosimy uważnie przeczytać instrukcję obsługi. Prosimy o przeczytanie wskazówek bezpieczeństwa i zaleceń, również tych. Błędy w przestrzeganiu poniższych wskazówek mogą spowodować porażenie prądem, pożar i/lub ciężkie obrażenia ciała.

**OSTRZEŻENIE:** Użytkownik winien posiadać dostateczną wiedzę na temat użytkowania urządzenia! Należy starannie przechowywać wszystkie przepisy i wskazówki bezpieczeństwa dla dalszego zastosowania.

#### **⚠️ INSTRUKCJE DOTYCZĄCE BEZPIECZEŃSTWA ODPYLACZ**

Urządzenie to nie jest przeznaczone do użytku przez osoby (łącznie z dziećmi) o ograniczonych zdolnościach fizycznych, sensorycznych lub umysłowych lub przez osoby nie posiadające dostatecznego doświadczenia wzgl. wiedzy fachowej. Ponadto należy zwracać uwagę na dzieci i przestrzegać, żeby nie bawiły się urządzeniem. Czyszczenie i czynności konserwacyjne nie mogą być wykonywane przez dzieci bez nadzoru dorosłych.

Niniejsze urządzenie może być używane wyłącznie pod nadzorem.

#### **Nebezpieczeństwo pożaru a wybuchu!**

Nie wlewaj do urządzenia żadnych palnych czy wybuchowych rozpuszczalników ani płynów, takich jak benzyna, olej, alkohol, rozcieńczalniki, ani też materiałów stałych, takich jak opiłki metali lub popiół o temperaturze wyższej niż 60°C - w przeciwnym razie może dojść do wybuchu lub pożaru!

Urządzenia nie wolno używać w pobliżu gazów lub innych substancji palnych.

Nie kierować dyszy, węża ani rury na ludzi ani zwierzęta.

Nie zbliżać włosów, luźnych ubrań, palców ani jakichkolwiek części ciała do otworów oraz ruchomych elementów. Nie wkładać niczego do otworów urządzenia i nie używać urządzenia, jeśli otwory są zablokowane. Usuwać z otworów kurz, kłaczki, włosy oraz wszystko, co mogłoby ograniczać przepływ powietrza.

**OSTRZEŻENIE!** Aby uniknąć niebezpieczeństwa pożaru, obrażeń lub uszkodzeń produktu na skutek zwarcia, nie wolno zanurzać narzędzia, akumulatora wymiennego ani ładowarki w cieczach i należy zatroszczyć się o to, aby do urządzeń i akumulatorów nie dostały się żadne ciecze. Zwarcie spowodować mogą korodujące lub przewodzące ciecze, takie jak woda morska, określone chemikalia i wybielacze lub produkty zawierające wybielacze.

Nie otwierać wkładek akumulatorowych i ładowarek. Przechowywać w suchych pomieszczeniach. Chronić przed wilgocią.

Akumulator Systemu M18 należy ładować wyłącznie przy pomocy ładowarek Systemu M18. Nie używać zestawów baterii z innych systemów.

Przed rozpoczęciem pracy personel obsługujący urządzenie musi zostać poinformowany i przeszkolony w następującym zakresie:

- obsługa urządzenia
- ryzyka związane z materiałem, który ma być zbierany
- bezpieczna utylizacja zebranego materiału

## WARUNKI UŻYTKOWANIA

Niniejszy pochłaniacz pyłu jest zaprojektowany, opracowany i rygorystycznie przetestowany pod kątem wydajnej i bezpiecznej pracy pod warunkiem prawidłowej konserwacji i eksploataowania zgodnie z zawartymi tu instrukcjami.

Urządzenia opisane w niniejszej instrukcji obsługi są przeznaczone:

- do profesjonalnego zastosowania, np. w hotelach, szkołach, szpitalach, fabrykach, sklepach, biurach i wypożyczalniach
- użytku przemysłowego, takiego jak np. fabryki, place budowy i warsztaty.
- do separacji pyłu o dopuszczalnej wartości czasu oddziaływania powyżej 1 mg/m<sup>3</sup> (klasa pyłu L)

**OSTRZEŻENIE: Urządzenie to jest przeznaczone wyłącznie do pracy na sucho.**

Odkurzacze nie jest przeznaczony do zbierania:

- niebezpiecznych pyłów należące do klas M i H
- gorących materiałów (żarzące się niedopałki, gorący popiół itp.)
- palnych, wybuchowych, agresywnych cieczy (np. benzyna, rozpuszczalniki, kwasy, ługi itp.)
- palnych, wybuchowych pyłów (np. pył magnezowy, aluminiowy itp.)



W przypadku urządzeń zbierających pyły klasy L (o oznaczeniu typu -0L, -2L) obowiązują:

- Urządzenie nadaje się do zbierania suchych, niepalnych pyłów, niebezpiecznych pyłów o wartości OEL > 1mg/m<sup>3</sup>.
- Pyły klasy L (IEC 60335-2-69)
- Pyły należące do tej klasy mają wartości OEL > 1mg/m<sup>3</sup>
- W przypadku urządzeń przeznaczonych dla klasy pyłów L testowany jest materiał filtracyjny. Maksymalny stopień przenikalności wynosi 1% i nie ma specjalnego wymogu dotyczącego utylizacji.
- W przypadku odkurzaczy pyłów klasy L należy zapewnić odpowiednią szybkość wymiany powietrza, gdy powietrze wydawiane wraca do pomieszczenia.

Oprócz instrukcji obsługi oraz krajowych przepisów dotyczących zapobiegania wypadkom należy też przestrzegać obowiązujących przepisów bezpieczeństwa oraz zasad prawidłowej eksploatacji.

Tylko osoby korzystające z urządzenia mogą zapobiec wypadkom wynikającym z nieprawidłowej obsługi.

**NALEŻY PRZECZYTAĆ WSZYSTKIE INSTRUKCJE BEZPIECZEŃSTWA I PRZESTRZEGAĆ ICH.**

Wszelkie inne zastosowania stanowią nieprawidłowe użytkowanie. Producent nie ponosi żadnej odpowiedzialności za szkody powstałe w wyniku użytkowania urządzenia w taki sposób. Ryzyko takiego eksploataowania produktu ponosi wyłącznie użytkownik. Właściwa eksploatacja urządzenia obejmuje też prawidłową obsługę, serwisowanie i naprawy zgodnie z instrukcjami producenta.

## BATERIE AKUMULATOROWE

Akumulatory, które nie były przez dłuższy czas użytkowane, należy przed użyciem naładować.

W temperaturze powyżej 50°C następuje spadek osiągniętych wartości akumulatorowej. Unikaj długotrwałego wystawienia na oddziaływanie ciepła lub promieni słonecznych (niebezpieczeństwo przegrzania).

Styki ładowarek i wkładki akumulatorowych należy utrzymywać w czystości

Dla zapewnienia optymalnej żywotności akumulatorów po użyciu należy naładować do pełnej pojemności.

Dla zapewnienia możliwie długiej żywotności akumulatorów należy wyjąć z ładowarki po ich naładowaniu.

W przypadku składowania akumulatorów dłużej aniżeli 30 dni: Przechowywać je w suchym miejscu w temperaturze ok. 27°C. Przechowywać je w stanie naładowanym do ok. 30% - 50%. Ładować je ponownie co 6 miesięcy.

Nie należy ładować baterii nie przeznaczonych do ponownego ładowania.

Baterie podlegające ładowaniu należy przed ładowaniem wyjąć z urządzenia.

Zużyte baterie należy wyjąć z urządzenia i w sposób bezpieczny utylizować.

W przypadku przechowywania urządzenia przez dłuższy okres czasu baterie należy wyjąć.

Nie wolno zwierać na krótko zestyków podłączeniowych.

## TRANSPORT AKUMULATORÓW LITOWO-JONOWYCH

Akumulatory litowo-jonowe podlegają ustawowym przepisom dotyczącym transportu towarów niebezpiecznych.

Transport tych akumulatorów winien odbywać się przy przestrzeganiu lokalnych, krajowych i międzynarodowych rozporządzeń i przepisów.

Odbiorcom nie wolno transportować tych akumulatorów po drogach od tak po prostu.

Komersyjny transport akumulatorów litowo-jonowych przez przedsiębiorstwa spedycyjne podlega przepisom dotyczącym transportu towarów niebezpiecznych. Przygotowania do wysyłki oraz transport mogą być wykonywane wyłącznie przez odpowiednio przeszkoloną osobę. Cały proces winien odbywać się pod fachowym nadzorem.

W czasie transportu akumulatorów należy przestrzegać następujących punktów:

Celem uniknięcia zwarcia należy upewnić się, że zestyki są zabezpieczone i zaizolowane. Zwracać uwagę na to, aby zespół akumulatorów nie mógł się przemieszczać we wnętrzu opakowania. Nie wolno transportować akumulatorów uszkodzonych lub z wyciekającym z elektrolitem. Odnośnie dalszych wskazań należy zwrócić się do swojego przedsiębiorstwa spedycyjnego.

## ZABEZPIECZENIE PRZECIĄŻENIOWE AKUMULATORA

W przypadku przeciążenia akumulatora na skutek zbyt dużego poboru prądu, np. nadzwyczaj wysokich momentów obrotowych, zakleszczenia narzędzia roboczego, gwałtownego zatrzymania lub zwarcia, elektronarzędzie zatrzyma się w ciągu 2 sekund i samoczynnie się wyłączy.

W celu ponownego włączenia narzędzia należy zwolnić przycisk przełączający, a następnie ponownie go włączyć. Przy ekstremalnych obciążeniach akumulator nagrzewa się za mocno. W takim przypadku wszystkie lampki wskaźnika ładowania migają tak długo, aż akumulator ochłodzi się. Po zgaśnięciu wskaźnika ładowania można kontynuować pracę.

Wóczas należy wetknąć akumulator do ładowarki, aby go ponownie naładować i aktywować.

## WSKAZÓWKI DOTYCZĄCE UŻYTKOWANIA

Urządzenie używać tylko w nieuszkodzonym stanie. Nie odkurzać bez filtra lub z uszkodzonym filtrem.

Nie należy stosować niebezpiecznych metod pracy.



Pol

Należy zachować szczególną ostrożność podczas odkurzania schodów.

Odrzucić wkład filtracyjny, worki filtracyjne i worki utylizacyjny zgodnie z przepisami krajowymi.

**UWAGA: Urządzenie to jest przeznaczone wyłącznie do użytkowania w pomieszczeniach zamkniętych.**

Zapewnić dobrą wentylację w miejscu pracy.

Jeśli urządzenie nie działa prawidłowo lub zostało upuszczone, uszkodzone, zostawiony na zewnątrz lub wrzucone do wody, należy oddać je do punktu serwisowego lub producenta.

### KONSERWACJA, CZYSZCZENIE I NAPRAWA

Przed przystąpieniem do jakichkolwiek prac na elektronarzędziu należy wyjąć wkładkę akumulatorową.

Wykonywać tylko te prace konserwacyjne, które opisane są w instrukcji obsługi.

Otwory wentylacyjne elektronarzędzia muszą być zawsze drożne.

Elementy dające się odłączyć (w tym odpylacz) należy wyjąć do celów czyszczenia.

Usuwać zawsze pył i zanieczyszczenia z przyrządu. Uchwyty utrzymywać zawsze w stanie czystym, suchym i wolnym od oleju lub smaru. Środki czyszczące i rozpuszczalniki działają niekorzystnie na tworzywa sztuczne i inne części izolujące, dlatego też przyrząd należy myć tylko wilgotną ściereczką nasączoną łagodnym mydłem. Nigdy nie należy używać palnych rozpuszczalników w pobliżu przyrządu.

W zależności od liczby godzin pracy, filtr przeciwpylowy powinien być wymieniany. Utrzymuj urządzenie w czystości za pomocą suchej szmatki i niewielkiej ilości środka polerującego w sprayu.

Nie wolno spryskiwać wodą pokrywy odkurzacza:

Niebezpieczeństwo porażenia prądem, niebezpieczeństwo wżarcia.

Do celów serwisowych maszynę należy zdemontować, oczyścić i poddać konserwacji na ile to racjonalnie możliwe, nie powodując szkód dla osób przeprowadzających konserwację i innych. Odpowiednie środki zapobiegawcze obejmują odkażenie przed demontażem, zapewnienie lokalnej filtrowanej wentylacji w miejscu demontażu maszyny, wyczyszczenie obszaru, w którym odbywa się konserwacja oraz odpowiednia ochrona osobista.

Podczas prac konserwacyjnych i naprawczych wszystkie zanieczyszczone części, których nie można w sposób zadowalający wyczyścić, muszą być:

- Zapakowane w dobrze uszczelnione torby
- Utylizowane w sposób zgodny z obowiązującymi przepisami dotyczącymi usuwania odpadów.

Urządzenie powinno być regularnie sprawdzane przez wykwalifikowanego technika serwisu. Na przykład sprawdzić filtry pod kątem uszkodzeń oraz sprawdzić szczelność powietrzną urządzenia oraz prawidłowe funkcjonowanie mechanizmu kontrolnego.

Korzystanie z nieoryginalnych części zamiennych, szczotek i akcesoriów może wpłynąć negatywnie na bezpieczeństwo eksploatacji i funkcjonowanie urządzenia. Używać tylko i wyłącznie wyposażenia dodatkowego Milwaukee i części zamiennych Milwaukee. Gdyby trzeba było wymienić części, które nie zostały opisane, należy skontaktować się z przedstawicielem serwisu Milwaukee (patrz wykaz adresów punktów usługowych/gwarancyjnych).

Na życzenie można otrzymać rysunek widoku zespołu rozebranego. Przy zamawianiu należy podać numer oraz typ elektronarzędzia umieszczony na tabliczce znamionowej. Zamówienia można dokonać albo u lokalnych przedstawicieli serwisu, albo

bezpośrednio w Techtronic Industries GmbH, Max-Eyth-Straße 10, 71364 Winnenden, Germany.

### SKŁADOWANIE

Przechowywać urządzenie w suchym i zabezpieczonym przed mrozem miejscu.

**UWAGA: Urządzenie to może być przechowywane wyłącznie w pomieszczeniach zamkniętych.**

### DEKLARACJA ZGODNOŚCI CE

Oświadczamy na naszą wyłączną odpowiedzialność, że produkt opisany pod „Dane techniczne” spełnia wszystkie istotne przepisy dyrektywy

2011/65/UE (RoHS)

2006/42/WE

2014/30/UE

i zastosowano następujące zharmonizowane normy

EN 60335-1:2012+A11:2014+A13:2017

EN 60335-2-69:2012

EN 62233:2008

EN 55014-1:2017

EN 55014-2:2015

EN 50581:2012



Winnenden, 2018-07-04

Alexander Krug / Managing Director

Upelnomocniony do zestawienia danych technicznych

Techtronic Industries GmbH

Max-Eyth-Straße 10, 71364 Winnenden, Germany

## SYMBOLE



UWAGA! OSTRZEŻENIE NIEBEZPIECZEŃSTWO!



Przed przystąpieniem do jakichkolwiek prac na elektronarzędziu należy wyjąć wkładkę akumulatorową.



Przed uruchomieniem elektronarzędzia zapoznać się uważnie z treścią instrukcji.



Przed uruchomieniem elektronarzędzia zapoznać się uważnie z treścią instrukcji.



Wyposażenie dodatkowe dostępne osobno.



OSTRZEŻENIE: Urządzenie to jest przeznaczone wyłącznie do pracy na sucho.



Klasa ochronności III

V

Napięcie V~



Prąd stały



Pyły klasy L (IEC 60335-2-69)

Pyły należące do tej klasy mają wartości OEL > 1mg/m<sup>3</sup>



Urządzenia elektryczne, baterie/akumulatory nie mogą być usuwane razem z odpadami pochodzącymi z gospodarstw domowych. Urządzenia elektryczne i akumulatory należy gromadzić oddzielnie i w celu usuwania ich do odpadów zgodnie z wymaganiami środowiska naturalnego oddawać do przedsiębiorstwa utylizacyjnego. Proszę zasięgnąć informacji o centrach recyklingowych i punktach zbiorczych u władz lokalnych lub u wyspecjalizowanego dostawcy.



Europejski Certyfikat Zgodności



Ukraiński Certyfikat Zgodności



Euroazjatycki Certyfikat Zgodności





MŰSZAKI ADATOK	M18 FBPV
<b>Ipari porszívó</b>	
Gyártási szám	4693 26 01... ... 000001-999999
Akkumulátor feszültség	18 V
Amper	25 A
Felvett teljesítmény	380 W
levegő térfogatáram	1557 l/min 93 m <sup>3</sup> /h
Elégtelen nyomás	18,9 kPa 189 mbar
Kapacitás	3,8 l
Szűrőtípus	HEPA H13
Súly a 01/2014 EPTA-eljárás szerint (Li-Ion 2,0 Ah ... 12,0 Ah)	8,43 kg ... 9,53 kg
Szívószáj átmérő	36 mm
Üzemeléshez ajánlott környezeti hőmérséklet	-18°C ... +50°C
Ájánlott akkusomagok	M18B... M18HB...
Ájánlott töltőkészülékek	M12-18... M1418 C6
<b>Zajinformáció</b> A közölt értékek megfelelnek az ISO 4871 szabványnak. A készülék munkahelyi zajszintje tipikusan: Hangnyomás szint LpA (K bizonytalanság=2dB(A)) Hangteljesítmény szint LWA (K bizonytalanság=2dB(A))	65 dB (A) 76 dB (A)
<b>Hallásvédő eszköz használata ajánlott!</b>	
<b>Regzésadatok a EN 60335-2-69 szabvány szerint</b> Összesített rezgésérték (három irány vektorális összege) az ISO 5349-nek megfelelően meghatározva. rezegeémisszió érték a <sub>h</sub> K bizonytalanság	0,15 m/s <sup>2</sup> 0,05 m/s <sup>2</sup>



**⚠ FIGYELMEZTETÉS! A készülék használata előtt alaposan olvassa át a használati útmutatót. Olvasson el minden biztonsági útmutatót és utasítást.**

A következőkben leírt előírások betartásának elmulasztása áramütésekhez, tűzhöz és/vagy súlyos testi sérülésekhez vezethet.

**FIGYELMEZTETÉS: A felhasználót megfelelően tájékoztatni kell a készülék használatáról!**

**Kérjük a későbbi használatra gondosan őrizze meg ezeket az előírásokat.**

### ⚠ KÜLÖNLEGES BIZTONSÁGI TUDNIVALÓK IPARI PORSZÍVÓ

**A jelen készülék nem alkalmas csökkent testi, érzékszervi vagy szellemi képességű személyek (beleértve a gyermekeket is), vagy olyanok általi használatra, akiknek nincs meg a kellő tapasztalatuk, ill. szaktudásuk. Továbbá a gyermekeket felügyelni kell annak biztosítására, hogy ne játsszanak a készülékkel. A tisztítást és a felhasznál i karbantartást soha nem végezhetik gyerekek felügyelet nélkül.**

**Ez a készülék csak felügyelet mellett működtethető.**

#### Tűz- és robbanásveszély!

Soha ne szívjon fel a gépbe sem semmilyen gyúlékony és robbanékony anyagot, sem a következőket: benzin, olaj, alkohol, hígítók vagy kis részek (pl.: fém tömitések, vagy hamu) ami 60 C foknál melegebb lehet - robbanás és tűzveszély állhat fent!

A gép használata nem engedélyezett gyúlékony gázok és anyagok közelében.

Ne fordítsa a szívószáját, tömlőt, vagy csövet ember vagy állat felé.

A haját, ujjakat és a testrészeket tartsa távol a nyílásoktól és mozgó alkatrészektől. Ne helyezzen tárgyakat a nyílásokba és ne használja a készüléket eltömődött nyílásokkal. Gondoskodjon róla, hogy a nyílásokba ne kerüljön por, papírforgács, haj, szőrzet és bármilyen egyéb, ami csökkenti a levegő áramlását.

**FIGYELMEZTETÉS!** A rövidzárlat általi tűz, sérülések vagy termékárosodások veszélye elkerülésére ne merítse a szerszámot, a cserélhető akkut vagy a töltőkészüléket folyadékba, és gondoskodjon arról, hogy ne hatoljanak folyadékok a készülékekbe és az akkuba. A korrozív hatású vagy vezetőképes folyadékok, mint pl. a sós víz, bizonyos vegyi anyagok, fehérítők vagy fehérítő tartalmú termékek, rövidzárlatot okozhatnak.

Az akkumulátort, töltőt nem szabad megbontani és kizárólag száraz helyen szabad tárolni. Nedvességtől óvni kell.

Az M18 elnevezésű rendszerhez tartozó akkumulátorokat kizárólag a rendszerhez tartozó töltővel töltsen fel. Ne használja más rendszerek akkumulátorait.

A munka elkezdése előtt a kezelő személyzetet tájékoztatni kell, és betanítani a következőkkel kapcsolatban:

- a készülék használata
- a felszívandó anyaghoz társuló kockázatok
- a felszívott anyag biztonságos ártalmatlanítása

## RENDELTESSZERŰ HASZNÁLAT

Ezt a mobil porszívó berendezést hatékony és biztonságos működésre terveztük, gyártottuk és vetettük szigorú vizsgálatok alá, amely képességét a készülék csak a jelen útmutatóban leírtak betartásával tudja nyújtani.

Az üzemeltetési utasításban leírt készülékek alkalmazhatók

- ipari célokra, pl. szállodákban, iskolákban, kórházakban, gyárakban, üzletekben, irodákban és bérelt üzletekben
- ipari felhasználás, pl. üzemek, építési területek és műhelyek.
- 1 mg/m<sup>3</sup>-nél magasabb expozíciós határértékű por elkülönítésére (L por-osztály).

**FIGYELMEZTETÉS: Ez a készülék csak szárazon történő használatra alkalmas.**

A berendezéssel az alábbi anyagokat nem szabad szívni:

- az M és H osztályba tartozó veszélyes porok
- forró anyagok (izzó cigaretta, forró hamu stb.)
- éghető, robbanékony, agresszív folyadékok (pl. benzin, oldószerek, savak, lúgok stb.)
- éghető, robbanékony porok (pl. magnézium-, alumíniumpor stb.)



Az L porosztályú (-0L, -2L jelöléssel ellátott) gépekre az alábbiak érvényesek:

- A készülék száraz, nem éghető por, OEL érték > 1mg/m<sup>3</sup> esetén veszélyes por felszedésére alkalmas.
- L porosztály (IEC 60335-2-69)
- Az ebbe az osztályba tartozó porok OEL értéke > 1mg/m<sup>3</sup>
- Az L porosztályba tartozó gépek esetében a szűrő anyaga bevizsgált. Az átengedés, permeabilitás maximális aránya 1 %, és a megsemmisítésre nincs különleges előírás.
- Porszívók esetén biztosítani kell a megfelelő L légcsereszámot, ha az elszívott levegő visszakérül a helyiségbe.

A használati útmutató és az adott országban érvényes vonatkozó balesetvédelmi előírások mellett be kell tartani a biztonságra és helyes használatra vonatkozó elfogadott irányelveket is.

A nem rendeltetészerű használatból eredő balesetek csak az előírások betartásával előzhetők meg.

**OLVASSA EL ÉS TARTSA BE AZ ÖSSZES BIZTONSÁGI ELŐÍRÁST.**

Minden egyéb használat nem rendeltetészerű használatnak minősül. A gyártó nem vállal felelősséget az ilyen használatból eredő károkért. Az ilyen használatból eredő kockázatokat kizárólag a felhasználó viseli. A rendeltetészerű használatához a gyártó által meghatározott helyes üzemeltetés, szervizelés és javítás is hozzátartozik.

## AKKUK

A hosszabb ideig üzemben kívül lévő akkumulátort használat előtt ismételtelen fel kell tölteni.

50°C feletti hőmérsékletnél csökkenhet az akkumulátor teljesítménye. Kerülni kell a túlzottan meleg helyen vagy napon történő hosszabb idejű tárolást.

A töltő és az akkumulátor csatlakozóit mindig tisztán kell tartani.

Az optimális élettartam érdekében használat után az akkukat teljesen fel kell tölteni.

A lehetőleg hosszú élettartamhoz az akkukat feltöltés után ki kell venni a töltőkészlekből.

Az akku 30 napot meghaladó tárolása esetén: Az akkut kb. 27 °C-on, száraz helyen kell tárolni. Az akkut kb. 30-50%-os töltöttségi állapotban kell tárolni. Az akkut 6 havonta újra fel kell tölteni.

A nem tölthető elemeket tilos tölteni.

Az újratölthető akkumulátorokat töltés előtt el kell távolítani a készülékből.

A lemerült elemeket el kell távolítani a készülékből, és biztonságosan ártalmatlanítani kell.

Ha a készüléket hosszabb ideig tárolják, akkor az akkumulátorokat el kell távolítani.

A csatlakozó érintkezőket nem szabad rövidre zární.

## LÍTIUM-ION AKKUK SZÁLLÍTÁSA

A lítium-ion akku a veszélyes áruk szállítására vonatkozó törvényi rendelkezések hatálya alá tartoznak.

Az ilyen akkuk szállításának a helyi, országos és nemzetközi előírások és rendelkezések betartása mellett kell történnie.

A fogyasztók minden további nélkül szállíthatják az ilyen akkukat közúton.

A lítium-ion akku szállítványozási vállalatok általi kereskedelmi célú szállítására a veszélyes áruk szállítására vonatkozó rendelkezések érvényesek. A kiszállítás előkészítését és a szállítást kizárólag megfelelő képzettségű személyek végezhetik. A teljes folyamatnak szakmai felügyelet alatt kell történnie.

A következő pontokat kell figyelembe venni akku szállításakor:

Biztosítsa, hogy a rövidzárlatok elkerülése érdekében az érintkezők védve és szigetelve legyenek. Ügyeljen arra, hogy az akkucsomag ne tudjon elcsúszni a csomagolásban belül. Tilos sérült vagy kifolyt akkukat szállítani. További útmutatásokért forduljon szállítványozási vállalatához.

## AZ AKKUMULÁTOR TÚLTERHELÉS ELLENI VÉDELME

Az akkumulátor nagyon magas áramfogyasztással való túlterhelése esetén, pl. rendkívül nagy nyomatokok, a szerszám beszorulása, hirtelen leállás vagy rövidzárlat miatt, az elektromos szerszám 2 másodpercre leáll és magától lekapcsol.

Az újbóli bekapcsoláshoz engedje el a nyomókapcsolót, majd kapcsolja be ismét.

Rendkívüli terheléseknél az akku túlságosan felmelegszik. Ebben az esetben a töltéskijelző mindig leáll addig villog, amíg az akku le nem hűl. Ha a töltéskijelző kialszik, utána tovább lehet dolgozni.

Az ismételt feltöltéshez és aktiváláshoz ekkor dugja az akkut a töltőkészlekkébe.

## A HASZNÁLATRA VONATKOZÓ ÚTMUTATÁSOK

A készüléket csak sérülésmentes állapotban helyezze üzembe. Soha ne használja a porszívót szűrő nélkül vagy sérült szűrővel.

Tilos a nem biztonságos műveletek végzése.

Lépcsők tisztításakor mindig legyen nagyon körültekintő.

Dobja ki a szűrő elemek, szűrő zsákok és ártalmatlanításra szolgáló zsák nemzeti szabályozással összhangban.

**FIGYELEM: Ez a készülék csak beltéri használatra alkalmas.**

Biztosítson megfelelő szellőzést a munkavégzés helyén.

Ha a készülék nem működik megfelelően, vagy leejtették, megrongálódott, az időjárásnak volt kitéve, esetleg vízbe esett, akkor juttassa a szervizközpontba vagy a viszonteladóhoz.



Mag

## ÁPOLÁS, TISZTÍTÁS ÉS KARBANTARTÁS

Karbantartás, javítás, tisztítás, stb. előtt az akkumulátort ki kell venni a készülékből.

Csak olyan karbantartási munkát végezzen el, amely a kezelési utasításban le van írva.

A készülék szellőzőnyílásait mindig tisztán kell tartani.

A levehető részeket (így a porgyűjtőt is) tisztításhoz el kell távolítani.

A port és szennyeződéseket mindig el kell távolítani a készülékről. A fogantyút tisztán, szárazon, valamint olajtól és zsírtól mentesen kell tartani. A tisztító- és oldószerek károsak a műanyagokra és más szigetelő részekre, ezért csak gyenge szappannal és nedves ruhával tisztítsa a készüléket. Soha ne használjon éghető oldószereket a készülék közelében.

A porszűrőt az üzemmórák számától függően kell cserélni. A gépet száraz ronggyal és kis mennyiségű polírozó spray-vel tartsa tisztán.

A szívóberendezés felső részétsoha ne spricelje le vízzel - ez veszélyezteti a személyeket és rövidzárlatot okoz.

A felhasználó által végzendő szervizeléshez a karbantartó személyzet és mások biztonságának veszélyeztetése nélkül észszerű módon szerelje szét és tisztítsa meg a gépet, majd végezze el a szervizelést. A megfelelő óvintézkedések közé tartozik a szétszerelés előtti szennyeződés-mentesítés, helyi szűrt elszívó szellőzés biztosítása a gép szétszerelésének helyén, a karbantartási terület takarítása és megfelelő személyi védőfelszerelés.

A karbantartás és javítás során minden olyan alkatrészt, amelyet nem lehetett kielégítően megtisztítani:

- Jól lezárt tasakokba kell elhelyezni
- Oly módon kell megsemmisíteni, amely megfelel az ilyen hulladékok eltávolítására vonatkozó hatályos jogszabályoknak.

A készüléket szakképzett szerviztechnikusnak rendszeresen meg kell vizsgálnia. Például ellenőrizze a szűrő esetleges sérülését és ellenőrizze a készülék légtömörtségét, és a vezérlő mechanizmus előírászerű működőképességét.

A nem eredeti pótalkatrészek, kefék és tartozékok használata hátrányosan befolyásolhatja a készülék biztonságos használatát és működését. Csak Milwaukee tartozékokat és Milwaukee pótalkatrészeket szabad használni. Az olyan elemeket, melyek cseréje nincs ismertetve, cseréltesse ki Milwaukee szervizzel (lásd Garancia/Ügyfélszolgálat címei kiadványt).

Szükség esetén a készülékek robbantott ábráját - a készülék típusa és azonosító száma alapján a területileg illetékes Milwaukee márkaszerviztől vagy közvetlenül a gyártótól (Techtronic Industries GmbH, Max-Eyth-Straße 10, 71364 Winnenden, Germany) lehet kérni.

## TÁROLÁS

A készüléket szárazon és fagymentesen tárolja.

**FIGYELEM: Ezt a készüléket csak beltérben szabad tárolni.**

## CE-AZONOSSÁGI NYILATKOZAT

Kizárólagos felelősségünk alapján kijelentjük, hogy a „Műszaki adatok” fejezetben leírt termék megfelel a irányelvek összes vonatkozó rendelkezésének

2011/65/EU (RoHS)  
2006/42/EK  
2014/30/EU  
harmonizált szabvány és a  
EN 60335-1:2012+A11:2014+A13:2017  
EN 60335-2-69:2012  
EN 62233:2008  
EN 55014-1:2017  
EN 55014-2:2015  
EN 50581:2012



Winnenden, 2018-07-04

Alexander Krug / Managing Director  
Műszaki dokumentáció összeállításra felhatalmazva  
Techtronic Industries GmbH  
Max-Eyth-Straße 10, 71364 Winnenden, Germany



Mag

## SZIMBÓLUMOK



FIGYELEM! FIGYELMEZTETÉS! VESZÉLY!



Karbantartás, javítás, tisztítás, stb. előtt az akkumulátort ki kell venni a készülékből.



Kérjük alaposan olvassa el a tájékoztatót mielőtt a gépet használja.



Kérjük alaposan olvassa el a tájékoztatót mielőtt a gépet használja.



Azokat a tartozékokat, amelyek gyárilag nincsenek a készülékhez mellékelve, külön lehet megrendelni.



FIGYELMEZTETÉS: Ez a készülék csak szárazon történő használatra alkalmas.



Védelmi osztály III

**V** Volt AC

--- Egyenáram



L porosztály (IEC 60335-2-69)

Az ebbe az osztályba tartozó porok OEL értéke  $> 1\text{mg}/\text{m}^3$



Az elektromos eszközöket, elemeket/akkukat nem szabad a háztartási hulladékkal együtt ártalmatlanítani. Az elektromos eszközöket és akkukat szelektíven kell gyűjteni, és azokat környezetbarát ártalmatlanítás céljából hulladékhasznosító üzemben kell leadni. A helyi hatóságoknál vagy szakkereskedőjénél tájékozódjon a hulladékudvarokról és gyűjtőhelyekről.



Európai megfelelőségi jelölés



Ukrán megfelelőségi jelölés



Eurázsiai megfelelőségi jelölés



TEHNIČNI PODATKI	M18 FBPV
<b>Odsesavanje</b>	
Proizvodna številka	4693 26 01... ... 000001-999999
Napetost izmenljivega akumulatorja	18 V
Sprejem toka	25 A
Napajanje	380 W
Volumen zračnega toka	1557 l/min 93 m <sup>3</sup> /h
Podtlak	18,9 kPa 189 mbar
Prostornina	3,8 l
Tip filtra	HEPA H13
Teža po EPTA-proceduri 01/2014 (Li-Ion 2,0 Ah ... 12,0 Ah)	8,43 kg ... 9,53 kg
Premer sesalne cevi	36 mm
Priporočena temperatura okolice za obratovanje	-18°C ... +50°C
Priporočeni kompleti akumulatorjev	M18B... M18HB...
Priporočeni polnilniki	M12-18... M1418 C6
<b>Informacije o hrupnosti</b> Vrednosti merjenja ugotovljene ustrezno z ISO 4871. Raven hrupnosti naprave ovrednotena z A, znaša tipično:	
Nivo zvočnega tlaka LpA (Nevarnost K=2dB(A))	65 dB (A)
Višina zvočnega tlaka LWA (Nevarnost K=2dB(A))	76 dB (A)
<b>Nosite zaščito za sluh!</b>	
<b>Podatki o tresljajih v skladu z EN 60335-2-69</b> Skupna vibracijska vrednost (Vektorska vsota treh smeri) določena ustrezno ISO 5349.	
Vibracijska vrednost emisij a <sub>h</sub> Nevarnost K=	0,15 m/s <sup>2</sup> 0,05 m/s <sup>2</sup>



**⚠ OPOZORILO! Pred uporabo aparata natančno preberite navodila za uporabo. Preberite vsa varnostna opozorila in navodila.**

Napake zaradi neupoštevanja spodaj navedenih opozoril in napotil lahko povzročijo električni udar, požar in/ali težke telesne poškodbe.

**OPOZORILO: Glede uporabe naprave mora biti uporabnik v zadostni meri poučen!**

**Vsa opozorila in napotila shranite, ker jih boste v prihodnje še potrebovali.**

**⚠ SPECIALNI VARNOSTNI NAPOTKI ODESAVANJE**

**Ta naprava ni primerna za uporabo s strani oseb (vključno z otroki) z omejenimi telesnimi, senzoričnimi ali duševnimi sposobnostmi ali pomanjkljivimi izkušnjami oz. strokovnim znanjem. Vrh tega je potrebno otroke nadzorovati, da zagotovimo, da se z napravo ne bodo igrali. Čiščenje in vzdrževanje se ne sme izvajati s strani nenadzorovanih otkov.**

**Aparat se lahko uporablja samo pod nadzorom.**

Na splošno se ne smejo vsesavati nikakršna eksplozivna topila, tekočine kot bencin, olje, alkohol, razredčilo in majhni deli (kovinski drobc, pepel), s temperaturo nad 60 °C; v nasprotnem primeru preti nevarnost eksplozije!

Naprava se ne sme uporabljati v bližini vnetljivih plinov in substanc. Sobe, gibke cevi ali cevi ne usmerjajte proti ljudem ali živalim.

Pazite, da lasje, ohlapna oblačila, prsti in drugi deli telesa ne bodo v bližini odprtih in premičnih delov. Ne vstavljajte predmetov v odprtine in ne uporabljajte naprave, če so odprtine zamašene. Pazite, da se v odprtinah ne nabere prah, kosmi, lasje in karkoli drugega, kar bi lahko oviralo pretok zraka.

**OPOZORILO!** V izogib, s kratkim stikom povzročene nevarnosti požara, poškodb ali okvar na proizvodu, orodja, izmenljivega akumulatorja ali polnilne naprave ne potaplajte v tekočine in poskrbite, da ne bo prihajalo do vdora tekočin v napravo in akumulatorje. Korozivne ali prevodne tekočine, kot so slana voda, določene kemikalije in belila ali proizvodi, ki le ta vsebujejo, lahko povzročijo kratek stik.

Izmenljivih akumulatorjev in polnilnih aparatov ne odpirajte in jih hranite samo v suhih prostorih. Zaščitite jih pred mokroto.

Izmenljiv akumulatorje sistema M18 polnite samo s polnilnimi aparati sistema M18. Ne uporabljajte baterijskih vložkov iz drugih sistemov.

Pred začetkom dela mora biti delovno osebje obveščeno o in usposobljeno glede:

- uporabe naprave
- tveganj pri ravnanju z materialom, ki bo posesan
- varnega odstranjevanja posesanega materiala

**UPORABA V SKLADU Z NAMEMBNOSTJO**

Mobilni odstranjevalec prahu je razvit, oblikovan in podvržen stroгим testom, zato je učinkovit in varen, če ga primerno vzdržujete in uporabljate v skladu s spodnjimi navodili.

Sesalci, ki so opisani v tem navodilu za uporabo, so primerni

- za gospodarsko uporabo, npr. v hotelih, šolah, bolnišnicah, tovarnah, trgovinah, pisarnah in trgovinah, ki izposojajo čistilne naprave
- industrijska uporaba, kot so npr. obrati, gradbišča in delavnice.
- za ločevanje prahu z ekspozijsko mejno vrednostjo večjo od 1 mg/m<sup>3</sup> (klasifikacija prahu – razred L).

#### **OPZORILLO: Ta naprava je primerna zgolj za suho uporabo.**

Sesati ne smete sledečih materialov:

- nevarni prah, ki spada v razreda M in H
- vroči materiali (tlee cigarete, vroči pepel itd.)
- gorljive, eksplozivne, agresivne tekočine (npr. bencin, topila, kisline, lugji, itd.)
- gorljive, eksplozivne vrste prahu (npr. magnezijev prah, aluminijev prah itd.)



Za aparate za sesanje prahu razreda L (z referenčno oznako -0L, -2L) velja naslednje:

- Aparat je primeren za pobiranje suhega, nevteljivega prahu, nevarnih prahov z mejno vrednostjo za poklicno izpostavljenost (OEL) > 1mg/m<sup>3</sup>.
- Prah razreda L (IEC 60335-2-69)
- Prah, ki spada v ta razred, ima vrednosti OEL > 1mg/m<sup>3</sup>
- Za aparate, namenjene sesanju prahu razreda L, se filtrirni material preizkuša. Največja stopnja prepustnosti je 1 %, pri čemer ni posebnih zahtev za odstranjevanje.
- Če se izpušni zrak vrača v prostor, za izločevalnike prahu zagotovite ustrezno stopnjo menjave zraka L.

Poleg navodil za uporabo in obvezujočih predpisov za preprečevanje nesreč, ki veljajo v državi uporabe, upoštevajte tudi priznane predpise za varnost in pravilno uporabo.

Nesreče zaradi napačne uporabe lahko preprečijo le osebe, ki napravo uporabljajo.

#### **PREBERITE IN UPOŠTEVAJTE VSA VARNOSTNA NAVODILA!**

Ostali načini uporabe veljajo za nepravilno uporabo. Proizvajalec ne prevzema nikakršne odgovornosti za morebitno škodo, ki bi nastala zaradi takšne uporabe. Odgovornost za nepravilno uporabo nosi uporabnik sam. Primerna uporaba vključuje tudi primerno rokovanje/delo, servisiranje in popravila, kot določa proizvajalec.

### **AKUMULATORJI**

Izmenljive akumulatorje, ki jih daljši čas niste uporabljali, pred uporabo naknadno napolnite.

Temperatura nad 50°C zmanjšuje zmogljivost izmenljivega akumulatorja. Izogibajte se daljšemu segrevanju zaradi sončnih žarkov ali gretja.

Pazite, da ostanejo priključni kontakti na polnilnem aparatu in izmenljivem akumulatorju čisti.

za optimalno življenjsko dobo je potrebno akumulatorje po uporabi do konca napolniti.

Za čim daljšo življenjsko dobo naj se akumulatorji po napolnitvi vzamejo ven iz naprave za polnjenje.

Pri skladiščenju akumulatorjev dalj kot 30 dni: Akumulator skladiščiti pri 27°C in na suhem. Akumulator skladiščiti pri 30%-50% stanja polnjenja. Akumulator spet napolniti vsakih 6 mesecev.

Baterij, ki jih ni mogoče polniti, ne smete polniti.

Polnilne baterije je potrebno pred polnitvijo odstraniti iz naprave.

Prazne baterije je potrebno iz naprave odstraniti in varno odvesti.

V kolikor se bo naprava za daljši čas skladiščila, naj se baterije odstranijo.

Priključni kontakti ne smejo priti v kratek stik.

### **TRANSPORT LITIJ-IONSkih AKUMULATORJEV**

Litij-ionski akumulatorji so podvrženi zakonskim določbam transporta nevarnih snovi.

Transport teh akumulatorjev se mora izvajati upoštevajoč lokalne, nacionalne in mednarodne predpise in določbe.

Potrošniki lahko te akumulatorje še nadalje transportirajo po cesti.

Komercialni transport litij-ionskih akumulatorjev s strani špediterskih podjetij je podvržen določbam transporta nevarnih snovi. Priprava odpreme in transporta se lahko vrši izključno s strani ustrezno izšolanih oseb. Celoten proces je potrebno strokovno spremljati.

Pri transportu akumulatorjev je potrebno upoštevati sledeče točke: V izogib kratkim stikom zagotovite, da bodo kontakti zaščiteni in izolirani. Bodite pozorni na to, da paket akumulatorja v notranjosti embalaže ne bo mogel zdrsniti. Poškodovanih ali iztekajočih akumulatorjev ni dovoljeno transportirati. Za nadaljnja navodila se obrnite na vaše špeditersko podjetje.



### **ZAŠČITA PREOBREMITVE AKUMULATORJA**

Pri preobremenitvi akumulatorja s previsoko porabo toka, npr. ekstremno visoki vrtilni momenti, zatik uporabljenega orodja, nemadna zaustavitelj ali kratek stik, se električno orodje za 2 sekundi ustavi in samodejno izklopi.

Za ponoven vklop izpuscite pritisno stikalo in nato znova vklopite. Pod ekstremnimi obremenitvami se akumulator premočno segreva. V tem primeru utripajo vse lučke prikazovalnika polnjenja dokler se akumulator ne ohladi. Za tem, ko prikazovalnik polnjenja ugasne lahko z delom nadaljujemo.

Za ponovno polnitev in aktiviranje akumulatorja ga je potrebno vstaviti v polnilce.

### **PRACOVNE POKYNI**

Napravo uporabljajte samo, če je v brezhibnem stanju. Nikoli ne sesajte brez filtra ali s poškodovanim filtrom.

Ne uporabljajte nevarnih delovnih metod.

Pri čiščenju na stopnicah bodite še posebej previdni.

Zavržite filterških elementov, filter vrečke in Vreče, v skladu z nacionalnimi predpisi.

**POZOR: Ta naprava je zgolj primerna za uporabo v notranjih prostorih.**

Na delovnem mestu zagotovite dobro prezračevanje.

Če naprava ne deluje ustrezno ali če je padla, je bila poškodovana, ste jo pustili zunaj ali je padla v vodo, jo vrnite v servisni center ali prodajalcu.

### **VZDRŽEVANJE, ČIŠČENJE IN POPRAVILLO**

Pred vsemi deli na stroji odstranite izmenljivi akumulator.

Izvajajte samo tista vzdrževalna dela, ki so opisana v navodilu za uporabo.

Pazite na to, da so prezračevalne reže stroja vedno čiste.

Odstranjenjve dele (vključno z zbiralnikom prahu) je treba odstraniti za čiščenje.

Prah in nečistoče vsakokrat odstranite iz naprave. Ročaj vzdržujete čist, suh in olja ali masti prost. Čistilna sredstva in razredčila so škodljiva za umetne mase in ostale izolirajoče dele, zaradi tega

napravo čistite zgolj z blagim milom in vlažno krpo. V bližini naprave nikdar ne uporabljajte gorljivih razredčil.

Filter za prah se mora obnoviti v odvisnosti od števila ur delovanja. Aparat očistite s suho krpo in majhno količino polirnega sredstva za razprševanje.

Zgornjega dela sesalca nikoli ne poškrbite z vodo: nevarnost za osebe, nevarnost kratkega stika.

Za servisiranje mora biti naprava razstavljena, očiščena in servisirana, in v kolikor je to mogoče, brez tveganja za vzdrževalno osebo in druge. Primerni varnostni ukrepi vključujejo dekontaminacijo pred razstavljanjem, ukrepe za lokalno prezračevanje tam, kjer se stroj razstavi, čisti in servisira ter primerno osebno zaščito.

Med vzdrževalnimi posegi in popravilom morajo biti vsi kontaminirani deli, ki jih ni bilo mogoče dovoljivo očistiti:

- Zapakirani v zapečateni vreči.
- Odstranjeni na način, ki je skladen z veljavnimi predpisi za tovrstno odstranjevanje odpadkov.

Aparat mora redno pregledati usposobljeni servisni tehnik. Preverite, na primer, filtre za poškodbe in neprepustnost aparata ter pravilno delovanje krmilnega mehanizma.

Uporaba neoriginalnih rezervnih delov in dodatkov lahko ovira varnost in/ali delovanje naprave. Uporabljajte samo Milwaukee pribor in Milwaukee nadomestne dele. Poskrbite, da sestavne dele, katerih zamenjava ni opisana, zamenjajo v Milwaukee servisni službi (upoštevajte brošuro Garancija aslovi servisnih služb).

Po potrebi se lahko pri vaši servisni službi ali direktno pri Techtronic Industries GmbH naroči eksplozijska risba naprave ob navedbi tipa stroja in številke s tipske ploščice Techtronic Industries GmbH, Max-Eyth-Straße 10, 71364 Winnenden, Germany.

## SKLADIŠČENJE

Stroj odložite na suhem mestu, zaščitenem pred zmrzovanjem.

**POZOR: To napravo je dovoljeno shranjevati zgolj v notranjih prostorih.**

## CE-IZJAVA O KONFORMNOSTI

S polno odgovornostjo izjavljam, da izdelek, opisan pod „Tehnični podatki“ izpolnjuje vse ustrezne določbe direktiv

2011/65/EU (RoHS)

2006/42/ES

2014/30/EU

ter da so bili uporabljeni naslednji harmonizirani standardi

EN 60335-1:2012+A11:2014+A13:2017

EN 60335-2-69:2012

EN 62233:2008

EN 55014-1:2017

EN 55014-2:2015

EN 50581:2012



Winnenden, 2018-07-04

Alexander Krug / Managing Director

Pooblaščen za izdelavo spisov tehnične dokumentacije.

Techtronic Industries GmbH

Max-Eyth-Straße 10, 71364 Winnenden, Germany

## SIMBOLI



POZOR! OPOZORILO! NEVARNO!



Pred vsemi deli na stroji odstranite izmenljivi akumulator.



Prosimo, da pred uporabo pozorno preberete to navodilo za uporabo.



Prosimo, da pred uporabo pozorno preberete to navodilo za uporabo.



Oprema – ni vsebovana v obsegu dobave, priporočeno dopolnilo iz programa opreme.



OPOZORILO: Ta naprava je primerna zgolj za suho uporabo.



Trieda ohranjanja III



Napetost



Enosmerni tok



Prah razreda L (IEC 60335-2-69)

Prah, ki spada v ta razred, ima vrednosti OEL > 1mg/m<sup>3</sup>



Električnih naprav, baterij/akumulatorjev ni dovoljeno odstranjevati skupaj z gospodinjskimi odpadki. Električne naprave in akumulatorje je potrebno zbirati ločeno in za okolju prijazno odstranitev, oddati podjetju za reciklažo. Pri krajevnem uradu ali vašem strokovnem prodajalcu se pozanimajte glede reciklažnih dvorišč in zbirnih mest.



Evropska oznaka za združljivost



Ukrajinska oznaka za združljivost



Evrazijska oznaka za združljivost

TEHNIČKI PODACI	M18 FBPV
<b>Usisni sustav</b>	
Broj proizvodnje	4693 26 01... ... 000001-999999
Napon baterije za zamjenu	18 V
Primanje struje	25 A
Primanje snage	380 W
Strujanje volumena zraka	1557 l/min 93 m <sup>3</sup> /h
Podtlak	18,9 kPa 189 mbar
Zapremina	3,8 l
Tip filtera	HEPA H13
Težina po EPTA-proceduri 01/2014 (Li-Ion 2,0 Ah ... 12,0 Ah)	8,43 kg ... 9,53 kg
Promjer usisnog crijeva	36 mm
Preporučena temperatura okoline za pogon	-18°C ... +50°C
Preporučeni akumulatorski paket	M18B... M18HB...
Preporučeni punjači	M12-18... M1418 C6
<b>Informacije o buci</b>	
Mjerne vrijednosti utvrđene odgovarajuće ISO 4871. A-ocijenjeni nivo buke aparata iznosi tipično:	
Nivo pritiska zvuka LpA (Nesigurnost K=2dB(A))	65 dB (A)
Nivo učinka zvuka LWA (Nesigurnost K=2dB(A))	76 dB (A)
<b>Nositi zaštitu sluha!</b>	
<b>Podaci o vibracijama prema normi EN 60335-2-69</b>	
Ukupne vrijednosti vibracije (Vektor suma tri smjera) su odmjerene odgovarajuće ISO 5349	
Vrijednost emisije vibracije a <sub>h</sub>	0,15 m/s <sup>2</sup>
Nesigurnost K=	0,05 m/s <sup>2</sup>



**⚠ UPOZORENIE! Prije korištenja uređaja pažljivo pročitajte upute za upotrebu. Pročitajte sigurnosne upute i uputnice.**

Ako se ne bi poštivale napomene o sigurnosti i upute to bi moglo uzrokovati strujni udar, požar i/ili teške ozljede.

**UPOZORENJE: Korisnik mora u svezi primjene aparata biti u dovoljnoj mjeri informiran!**  
Sačuvajte sve napomene o sigurnosti i upute za buduću primjenu.

#### **⚠ SPECIJALNE SIGURNOSNE UPUTE USISNI SUSTAV**

**Ovaj aparat nije prikladan za uporabu od strane osoba (uključno djece) sa smanjenim tjelesnim, senzorskim ili duševnim sposobnostima ili sa nedostanim iskustvom odn. stručnim znanjem. Djeca se uz to moraju nadzirati kako bi se osiguralo, da se ne igraju s aparatom. Čišćenje i održavanje ne smiju izvoditi djeca bez nadzora.**

**Uređajem se smije rukovati samo pod nadzorom.**

#### **Vatra i opasnost od eksplozije!**

Generalno se ne smiju usisavati nikakva zapaljiva ili eksplozivna otapala, tekućine kao benzin, ulje, alkohol, razrijeđivači i nikakvi dijelovi (metalne strugotine, pepeo), sa jednom temperaturom od preko 60 °C; postoji opasnost od eksplozije i požara!

Uređaj se ne smije upotrebljavati u blizini zapaljivih plinova i supstancija.

Sapnicu, gumenu cijev ili cijev ne usmjeravati prema ljudima i životinjama.

Kosu, labavu odjeću, prste i sve dijelove tijela držite podalje od otvora i pokretnih dijelova. Ne stavljajte nikakve predmete u otvore i ne rabite uređaj sa začepljenim otvorima. Otvori moraju biti čisti, bez prašine, prljavštine, kose i bilo čega što bi moglo smanjiti protok zraka.

**UPOZORENIE!** Zbog izbjegavanja opasnosti od požara jednim kratkim spojem, opasnosti od ozljeda ili oštećenja proizvoda, alat, izmjenjivi akumulator ili napravu za punjenje ne uronjavati u tekućine i pobrinite se za to, da u uređaje ili akumulator ne prodiru nikakve tekućine. Korozirajuće ili vodljive tekućine kao slana voda, određene kemikalije i sredstva za bijeljenje ili proizvodi koji sadrže sredstva bijeljenja, mogu prouzročiti kratak spoj.

Baterije za zamjenu i uređaje za punjenje ne otvarati i čuvati ih samo u suhim prostorijama. Čuvati protiv vlage.

Baterije sistema M18 puniti samo sa uređajem za punjenje sistema M18. Ne koristite baterijske sklopove drugih sustava.

Prije početka uporabe osoblje mora biti informirano i obučeno za sljedeće:

- uporaba stroja
- opasnosti povezane s materijalom koji se usisava
- sigurno zbrinjavanje usisanog materijala

#### **PROPISNIA UPOTREBA**

Ovaj prijenosni odstranjivač prašine projektiran je, razvijen i rigorozno testiran kako bi učinkovito i sigurno funkcionirao kada se pravilno održava i koristi u skladu sa sljedećim uputama.

Uređaji opisni u ovi uputama su prikladni



- za komercijalnu uporabu npr. u hotelima, školama, bolnicama, tvornicama, trgovinama, uređima i lokalima
- upotreba u industriji, na primjer u pogonima, gradilištima, radionicama.
- za odvajanje svake vrste prašine s ekspanzijskim graničnim vrijednostima većim od  $1 \text{ mg/m}^3$  (klasa prašine L)

### UPOZORENJE: Ovaj aparat je prikladan samo za suhu uporabu.

Ne smiju se usisavati sljedeći materijali:

- opasne prašine iz klasa M i H
- vrući materijali (zapaljene cigarete, vruć pepeo, itd.)
- zapaljive, eksplozivne, agresivne tekućine (npr. benzin, otopine, kiseline, lužine, itd.)
- zapaljive, eksplozivne prašine (npr. magnezijski, aluminijski prah)



Za strojeve za prašinu klase L (s tipskom oznakom -0L, -2L) vrijedi sljedeće:

- Uređaj je prikladan za usisavanje suhe, nezapaljive prašine, opasne prašine s graničnom vrijednošću za profesionalnu izloženost  $> 1 \text{ mg/m}^3$ .
- Klasa prašine L (IEC 60335-2-69)
- Granična vrijednost za profesionalnu izloženost za ovu klasu prašine iznosi  $> 1 \text{ mg/m}^3$
- Za strojeve namijenjene za klasu prašine L filterski materijal se testira. Najveći stupanj propusnosti iznosi 1% i nema posebnih naputaka za zbrinjavanje.
- Za usisavanje prašine osigurajte prikladnu stopu izmjene zraka L pri povratu ispušnog zraka u prostoriju.

Pored uputa za uporabu i odgovarajućih propisa o sprječavanju nezgoda koje važe u zemlji u kojoj se uređaj rabi, pridržavajte se općih propisa o sigurnoj i pravilnoj uporabi.

Nesreće uslijed nepropisne uporabe mogu spriječiti isključivo osobe koje upotrebljavaju uređaj.

### PROČITAJTE I PRIDRŽAVAJTE SE SVIH SIGURNOSNIH UPUTA.

Bilo kakvo drugo korištenje smatra se kao nepravilno korištenje. Proizvođač nije odgovoran za bilo kakvo oštećenje nastalo kao rezultat takvog korištenja. Opasnost od takvog korištenja isključiva je odgovornost korisnika. Pravilno korištenje također uključuje pravilan rad, servisiranje i popravke kao što navodi proizvođač.

### BATERIJE

Baterije koje duže vremena nisu korištene, prije upotrebe napuniti. Temperatura od preko  $50^\circ\text{C}$  smanjuje učinak baterija. Duže zagrijavanje od strane sunca ili grijanja izbjeci.

Priključne kontakte na uređaju za punjenje i baterijama držati čistima.

Za optimalni vijek trajanja se akumulatori poslije upotrebe moraju sasvim napuniti.

Za što moguće duži vijek trajanja, akumulatori se nakon punjenja moraju odstraniti iz punjača.

Kod skladištenja akumulatora duže od 30 dana: Akumulator skladištiti na suhom kod ca.  $27^\circ\text{C}$ . Akumulator skladištiti kod ca. 30%-50% stanja punjenja. Akumulator ponovno napuniti svakih 6 mjeseci.

Baterije koje nisu namijenjene za ponovno punjenje ne smiju se puniti.

Baterije na punjenje se moraju prije punjenja odstraniti iz uređaja.

Prazne baterije se moraju odstraniti iz uređaja i sigurno zbrinuti. Ako se uređaj duže vremena skladišti, baterije se moraju izvaditi. Priključni kontakti se ne smiju kratko spojiti.

### TRANSPORT LITIJSKIH IONSKIH BATERIJA

Litijske-ionske baterije spadaju pod zakonske odredbe u svezi transporta opasne robe.

Prijevoz ovih baterija mora uslijediti uz poštivanje lokalnih, nacionalnih i internacionalnih propisa i odredaba.

Korisnici mogu bez ustručavanja ove baterije transportirati po cestama.

Komercijalni transport litijsko-ionskih baterija od strane transportnih poduzeća spada pod odredbe o transportu opasne robe. Otpremničke pripreme i transport smiju izvoditi isključivo odgovarajuće školovane osobe. Kompletni proces se mora pratiti na stručan način.

Kod transporta baterija se moraju poštivati sljedeće točke:

Uvjerite se da su kontakti zaštićeni i izolirani kako bi se izbjegli kratki spojevi. Pazite na to, da blok baterija unutar pakiranja ne može proklizavati. Oštećene ili iscurjele baterije se ne smiju transportirati. U svezi ostalih uputa obratite se vašem prijevoznom poduzeću.

### ZAŠTITA OD PREOPTEREĆENJA AKUMULATORA

Kod preopterećenja akumulatora prevelikom potrošnjom struje, npr. ekstremno visoki zakretni momenti, uklještenje radnog alata, naglo zaustavljanje ili kratak spoj, električni alat se zaustavlja 2 sekunde i isključuje se samostalno.

Za ponovno uključivanje ispustiti okidač sklopke i zatim ponovno uključiti.

Pod ekstremnim opterećenjima se akumulator prejako zagrije. U tome slučaju trepere sve lampice pokazivača punjenja, sve dok se akumulator ne ohladi. Poslije gašenja pokazivača punjenja se može nastaviti sa radom.

Akumulator zatim utaknuti u punjač kako bi se ovaj ponovno napunio i zatim aktivirao.

### RADNE UPUTE

Aparat koristite samo ako je u besprijekornom stanju. Nemajte nikada usisavati bez filtera ili sa oštećenim filterom.

Ne koristite nepouzdana tehnika rada.

Prilikom čišćenja stepenica budite osobito oprezni.

Bacite filter elementa, filter vrećice i vrećice za otpad, u skladu s nacionalnim propisima.

### PAŽNJA: Ovaj aparat je prikladan samo za uporabu u unutarnjim prostorijama.

Na radnom mjestu osigurajte dobro provjetranje.

Ako stroj ne funkcionira pravilno ili je pao, bio oštećen, ostavljen na otvorenom ili je pao u vodu, vratite ga u servisni centar ili trgovcu.

### ODRŽAVANJE, ČIŠĆENJE I POPRAVAK

Prije svih radova na stroju izvaditi bateriju za zamjenu.

Obavljati samo one radove održavanja koji su opisani u uputama za rukovanje.

Proreze za prozračivanje stroja uvijek držati čistima.

Odvojivi dijelovi (uključuju kolektor prašine) se prilikom čišćenja moraju odvojiti.

Prašinu i prljavštinu uvijek odstraniti s uređaja. Ručku držati čistom, suhom i bez ulja ili masnoća. Sredstva za čišćenje i otapala su štetna za plastiku i druge izolirajuće dijelove, stoga uređaj čistiti samo blagim sapunom i jednom vlažnom krpom. Nemojte nikada upotrebljavati goriva otapala u blizini uređaja.

Ovisno o broju sati rada - potrebno je promijeniti filter za prašinu. Stroj čistite suhom krpom i malom količinom sredstva za poliranje u spreju.

Gornji dio usisavača nikada ne prskati vodom: opasnost za ljude, opasnost od kratkog spoja.

Za korisničko servisiranje uređaj mora biti razmontiran, očišćen i održavan što je moguće praktičnije bez izazivanja opasnosti za osoblje za održavanje uređaja i druge osobe. Odgovarajuće mjere predostrožnosti uključuju dekontaminaciju prije demontiranja, osiguranje ventilacije na mjestu gdje se uređaj demontira, čišćenje područja gdje se vrši održavanje i odgovarajuću zaštitu osoblja.

Za vrijeme održavanja i popravaka svi zagađeni dijelovi koji se nisu mogli očistiti na zadovoljavajući način moraju biti:

- Zapakirani u dobro zatvorene vreće
- Zbrinuti sukladno propisima za zbrinjavanje takvog otpada.

Uređaj treba redovito provjeravati kvalificirani tehničar. Na primjer, provjeriti jesu li filteri oštećeni te provjeriti nepropusnost uređaja i ispravnost funkcije kontrolnog mehanizma.

Uporaba neoriginalnih rezervnih dijelova, četki i pribora može ugroziti sigurnost i/ili rad uređaja. Primijeniti samo Milwaukee opremu i Milwaukee rezervne dijelove. Sastavne dijelove, čija zamjena nije opisana, dati zamijeniti kod jedne od Milwaukee servisnih službi (poštivati brošuru Garancija/Adrese servisa).

Po potrebi se može zatražiti crtež eksplozije aparata uz davanje podataka o tipu stroja i desetoznamenkastog broja na pločici snage kod Vaše servisne službe ili direktno kod Techtronic Industries GmbH, Max-Eyth-Straße 10, 71364 Winnenden, Germany.

## SKLADIŠTENJE

Stroj odložite na suhom mjestu zaštićenom od smrzavanja.

**PAŽNJA: Ovaj aparat se smije skladištiti samo u unutarnjim prostorijama.**

## CE-IZJAVA KONFORMNOSTI

Izjavljujemo pod vlastitom odgovornošću da proizvod opisan u odjeljku „Tehnički podaci“ ispunjava sve potrebne odredbe smjernica

2011/65/EU (RoHS)

2006/42/EC

2014/30/EU

i da su korišteni sljedeći usklađeni standardi

EN 60335-1:2012+A11:2014+A13:2017

EN 60335-2-69:2012

EN 62233:2008

EN 55014-1:2017

EN 55014-2:2015

EN 50581:2012



Winnenden, 2018-07-04

Alexander Krug / Managing Director

Ovlašten za formiranje tehničke dokumentacije.  
Techtronic Industries GmbH  
Max-Eyth-Straße 10, 71364 Winnenden, Germany

## SIMBOLI



PAŽNJA! UPOZORENJE! OPASNOST!



Prije svih radova na stroju izvaditi bateriju za zamjenu.



Molimo da pažljivo pročitate uputu o upotrebi prije puštanja u rad.



Molimo da pažljivo pročitate uputu o upotrebi prije puštanja u rad.



Oprema - u opsegu isporuke nije sadržana, preporučena dopuna iz promograma opreme.



UPOZORENJE: Ovaj aparat je prikladan samo za suhu uporabu.



Klasa zaštite III

V

Napon



Istosmjerna struja



Klasa prašine L (IEC 60335-2-69)

Granična vrijednost za profesionalnu izloženost za ovu klasu prašine iznosi > 1mg/m<sup>3</sup>



Elektroređajevi, baterije/akumulatori se ne smiju zbrinjavati skupa sa kućnim smećem. Električni uređajevi akumulatori se moraju skupljati odvojeno i predati na zbrinjavanje primjereno okolišu jednom od pogona za iskorišćavanje. Raspajajte se kod mjesnih vlasti ili kod stručnog trgovca u svezi gospodarstva za recikliranje i mjesta skupljanja.



Europski znak suglasnosti



Ukrajinski znak suglasnosti



Euroazijski znak suglasnosti

Hrvatski



TEHNISKIE DATI Putekļu savācējs	M18 FBPV
Izlaides numurs	4693 26 01... ... 000001-999999
Akumulātorā spriegums	18 V
Strāvas uzņemšana	25 A
Jauda	380 W
Gaisa plūsmas tilpums	1557 l/min 93 m <sup>3</sup> /h
Zemspiediens	18,9 kPa 189 mbar
Tilpums	3,8 l
Filtra tips	HEPA H13
Svars atbilstoši EPTA -Procedure 01/2014 (Li-Ion 2,0 Ah ... 12,0 Ah)	8,43 kg ... 9,53 kg
Putekļusūcēja pieslēguma caurules diametrs	36 mm
Darbībai ieteicamā apkārtnes temperatūra	-18°C ... +50°C
Ieteicamie akumulatoru komplekti	M18B... M18HB...
Ieteicamās uzlādes ierīces	M12-18... M1418 C6
<b>Trokšņu informācija</b> Vērtības, kas noteiktas saskaņā ar ISO 4871. A novērtētās aparatūras skaņas līmenis ir: Trokšņa spiediena līmenis LpA (Nedrošība K=2dB(A)) Trokšņa jaudas līmenis LWA (Nedrošība K=2dB(A))	65 dB (A) 76 dB (A)
<b>Nēsāt trokšņa slāpētāju!</b>	
<b>Informācija par vibrāciju saskaņā ar EN 60335-2-69</b> Svārstību kopējā vērtība (Trīs virzienu vektoru summa) tiek noteikta atbilstoši ISO 5349. svārstību emisijas vērtība a <sub>h</sub> Nedrošība K=	0,15 m/s <sup>2</sup> 0,05 m/s <sup>2</sup>



**⚠ UZMANĪBU! Pirms ierīces lietošanas rūpīgi izlasiet lietošanas instrukciju. Izlasiet visu drošības instrukciju un lietošanas pamācību klāt.**

Šeit sniegto drošības noteikumu un norādījumu neievērošana var izraisīt aizdegšanos un būt par cēloni elektriskajam triecienam vai nopietnam savainojumam.

**BRĪDINĀJUMS: Iekārtas lietotājam ir jābūt pietiekami informētam par iekārtas izmantošanu.**

Pēc izlasīšanas uzglabājiet šos noteikumus turpmākai izmantošanai.

**⚠ SPECIĀLIE DROŠĪBAS NOTEIKUMI PUTEKĻU SAVĀCĒJS**

Šo ierīci nedrīkst lietot personas (tajā skaitā arī bērni), kurām ir traucētas fiziskās, sensorās vai garīgās spējas vai tām nav nepieciešamās pieredzes vai speciālo zināšanu. Jo īpaši ir jāuzmanās, lai bērni šo ierīci neizmanto tu kā rotaļlietu. Bērni iekārtas tīrīšanu un apkopi nedrīkst veikt bez uzraudzības.

Šo ierīci atļauts lietot tikai citu personu uzraudzībā.

**Uguns un sprādzienbīstamība!**

Vispār nedrīkst uzsūknēt nekādas viegli degošas vai eksplozīvas ķīmiskas šķīstvielas, tādus šķidrums kā benzīnu, eļļu, alkoholu, ķīmiskos šķīdinātāus un priekšmetus (metāla skaidas, pelnus), kuru temperatūra pārsniedz 60°C; eksplozijas un ugunsgrēka iespējamība.

Instrumentu nedrīkst lietot viegli degošu gāzu un citu ķīmisko vielu tuvumā.

Sprauslu, šļūteni un cauruli nevērst pret cilvēkiem un dzīvniekiem.

Turiet matus, vaļīgu apģērbu, pirkstus un visas ķermeņa daļas atstatu no atverēm un darbigām daļām. Neievietojiet nekādus priekšmetus atverēs un nelietojiet iekārtu, ja kāda tās atvere ir aizsprostota. Uzturiet atveres tīras no putekļiem, plūksnām, matiem un jebkā cita, kas varētu samazināt gaisa plūsmu.

**UZMANĪBU!** Lai novērstu iespējamo izraisītu aizdegšanās, savainojumu vai produkta bojājuma risku, neiegremdējiet instrumentu, maināmo akumulatoru vai uzlādes ierīci šķidrums un rūpējieties par to, lai ierīces un akumulatoros neieklātu šķidrums. Korozīvu izraisīši vai vadītspējīgi šķidrums, piemēram, sālsūdens, noteiktas ķīmikālijas, balinātāji vai produkti, kas satur balinātājus, var izraisīt iespējamo izraisītu.

Akumulatorus un lādētājus nedrīkst taisyt valā un tie jāuzglabā sausās telpās.

M18 sistēmas akumulatorus lādēt tikai ar M18 sistēmas lādētājiem. Nelietojiet citu sistēmu akumulatoru pakotnes.

Pirms darba sākšanas apkalpojošais personāls ir jāinformē un jāapmāca:

- iekārtas lietojums
- ar uzsūcāmo materiālu saistītie riski
- uzsūktā materiāla droša likvidēšana

## NOTEIKUMIEM ATBILSTOŠS IZMANTOJUMS

Šis mobilais putekļu sūcējventilators ir projektēts, izstrādāts un rūpīgi pārbaudīts, lai darbotos efektīvi un droši, ja tiek pareizi uzturēts un izmantots saskaņā ar turpmāk minētajām instrukcijām.

- Šīni lietošanas instrukcija aprakstītās iekārtas ir piemērotas
- profesionālai lietošanai, piem., viesnīcās, skolās, slimnīcās, fabrikās, veikalos, birojos un nomas veikalos
- Industriālai lietošanai, piem., rūpnīcās, būvobjektos un darbnīcās.
- putekļu atdalīšanai ar ekspozīcijas robežvērtību lielāku par 1 mg/m<sup>3</sup> (putekļu klase L)

### BRĪDINĀJUMS: Šī iekārta ir piemērota tikai sausu vielu uzsūkšanai.

Ar putekļu sūcēju nedrīkst sūkt šādus materiālus:

- M un H kategorijas bīstami putekļi
- karstus materiālus (degošas cigaretes, karsti pelni utt.),
- uzliesmojošus, sprādzienbīstamus, agresīvus šķidrums (piem., benzīns, šķīdinātāji, skābes, sārmī utt.),
- uzliesmojošus, sprādzienbīstamus putekļus (piem., magnija vai alumīnija putekļi utt.).



L putekļu kategorijas iekārtām (ar tipa apzīmējumu -0L, -2L) ir spēkā sekojošais:

- Šī ierīce ir piemērota sausu, ugunsdrošu putekļu, bīstamu putekļu ar OEL (arodekspozīcijas robeža) vērtību > 1mg/m<sup>3</sup> sūkšanai.
- L putekļu kategorija (IEC 60335-2-69)
- Putekļu, kas ietilpst šajā kategorijā, OEL vērtības ir > 1mg/m<sup>3</sup>
- Iekārtām, kas ir paredzētas L putekļu kategorijai, filtra materiāls ir pārbaudīts. Maksimālais caurlaidības līmenis ir 1% un nav īpašu noteikumu tā uzturēšanai.
- Putekļu recirkulatoriem, ja izplūdes gaiss tiek atgriezts telpā, nodrošiniet atbilstošu L kategorijas gaisa apmaiņu.

Neskatot izmantošanas valsti spēkā esošās lietošanas instrukcijas un ar tām saistītos nelaimes gadījumu novēršanas noteikumus, ievērojiet arī vispārējos drošības un pareizas lietošanas noteikumus.

Negadījumus, kas radušies nepareizas lietošanas dēļ, var novērst vienīgi iekārtas lietotāji.

### IZLASIET UN IEVĒROJIET VISAS DROŠĪBAS INSTRUKCIJAS.

Jebkāds cits lietojums ir uzskatāms par neatbilstošu lietojumu. Ražotājs neuzņemas nekādu atbildību par zaudējumiem, kas radušies šāda lietojuma dēļ. Šāda lietojuma risku uzņemas tikai vienīgi pats lietotājs. Atbilstošs lietojums ietver pareizu ekspluatāciju, apkopi un remontu, kā norādījis ražotājs.

## AKUMULĀTORI

Akumulātori, kas ilgāku laiku nav izmantoti, pirms lietošanas jāuzlādē.

Pie temperatūras, kas pārsniedz 50°C, akumulātoru darbība tiek negatīvi ietekmēta. Vajag izvairīties no ilgākas saules un karstuma iedarbības.

Lādētāja un akumulātoru pievienojuma kontakti jāuztur tīri.

Lai baterijas darba ilgums būtu optimāls, pēc iekārtas izmantošanas tā jāuzlādē.

Lai akumulātoru kalpotu pēc iespējas ilgāku laiku, tos pēc uzlādes ieteicams atvienot no lādētāja ierīces.

Akumulātoru uzglabāšana ilgāk kā 30 dienas: uzglabāt akumulātoru pie aptuveni 27° C un sausā vietā. Uzglabāt akumulātoru uzlādes stāvoklī aptuveni pie 30%-50%. Uzlādēt akumulātoru visus 6 mēnešus no jauna.

Atkārtoti nelādējamas baterijas aizliegts atkārtoti lādēt.

Atkārtoti uzlādējamās baterijas pirms uzlādēšanas ir jāizņem no ierīces.

Tukšās baterijas no ierīces ir jāizņem un droši jāatbrīvojas no tām.

Ja ierīce tiek uzglabāta ilgāku laiku, tad baterijas ir jāizņem.

Savienojuma kontakti nedrīkst būt savienoti par tuvu.

## LITĪJA JONU AKUMULĀTORU TRANSPORTĒŠANA

Uz litija jonu akumulātoriem attiecas noteikumi par bīstamo kravu pārvadāšanu.

Šo akumulātoru transportēšana jāveic saskaņā ar vietējiem, valsts un starptautiskajiem normatīvajiem aktiem un noteikumiem.

Patērētāja darbības, pārvadājot šos akumulātorus pa autoceļiem, nav reglamentētas.

Uz litija jonu akumulātoru komerciālu transportēšanu, ko veic ekspedīcijas uzņēmums, attiecas bīstamo kravu pārvadāšanas noteikumi. Sagatavošanas darbus un transportēšanu drīkst veikt tikai atbilstoši apmācīts personāls. Viss process jāveda profesionāli.

Veicot akumulātoru transportēšanu, jāievēro:

Pārlicinieties, ka kontakti ir aizsargāti un izolēti, lai izvairītos no īssavienojumiem. Pārlicinieties, ka akumulātors iepakojumā nevar paslīdēt. Bojātus vai tekošus akumulātorus nedrīkst transportēt. Plašāku informāciju Jūs varat saņemt no ekspedīcijas uzņēmuma.

## AKUMULĀTORA AIZSARDZĪBA PRET PĀRSLOGOJUMU

Ja akumulātoru tiek pārslogoti ļoti liela strāvas patēriņa rezultātā, piemēram, ļoti lielos griezes momentos, iesprūstot darba rīkam, pēkšņi apstājoties vai īssavienojuma gadījumā elektroinstruments apstājas uz 2 sekundēm un pats izslēdzas.

Lai to atkal ieslēgtu, atlaidiet ieslēgšanas pogu un tad to ieslēdziet no jauna.

Esot ārkārtīgi augstam noslogojumam, akumulātors sakarst pārāk daudz. Šādā gadījumā visas uzlādes indikatora lampiņas mirgo tik ilgi, kamēr akumulātors ir atdzisis. Darbu varat turpināt, kad uzlādes indikators vairs nedeg.

Akumulātoru var ievietot lādētājā, lai to atkal uzlādētu un aktivizētu.

## DARBA NORĀDĪJUMI

Lietot ierīci tikai tad, ja tas ir nebojāts stāvoklī. Ierīci nedrīkst lietot, ja ir bojāts filtra elements.

Neizmantojiet nedrošas darba metodes.

Ievērojiet īpašu piesardzību, veicot tīrīšanu uz kāpnēm.

Atcelt filtra elementus, filtra maisi un netīrumus savākšanas maisi ar valsts tiesību aktiem.

### UZMANĪBU: Šī iekārta ir paredzēta lietošanai tikai iekštelpās.

Nodrošiniet labu ventilāciju darba vietā.

Ja iekārta nedarbojas pareizi vai ir nomesta zemē, bojāta, atstāta ārpus telpām vai iekritusi ūdenī, nododiet to apkalpošanas centrā vai izplatītājam.

## TEHNISKĀ APKOPE, TĪRĪŠANA UN LABOŠANA

Pirms mašīnai veikt jebkāda veida apkopes darbus, ir jāizņem ārā akumulātors.



Jāveic tikai eksploatācijas instrukcijā aprakstītā tehniskā apkope. Vajag vienmēr uzmanīt, lai būtu tīras dzesēšanas atveres. Demontējiet noņemamas detaļas (ieskaitot putekļu savācēju), lai veiktu to tīrīšanu.

Notīriet no iekārtas putekļus un citus gruzus. Uzturiet iekārtas rokturi tīru, sausu un netaukainu. Iekārtas tīrīšanai izmantojiet maigas ziepes un mitru lupatiņu, jo daži tīrīšanas līdzekļi un šķīdinātāji ir kaitīgi plastmasas un citām izolētām daļām. Iekārtas tuvumā nekad nelietojiet uzliesmojošus vai ugunsnedrošus šķīdinātājus.

Atkarībā no darbības stundu skaita - veiciet putekļu filtra nomaiņu. Tīriet iekārtu ar sausu drānu un nelielu tīrīšanas līdzekļa daudzumu.

Nedrīkst pieļaut ūdens uzsmidzināšanu uz putekļu sūceja augšdaļas: bīstamība cilvēkiem vai īsslēguma risks.

Lai veiktu apkopi, ierīci izjauc un iztīra, ciktāl tas iespējams bez riska apkopes veicējam un citām personām. Piemēroti drošības pasākumi ir notīrīšana pirms izjaukšanas, izplūdes ventilācijas nodrošināšana ierīces izjaukšanas vietā, apkopes vietas tīrīšana un piemērotu individuālo aizsardzības līdzekļu izmantošana.

Apkopes un remonta darbu laikā visas nepietiekami notīrāmās detaļas:

- Ievietojiet pienācīgi aizveramos maisos
- Veiciet utilizāciju atbilstoši spēkā esošajiem noteikumiem.

Regulāri lūdziet kvalificētam servisa tehnikam veikt ierīces pārbaudi. Piemēram, lūdziet pārbaudīt, vai filtri nav bojāti un pārbaudīt ierīces hermētiskumu, kā arī vai nav vadības mehānisma darbības traucējumi.

Neoriģinālo rezerves daļu, suku un piederumu izmantošana var ietekmēt ierīces drošību un/vai darbību. Izmantojiet tikai firmu Milwaukee piederumus un firmas Milwaukee rezerves daļas. Lieciet nomainīt detaļas, kuru nomaiņa nav aprakstīta, kādā no firmu Milwaukee klientu apkalpošanas servisiem. (Skat. brošūru „Garantija/klientu apkalpošanas serviss“.)

Ja nepieciešams, klientu apkalpošanas servīs vai tieši pie firmas Techtronic Industries GmbH, Max-Eyth-Straße 10, 71364 Winnenden, Germany, var pieprasīt instrumenta numurs, kas norādīts uz jaudas paneļa.

## UZGLABĀŠANA

Uzglabāt sausā un no sala aizsargātā vietā.

**UZMANĪBU: Šo iekārtu drīkst uzglabāt tikai iekšelpās.**

## ATBILSTĪBA CE NORMĀM

Mēs ar pilnu atbildību paziņojam, ka izstrādājums, kas raksturots sadaļā „Tehniskie dati“, atbilst visām attiecīgajām prasībām direktīvās

2011/65/ES (RoHS)

2006/42/EK

2014/30/ES

un ir piemēroti šādi saskaņotie standarti

EN 60335-1:2012+A11:2014+A13:2017

EN 60335-2-69:2012

EN 62233:2008

EN 55014-1:2017

EN 55014-2:2015

EN 50581:2012



Winnenden, 2018-07-04

Alexander Krug / Managing Director

Pilnvarotais tehniskās dokumentācijas sastādīšana.

Techtronic Industries GmbH

Max-Eyth-Straße 10, 71364 Winnenden, Germany



## SIMBOLI



UZMANĪBU! BĪSTAMI!



Pirms mašīnai veikt jebkāda veida apkopes darbus, ir jāizņem ārā akumulators.



Pirms sākt lietot instrumentu, lūdzu, izlasiet lietošanas pamācību.



Pirms sākt lietot instrumentu, lūdzu, izlasiet lietošanas pamācību.



Piederumi - standartaprikojumā neietvertās, bet ieteicamās papildus komplektācijas detaļas no piederumu programmas.



BRĪDINĀJUMS: Šī iekārta ir piemērota tikai sausu vielu uzsūkšanai.



Aizsardzības klase III

**V**

Spriegums



Līdzstrāva



L putekļu kategorija (IEC 60335-2-69)

Putekļu, kas ietilpst šajā kategorijā, OEL vērtības ir  $> 1\text{mg}/\text{m}^3$



Elektriskus aparātus, baterijas/akumulatorus nedrīkst izmantot kopā ar mājtsaimniecības atkritumiem.

Elektriski aparāti un akumulatori ir jāsavāc atsevišķi un jānodod atkritumu pārstrādes uzņēmumā videi saudzīgai utilizācijai. Jautājiet vietējā iestādē vai savam specializētajam tirgotājam, kur atrodas atkritumu pārstrādes uzņēmumi vai savākšanas punkti.



Eiropas atbilstības zīme



Ukrainas atbilstības zīme



Eirāzijas atbilstības zīme



TECHNINIAI DUOMENYS	M18 FBPV
<b>Nusiuurbimo sistema</b>	
Produkto numeris	4693 26 01... ... 000001-999999
Keičiamo akumulatoriaus įtampa	18 V
Įmamoji srovė	25 A
Tiekiamas galingumas	380 W
Oro srautas	1557 l/min 93 m <sup>3</sup> /h
Per mažas slėgis	18,9 kPa 189 mbar
talpa	3,8 l
Filtro tipas	HEPA H13
Prietaiso svoris įvertintas pagal EPTA 01/2014 tyrimų metodiką (Li-Ion 2,0 Ah ... 12,0 Ah)	8,43 kg ... 9,53 kg
siurbimo žarnos skersmuo	36 mm
Rekomenduojama aplinkos temperatūra eksploatuojant	-18°C ... +50°C
Rekomenduojami akumulatoriai	M18B... M18HB...
Rekomenduojami įkrovikliai	M12-18... M1418 C6
<b>Informacija apie keliamą triukšmą</b>	
Vertės matuotos pagal ISO 4871. Įvertintas A įrenginio keliamo triukšmo lygis dažniausiai sudaro:	
Garso slėgio lygis LpA (Paklaida K=2dB(A))	65 dB (A)
Garso galios lygis LWA (Paklaida K=2dB(A))	76 dB (A)
<b>Nešioti klausos apsauginės priemonės!</b>	
<b>Vibracijos informacija pagal EN 60335-2-69</b>	
Bendroji svyravimų reikšmė (trijų krypčių vektorių suma), nustatyta remiantis ISO 5349.	
Vibravimų emisijos reikšmė a <sub>w</sub>	0,15 m/s <sup>2</sup>
Paklaida K=	0,05 m/s <sup>2</sup>



**⚠ DĖMESIO!** Prieš naudodami prietaisą atidžiai perskaitykite naudojimo instrukcijas. Perskaitykite visas saugumo pastabas ir nurodymus.

Jei nepaisysite žemiau pateiktų saugos nuorodų ir reikalavimų, gali trenkti elektros smūgis, kilti gaisras ir/arba galite sunkiai susižaloti arba sužaloti kitus asmenis.

**ĮSPĖJIMAS.** Naudotojas privalo būti išsamiai instruktuosas apie prietaiso naudojimą!

**Išsaugokite šias saugos nuorodas ir reikalavimus, kad ir ateityje galėtumėte jais pasinaudoti.**

#### **⚠ YPATINGOS SAUGUMO NUORODOS NUSIURBIMO SISTEMA**

Prietaiso negali naudoti asmenys (įskaitant ir vaikus), turintys fizinių, jutimo ar protinių sutrikimų arba patirties ir žinių neturintys asmenys, nebent už jų saugumą atsakingas asmuo prižiūri ir išmoko, kaip reikia naudoti šį prietaisą. Būtina prižiūrėti vaikus, siekiant užtikrinti, kad jie nežaistų su prietaisu. Nepriziūrimi vaikai negali prietaiso valyti arba atlikti jo techninės priežiūros.

Šį prietaisą galima naudoti tik prižiūrint.

#### **Gaisro ir sprogdimo pavojus!**

Draudžiama siurbti degius ir sprogius tirpiklius, tokius skysčius kaip benzina, alyva, alkoholi, skiediklius, bei daiktus (metalo drožles, pelenus), karštesnius nei 60 °C, nes tai kelia gaisro ir sprogdimo pavojų!

Prietaisą naudoti netoli degių dujų ir medžiagų draudžiama.

Antgalio, žarnos ir vamzdžio nekreipkite į žmones ar gyvūnus.

Saugokite plaukus, palaidus drabužius, pirštus ir kitas kūno dalis, kad nepakliūtų į įrenginio angas ir judančias dalis. Nekiškite į angas jokių daiktų ir žiūrėkite, kad naudojant įrenginį jo angos nebūtų užkimštos. Prižiūrėkite angas, kad jose nesikaupytų dulksės, pūkai, plaukai ir kitos oro srautų mažinančios kliūtys.

**DĖMESIO!** Siekdami išvengti trumpojo jungimo sukeltą gaisro pavojų, sužalojimų arba produkto pažeidimų, neikiškite įrankio, keičiamo akumulatoriaus arba įkroviklio į skysčius ir pasirūpinkite, kad į prietaisus arba akumulatorius nepatektų jokių skysčių. Koroziją sukiantys arba laidūs skysčiai, pvz., sūrus vanduo, tam tikri chemikalai ir balikliai arba produktai, kurių sudėtyje yra baliklių, gali sukelti trumpąjį jungimą.

Keičiamų akumuliatorių ir įkroviklių nelaikykite atvirai. Laikykite tik sausoje vietoje. Saugokite nuo drėgmės.

Keičiamus M18 sistemos akumulatorius kraukite tik „M18“ sistemos įkrovikliais. Nenaudokite akumuliatorių komplektų iš kitų sistemų.

Prieš pradėdami darbą, operatoriai turi būti informuoti ir apmokyti:

- kaip naudoti įrenginį;
- kokių pavojų kelia medžiagos, kurios bus siurbiamos;
- kaip saugiai pašalinti susiurbtas medžiagas.

## NAUDOJIMAS PAGAL PASKIRTĮ

Šis mobilusis dulkių siurblys yra suprojektuotas, pagamintas ir gerai išbandytas, kad tinkamai prižiūrimas ir naudojamas vadovaujantis tolesnėmis instrukcijomis veiktų efektyviai ir saugiai.

- Šioje naudojimo instrukcijoje aprašytus prietaisus tinka naudoti
- pramonės srityje, pvz., viešbučiuose, mokyklose, ligoninėse, fabrikuose, parduotuvėse, biuruose ir nuomojamose patalpose
  - pramoniniams naudojimui, pvz., gamyklose, statybų aikštelėse ar dirbtuvėse.
  - siurbti dulkelms, kurių ribinė sprogtumo vertė didesnė nei  $1 \text{ mg/m}^3$  („L“ dulkių klasė)

## ISPĖJIMAS. Šį prietaisą galima naudoti tik sausomis sąlygomis.

Negalima siurbti šių medžiagų:

- pavojingos dulksės, priklausančios M ir H klasėms
- karštų medžiagų (rukstančių cigarečių, karštų pelenų ir t.t.);
- degių, sprogių ir agresyvių skysčių (pvz., benzino, tirpiklių, rūgščių, šarmų ir t.t.);
- degių, sprogių dulkių (pvz., magnio, aliuminio dulkių ir t.t.).



Dulkių klasės L įrenginiams (priskirti tipai 0 I, 2 I) taikoma:

- Prietaisai tinka sausoms, nedegioms dulksėms, taip pat – pavojingoms dulksėms, kurių OEL vertė (profesinio poveikio ribinė vertė)  $> 1 \text{ mg/m}^3$ .
- Dulkių klasė L (IEC 60335-2-69)
- Šiai klasei priklausančių dulkių vertės  $> 1 \text{ mg/m}^3$
- Įrenginių, skirtų dulkių klasei L, filtro medžiaga yra bandoma. Maksimalus skvarbos laipsnis yra 1 %, specialių šalinimo reikalavimų nėra.
- Dulkių ekstraktoriaus būtina užtikrinti pakankamą oro apykaitos dažnį L, kai ištrauktas oras grąžinamas į patalpą.

Be naudojimo instrukcijų ir eksploataavimo šalyje galiojančių nelaimingų atsitikimų prevencijos darbe aktų, laikykitės visuotinai priimtų saugumo ir tinkamo naudojimo reikalavimų.

Dėl netinkamo naudojimo įvykstantiems nelaimingoms atsitikimams užkirsti kelią gali tik įrenginio naudotojas.

## PERSKAITYKITE VISAS SAUGOS INSTRUKCIJAS IR JŲ LAIKYKITĖS.

Naudojimas bet kuriuo kitu būdu laikomas netinkamu. Gamintojas nepripisima atsakomybės už bet kokią žalą, kylančią dėl tokio naudojimo. Tokio naudojimo riziką prisiima tik pats naudotojas. Tinkamas naudojimas reiškia tinkamą valdymą, priežiūrą ir remontą, kaip nurodyta gamintojo.

## AKUMULIATORIAI

Ilgesnį laiką nenaudotus keičiamus akumulatorius prieš naudojimą įkraukite.

Aukštesnė nei 50°C temperatūra mažina keičiamų akumulatorių galią. Venkite ilgesnio saulės ar šilumos šaltinių poveikio.

Įkroviklio ir keičiamo akumulatoriaus jungiamieji kontaktai visada turi būti švarūs.

Kad prietaisas kuo ilgiau veiktų, pasinaudoję juo, iki galo įkraukite akumulatorius.

Siekiant užtikrinti kuo ilgesnį baterijos tarnavimo laiką, reikėtų ją po atlikto įkrovimo iškart išimti iš įkroviklio.

Bateriją laikant ilgiau nei 30 dienų, būtina atkreipti dėmesį į šias nuorodas: bateriją laikyti sausoje aplinkoje, esant apie 27 °C

temperatūrai. Baterijos įkrovimo lygis turi būti nuo 30% iki 50%. Baterija pakartotinai turi būti įkraunama kas 6 mėnesius.

Neįkraunami maitinimo elementai neturi būti įkraunami pakartotinai.

Prieš įkraudami iš prietaiso išimkite įkraunamąsias baterijas.

Iš prietaiso būtina išimti tuščias baterijas ir jas saugiai utilizuoti.

Jeigu prietaisas sandėliuojamas ilgesnį laiką, baterijas būtina išimti.

Draudžiamas jungties kontaktų trumpasis jungimas.

## LIČIO JONŲ AKUMULIATORIŲ PERVEŽIMAS

Ličio jonų akumulatoriams taikomos įstatyminės nuostatos dėl pavojingų krovinių pervežimų.

Šiuos akumulatorius pervežti būtina laikantis vietinių, nacionalinių ir tarptautinių direktyvų ir nuostatų.

Naudotojai šiuos akumulatorius gali naudoti savo transporte be jokių kitų sąlygų.

Už komercinį ličio jonų akumuliatorių pervežimą atsako ekspedicijos įmonė pagal nuostatas dėl pavojingų krovinių pervežimo. Pasiruošimo išsiųsti ir pervežimo darbus gali atlikti tik atitinkamai išmokyti asmenys. Visas procesas privalo būti prižiūrimas.

Pervežant akumulatorius būtina laikytis šių punktų:

Siekiant išvengti trumpųjų jungimų, įsitikinkite, kad kontaktai yra apsaugoti ir izoliuoti. Atkreipkite dėmesį, kad akumulatorius pakuotės viduje neslidinėtų. Draudžiama pervežti pažeistus arba tekancius akumulatorius. Dėl detalesnių nurodymų kreipkitės į savo ekspedicijos įmonę.

## APSAUGA NUO AKUMULIATORIAUS PERKROVOS

Jeigu akumuliatoriui tenka didelės elektros energijos sąnaudos, pavyzdžiui, ypač dideli sukimo momentai, įstatomo įrankio užstrigimas, staigus sustabdymas arba trumpasis jungimas, elektros įrankis sustabdomas 2 s ir po to pats išsijungia. Norint įrankį pakartotinai įjungti, reikia atleisti jungiklį ir vėl jį įjungti.

Esant ekstremalioms apkrovoms akumuliatorių per stipriai įkaista. Tokiu atveju visos įkrovos lempuotės mirksi taip ilgai, kol akumuliatorių atvėsta. Užgesus įkrovos rodmėnims įrankiu galima naudotis toliau.

Tada akumuliatorių reikia įkišti į kroviklį, kad jis įsikrautų ir veiktų.

## DARBO NUORODOS

Prietaisą naudokite tik jeigu jis yra nepažeistas būklės. Niekada nesuirbkite su pažeistu filtru.

Dirbkite saugiai.

Siurbdami laiptus būkite ypač atsargūs.

Pašalinti filtro elementas, filtro maišeliai ir šiukšlių maišai iš evakuacijos pagal nacionalinius teisės aktus.

## DĖMESIO! Šį prietaisą galima naudoti tik vidaus patalpose.

Gerai vėdinkite darbo vietą.

Jeį įrenginys deramai neveikia arba buvo nustumtas, sugedęs, paliktas lauke arba panardintas į vandenį, grąžinkite jį į techninės priežiūros centrą arba pardavėjui.

## PRIEŽIŪRA, VALYMAS IR REMONTAS

Prieš atlikdami bet kokius darbus įrenginyje, išimkite keičiamą akumuliatorių.



Liet



Galite atlikti tik tuos priežiūros darbus, kurie yra aprašyti naudojimo instrukcijoje.

Įrenginio vėdinimo angos visada turi būti švarios.

Atskiriamas dalis (įskaitant dulkių rinktuvą) reikia nuimti ir išvalyti.

Nuo prietaiso nuolat valykite dulkes ir nešvarumus. Rankena turi būti švari, sausa ir nesutepta alyva ar tepalu. Valymo priemonės ir tirpikliai kenkia plastmasei ir izoliuojančioms detalėms, todėl prietaisą valydami naudokite tik švelnų muilą ir drėgną pašluostę. Niekada nesinaudokite degiais tirpikliais būdami šalia prietaiso.

Dulkių filtrą reikia atnaujinti atsižvelgiant į naudojimo valandų skaičių. Įrenginį valykite sausa šluoste, galima naudoti nedidelį kiekį purškiamo poliruoklio.

Viršutinę siurblio dalį saugokite nuo aptaškymovandenių: pavojus asmenims, trumpo jungimo pavojus.

Naudotojui atliekant priežiūros darbus mašiną reikia išardyti, išvalyti ir remontuoti, jei tai daryti yra pagrįsta nesukeliant pavojaus techninės priežiūros personalui ir kitiems asmenims. Tinkamos atsargumo priemonės – tai užterštumo šalinimas prieš išardant, vietinės filtruojamos išsiurbiamosios ventiliacijos užtikrinimas patalpoje, kur mašina bus išardoma, techninės priežiūros vietos valymas ir tinkama personalo apsauga.

Atliekant techninės priežiūros ir remonto darbus, visos užterštos dalys, kurių negalima pakankamai gerai išvalyti, turi būti:

- Supakuotos gerai užsandarintuose maišeliuose
- Išmestos taip, kaip reikalauja galiojantys tokių atliekų šalinimo įstatymai.

Prietaisą turi reguliariai apžiūrėti kvalifikuotas priežiūros tarnybos technikas. Pavyzdžiui, patikrinti, ar neapgadinti filtrai, ar prietaisas yra sandarus ir ar tinkamai veikia kontrolės mechanizmas.

Naudojant neoriginalias atsargines dalis, šepetčius ir priedus, įrenginys gali tapti nesaugus ir (arba) neveikti tinkamai. Naudokite tik „Milwaukee“ priedus ir „Milwaukee“ atsargines dalis. Dalis, kurių keitimas neaprašytas, leidžiama keisti tik „Milwaukee“ klientų aptarnavimo skyriams (žr. garantiją/klientų aptarnavimo skyrių adresus brošiūroje).

Jei reikia, nurodant įrenginio tipą bei specifikacijų lentelėje esantį numerį, iš klientų aptarnavimo skyriaus arba tiesiai iš Techtronic Industries GmbH, Max-Eyth-Straße 10, 71364 Winnenden, Germany, galima užsisakyti prietaiso surinkimo brėžinius.

## SANDĖLIAVIMAS

Įrenginį laikykite sausoje vietoje plusinėje temperatūroje.

**DĖMESIO! Šį prietaisą galima laikyti tik vidaus patalpose.**

## CE ATITIKTIKIS PAREIŠKIMAS

Prisiimdami visą atsakomybę pareiškiamo, kad gaminys, aprašytas „Techniuose duomenyse“, atitinka taikomus reikalavimus, išdėstytus direktyvoje

2011/65/ES (RoHS)

2006/42/EB

2014/30/ES

ir buvo taikyti šie darnieji standartai

EN 60335-1:2012+A11:2014+A13:2017

EN 60335-2-69:2012

EN 62233:2008

EN 55014-1:2017

EN 55014-2:2015

EN 50581:2012



Winnenden, 2018-07-04

Alexander Krug / Managing Director

Įgaliotas parengti techninius dokumentus.

Techtronic Industries GmbH

Max-Eyth-Straße 10, 71364 Winnenden, Germany



## SIMBOLIAI



DĖMESIO! ĮSPĖJIMAS! PAVOJUS!



Prieš atlikdami bet kokius darbus įrenginyje, išimkite keičiamą akumuliatorių.



Prieš pradėdami dirbti su prietaisu, atidžiai perskaitykite jo naudojimo instrukciją.



Prieš pradėdami dirbti su prietaisu, atidžiai perskaitykite jo naudojimo instrukciją.



Priedas – neįeina į tiekimo komplektaciją, rekomenduojamas papildymas iš priedų asortimento.



ĮSPĖJIMAS. Šį prietaisą galima naudoti tik sausomis sąlygomis.



Apsaugos klasė III

V

Įtampa



Nuolatinė srovė



Dulkių klasė L (IEC 60335-2-69)

Šiai klasei priklausančių dulkių vertės > 1 mg/m<sup>3</sup>



Elektros prietaisų, baterijų/akumuliatorių šalinti kartu su buitinėmis atliekomis negalima. Elektros prietaisus ir akumuliatorius reikia surinkti atskirai ir atiduoti perdirbimo įmonei, kad būtų pašalinti aplinkai saugiu būdu. Vietos valdžios institucijose arba specializuotose prekybos vietose pasidomėkite apie perdirbimo ir surinkimo centrus.



Europos atitikties ženklas



Ukrainos atitikties ženklas



Eurazijos atitikties ženklas



TEHNILISED ANDMED	M18 FBPV
<b>Tolmu väljavedu</b>	
Tootmisnumber	4693 26 01... ... 000001-999999
Vahetatava aku pinge	18 V
Voolu tarbimine	25 A
Võimsustarve	380 W
Õhuvoolu maht	1557 l/min 93 m <sup>3</sup> /h
Alarõhk	18,9 kPa 189 mbar
Mahutavus	3,8 l
Filtri tüüp	HEPA H13
Kaal vastavalt EPTA-protseduurile 01/2014 (Li-Ion 2,0 Ah ... 12,0 Ah)	8,43 kg ... 9,53 kg
Imivooliku läbimõõt	36 mm
Soovituslik keskkonna temperatuur töötamiseks	-18°C ... +50°C
Soovituslikud akupakid	M18B... M18HB...
Soovituslik laadija	M12-18... M1418 C6
<b>Müra andmed</b>	
Mõõteväärtused on kindlaks tehtud vastavalt normile ISO 4871. Seadme tüüpiline hinnanguline (müratase):	
Helirõhutase LpA (Määramatus K=2dB(A))	65 dB (A)
Helivõimsuse tase LWA (Määramatus K=2dB(A))	76 dB (A)
<b>Kandke kaitseks kõrvaklappe!</b>	
<b>Vibratsioonandmed kooskõlas standardiga EN 60335-2-69</b>	
Vibratsiooni koguväärtus (kolme suuna vektorsumma) mõõdetud ISO 5349 järgi.	
Vibratsiooni emissiooni väärtus a <sub>h</sub>	0,15 m/s <sup>2</sup>
Määramatus K=	0,05 m/s <sup>2</sup>



### **⚠ TÄHELEPANU!** Enne seadme kasutamist lugege kasutusjuhend hoolikalt läbi. Lugege kõik ohutusnõuanded ja juhendid läbi.

Ohutusnõuete ja juhiste eiramise tagajärjeks võib olla elektrilöökk, tulekahju ja/või rasked vigastused.

**HOIATUS:** Kasutajat tuleb seadme kasutamisega seondult piisavalt juhendada!  
Hoidke kõik ohutusnõuded ja juhised edasiseks kasutamiseks hoolikalt alles.

### **⚠ SPETSIAALSED TURVAJUHISED TOLMU VÄLJAVEDU**

Antud seade ei sobi kasutamiseks piiratud füüsiliste, sensorsete või vaimsete võimete, puudulike kogemuste või puudulike teadmistega isikute poolt (kaasa arvatud lapsed). Täiendavalt tuleb lapsi valvata tegemaks kindlaks, et nad seadmega ei mängi. Puhastust ja hooldust ei tohi lapsed järelevalveta teostada.

Seda seadet võib kasutada üksnes järelevalve all.

### **Tulekahju- ja plahvatusoht!**

Põhimõtteliselt ei tohi imada tuleohtlikke ega plahvatusohtlikke lahusteid ning vedelikke, nagu bensiin, õli, alkohol, vedelidid, samuti ei tohi imeda osi (metall-laaste, tuhka) temperatuuriga üle 60 °C; muidu püsib plahvatus- ja tuleoht!

Seadet ei tohi kasutada süttivate gaaside ja ainete lähedal.

Ärge suunake düüsi, voolikut ega toru inimestele ega loomadele.

Hoidke juuksed, avarad riided, sõrmed ja muud kehaosad eemal avaustest ja liikuvatest osadest. Ärge pange avadesse mingeid esemeid ega kasutage masinat, kui mõni ava on blokeeritud. Hoidke avad puhtad tolmust, kiududest, juuksekarvadest ja muust, mis võiks õhuvoolu takistada.

**TÄHELEPANU!** Lühisest põhjustatud tuleohtu, vigastuste või toote kahjustuste vältimiseks ärge kastke tööriista, vahetusakut ega laadimisseadet vedelikku ning jälgige, et vedelikke ei tungiks seadmetesse ega akusse. Korrodeeruvad või elektrit juhtivad vedelikud, nagu soolvesi, teatud kemikaalid ja pleegitusained või pleegitusaineid sisaldavad tooted, võivad põhjustada lühisid.

Ärge avage vahetatavaid akusid ega laadijaid ning ladustage neid ainult kuivades ruumides. Kaitske niiskuse eest.

Laadige süsteemi M18 vahetatavaid akusid ainult süsteemi M18 laadijatega. Ärge kasutage teiste süsteemide akupakke.

Enne tööga alustamist peavad seadet kasutavatel töötajatel olema teadmised järgmistes valdkondades ja nad peavad olema saanud koolitust järgmistes valdkondades:

- masina kasutamine
- kogutava materjaliga seotud riskid
- kogutud materjali turvaline kõrvaldamine

### **KASUTAMINE VASTAVALT OTSTARBELE**

See mobiilne tolmutpuhastaja on projekteeritud, välja töötatud ja rangelt testitud efektiivselt ja ohutult töötamiseks, kui seadet hooldatakse ja kasutatakse vastavalt järgnevatele juhistele. Selles kasutusjuhendis kirjeldatud seade sobib

- tööstuslikuks kasutamiseks, näiteks hotellides, koolides, haiglates, kauplustes, büroodes ja rendiettevõtetes.
- tööstuslik kasutamine, nt tehased, ehitusobjektid ja töökojad.
- tolmu eemaldamiseks, mille ekspositsiooni piirväärtus on üle 1 mg/m<sup>3</sup> (tolmuklass L)

### HOIATUS: Antud seade sobib ainult kuivkasutuseks.

Imeda ei tohi järgmisi materjale:

- M- ja H-klassi ohtlik tolm
- kuumi materjale (hõõguvaid sigarette, kuuma tuhka jne.)
- süttivaid, plahvatusohtlikke, agressiivseid vedelikke (nt. bensiini, lahusteid, happeid, aluseid jne.)
- süttivaid, plahvatusohtlikke tolmusid (nt. magneesiumi-, alumiiniumitolmu jne.)



L-tolmuklassiga masinatele (tüübitähisega -0L, -2L) kehtib alljärgnev.

- Seade sobib kasutamiseks üksnes kuiva, mittesüttiva tolmu ning ohtliku tolmu kogumiseks, mille OEL-väärtus on > 1 mg/m<sup>3</sup>.
- L-tolmuklass (IEC 60335-2-69)
- Sellesse klassi kuuluvate tolmude OEL-väärtus on > 1 mg/m<sup>3</sup>
- L-tolmuklassi jaoks mõeldud masinate filtrimaterjal on testitud. Maksimaalne läbilaskvus on 1% ning erilisi kõrvaldusnõudeid ei ole.
- Kui heitõhk juhitakse ruumi tagasi tagage tolmurästusele piisav õhuvahetuskirius L.

Lisaks kasutusjuhendile ja kasutamisiiride kohustuslikele õnnetuste vältimise eeskirjadele tuleb järgida ka tunnustatud ohutuse ja nõuetekohase kasutuse eeskirju.

Valest kasutamisest tingitud õnnetusi saavad ära hoida ainult masina kasutajad.

### LUGEGE LÄBI KÕIK OHUTUSJUHISED JA PIDAGE NEIST KINNI.

Igasugust muud kasutatut loetakse mittenõuetekohaseks kasutuseks. Tootja ei võta sellisest kasutusest tulenevate kahjustuste puhul mingit vastutust. Sellisest kasutamisest tulenev risk lasub ainult kasutajal endal. Nõuetekohane kasutamine tähendab ka nõuetekohast käitumist, hooldamist ja parandamist, nagu on määratud tootja.

### AKUD

Pikemat aega mittekasutatud akusid laadige veel enne kasutamist.

Temperatuur üle 50 °C vähendab vahetatava aku töövoimet. Vältige pikemat soojenemist päikese või kütteseadme mõjul.

Hoidke laadija ja vahetatava aku ühenduskontaktid puhtad.

Optimaalse patarei eluea tagamiseks, pärast kasutamist lae patareiplokk täielikult.

Akud tuleks võimalikult pika kasutusea saavutamiseks pärast täislaadimist laadijast välja võtta.

Aku ladustamisele üle 30 päeva: Ladustage akut kuivas kohas u 27°C juures. Ladustage akut u 30-50% laetusseisundis. Laadige aku iga 6 kuu tagant täis.

Mittelaetavaid patareiseid ei tohi laadida.

Korduvalt laetavad patareid enne laadimist seadme eemaldada Tühjad patareid seadme eemaldada ja ohutult nendest vabaneda. Seadme pikaajalisel hoiustamisel eemaldada patareid.

Ühenduse kontakte ei tohi ühendada lähestikku

### LIITIUMIOONAKUDE TRANSPORTIMINE

Liitiumioonakud on allutatud ohtlike ainete transportimisega seonduvatele õigusaktidele.

Nende akude transportimine peab toimuma kohalikest, siseriiklikest ja rahvusvahelistest eeskirjadest ning määrustest kinni pidades.

Tarbijad tohivad neid akusid edasiste piiranguteta tänaval transportida.

Liitiumioonakude komertstransport ekspedeerimisetevõtete kaudu on allutatud ohtlike ainete transportimisega seonduvatele õigusaktidele. Tarne-ettevalmistusi ja transporti tohivad teostada eranditult vastavalt koolitatud isikud. Kogu protsessi tuleb asjatundlikult jälgida.

Akude transportimisel tuleb järgida järgmisi punkte:

Tehke kindlaks, et kontaktid on lühiste vältimiseks kaitsitud ja isoleeritud. Pöörake tähelepanu sellele, et akupakk ei saaks pakendist nihkuda. Kahjustatud või välja voolanud akusid ei tohi kasutada. Pöördege edasiste juhiste saamiseks ekspedeerimisetevõtete poole.

### AKU KOORMUSKAITSE

Kui akumulaatorid on ülekoormatud liiga suure energiakulu tõttu, näiteks, liiga suurte pöörete korral, kinnikiilunud seadme, äkilise seisumise või lühiühenduse korral instrument seiskub 2 sekundiks ja lülitub ise välja.

Uuesti sisse lülitamiseks tuleb päästik esmalt vabastada ning seejärel uuesti alla suruda.

Ülisuurel koormusel võib aku kuumeneda kõrgete temperatuurideni. Sellisel juhul vilguvad kõik laadimistulukesed kuni aku jahtumiseni. Peale laadimistulukeste kustumist võite tööd jätkata.

Aku tuleb laadimiseks ja taasaktiveerimiseks sisestada laadimisseedmesse.

### TÖÖJUHISED

Võtke seade käiku ainult kahjustamata seisundis. Ärge kasutage kunagi ilma filtrita või kahjustunud filtriga.

Ärge kasutage ohtlike töövõteteid.

Treppide puhastamisel olge eriti ettevaatlik.

Eemalda filter element, kotid ja sealt prügikotidkotid evakueerimine vastavalt siseriiklikele eeskirjadele.

### TÄHELEPANU: Antud seade sobib ainult siseruumides kasutamiseks.

Tagage töökohas piisav ventilatsioon.

Kui masin ei tööta korralikult või see on maha kukkunud, katki, õue jäänud või vette kukkunud, saatke see teeninduskeskusesse või edasimüüja juurde hooldusse.

### HOOLDUS, PUHASTAMINE JA REMONT

Enne kõiki töid masina kallal võtke vahetatav aku välja.

Läbi tohib viia ainult kasutusjuhendis kirjeldatud hooldustöid.

Hoidke masina ohutuspilud alati puhtad.

Eemaldatavad osad (sh tolmu kollektor) tuleb puhastamise ajaks eemaldada.

Pühki tolm ja praht seadme. Hoia selle käepidemed puhtad, kuivad ja õli- või rasvavabad. Seadme puhastamiseks kasuta ainult õrnat seepi ja niisket lapikest, kuna teatud puhastusvahendid ja lahustid on plastmassile ja teistele isoleeritud osadele kahjulikud. Mitte kunagi ära kasuta kergsüttivaid lahusteid seadmete juures.



Sõltuvalt töötundide arvust tuleb tolmufilter välja vahetada. Puhastage masinat kuiva lapi ja vähese koguse pihustatava poleerimisvahendiga.

Tolmuimeja ülaosa ei tohi kunagi veega pihustada: tekib ohtinimestele, lühiühenduse oht.

Kasutajapoolse hoolduse tegemiseks tuleb masin mõistlikus ulatuses lahti võtta, puhastada ja hooldada, jälgides, et hooldustöötajatele ja teistele isikutele ei tekiks ohtu. Sobivad ettevaatusabinõud on demonteerimiselne dekontamineerimine, lokaalse filtriga õhuäratõmbe olemasolu masina demonteerimise kohas, hoolduspiirkonna puhastamine ja sobivad isikukaitsevahendid.

Hooldus- ja remonditööde ajal tuleb kõik määratud osad, mida ei saa korralikult puhastada:

- pakendada korralikult suletavasse kotti,
- kõrvaldada kooskõlas selliste jätmete kohta kehtivate eskirjadega.

Seadet peab regulaarselt kontrollima kvalifitseeritud hooldustehnik. Näiteks tuleb kontrollida filtreid kahjustumist ning seadme lekkekindlust ja juhtmehhanismi korrektset tööd.

Mitteoriginiaalsete varuosade, harjade või tarvikute kasutamine võib mõjutada seadme ohutust ja/või tööd. Kasutage ainult Milwaukee tarvikuid ja Milwaukee tagavaraosi. Detailid, mille väljavahetamist pole kirjeldatud, laske välja vahetada Milwaukee klienditeeninduspunkti (vaadake brošüüri garantii / klienditeeninduste aadressid).

Vajaduse korral võite tellida seadme läbilõikejoonise, näidates ära masina tüübi ja andmesildil oleva numbr. Selleks pöörduge klienditeeninduspunkti või otse: Techtronic Industries GmbH, Max-Eyth-Straße 10, 71364 Winnenden, Germany.

## LADUSTAMINE

Hoidke seadet kuivas ja jäävaba.

**TÄHELEPANU: Antud seadet tohib ladustada ainult siseruumides.**

## EÜ VASTAVUSAVALDUS

Kinnitame oma ainuvastutusel, et „Tehniliste andmete“ all kirjeldatud toode vastab direktiivide kõigile asjakohastele sätetele

2011/65/EU (RoHS)

2006/42/EÜ

2014/30/EU

ning täidetud on järgmiste ühtlustatud standardite nõuded.

EN 60335-1:2012+A11:2014+A13:2017

EN 60335-2-69:2012

EN 62233:2008

EN 55014-1:2017

EN 55014-2:2015

EN 50581:2012



Winnenden, 2018-07-04

Alexander Krug / Managing Director

On volitatud koostama tehnilist dokumentatsiooni.

Techtronic Industries GmbH

Max-Eyth-Straße 10, 71364 Winnenden, Germany

## SÜMBOLID



ETTEVAATUST! TÄHELEPANU! OHUD!



Enne kõiki töid masina kallal võtke vahetatav aku välja.



Palun lugege enne käikulaskmist kasutusjuhend hoolikalt läbi.



Palun lugege enne käikulaskmist kasutusjuhend hoolikalt läbi.



Tarvikud - ei kuulu tarne komplekti, soovitatav täiendus on saadaval tarvikute programmis.



HOIATUS: Antud seade sobib ainult kuivkasutuseks.



Kaitseklass III



Pinge



Alalisvool



L-tolmklass (IEC 60335-2-69)

Sellesse klassi kuuluvate tolmude OEL-väärtus on > 1 mg/m<sup>3</sup>



Elektriseadmeid, patareisid/akusid ei tohi utiliseerida koos majapidamisprügiga. Elektriseadmed ja akud tuleb eraldi kokku koguda ning kõrvaldada keskkonnasõbralikul moel töötlemiskeskusesse. Küsige infot jäätmekäitlusjaamade ja kogumispunktide kohta oma kohalike ametnike või edasimüüja käest.



Euroopa vastavusmärk



Ukraina vastavusmärk



Euraasia vastavusmärk

ТЕХНИЧЕСКИЕ ДАННЫЕ	M18 FBPV
Устройство для пылеудаления	
Серийный номер изделия	4693 26 01... ... 000001-999999
Вольтаж аккумулятора	18 V
Ампер	25 A
Потребляемая мощность	380 W
Объемный расход воздуха	1557 l/min 93 m <sup>3</sup> /h
Пониженное давление	18,9 kPa 189 mbar
Объем	3,8 l
Тип фильтра	HEPA H13
Вес согласно процедуре EPTA 01/2014 (Li-Ion 2,0 Ah ... 12,0 Ah)	8,43 kg ... 9,53 kg
Диаметр шланга пылеотсоса	36 mm
Температура окружающей среды, рекомендованная для эксплуатации	-18°C ... +50°C
Рекомендованные аккумуляторные блоки	M18B... M18HB...
Рекомендованные зарядные устройства	M12-18... M1418 C6
<b>Информация по шумам</b>	
Значения замерялись в соответствии со стандартом ISO 4871. Уровень шума прибора, определенный по показателю A, обычно составляет:	
Уровень звукового давления LpA (Небезопасность K=2dB(A))	65 dB (A)
Уровень звуковой мощности LWA (Небезопасность K=2dB(A))	76 dB (A)
<b>Пользуйтесь приспособлениями для защиты слуха.</b>	
<b>Информация о вибрации согласно EN 60335-2-69</b>	
Общие значения вибрации (векторная сумма трех направлений) определены в соответствии с ISO 5349.	
Значение вибрационной эмиссии a <sub>h</sub>	0,15 m/s <sup>2</sup>
Небезопасность K=	0,05 m/s <sup>2</sup>



**⚠ ВНИМАНИЕ! Перед использованием прибора внимательно ознакомьтесь с инструкцией.**

**Ознакомьтесь со всеми указаниями по безопасности и инструкциями**

Упущения, допущенные при не соблюдении указаний и инструкций по технике безопасности, могут стать причиной электрического поражения, пожара и тяжелых травм.

**ПРЕДУПРЕЖДЕНИЕ: Пользователь должен быть в достаточной степени ознакомлен с принципами эксплуатации данного прибора!**

**Сохраняйте эти инструкции и указания для будущего использования.**

**⚠ РЕКОМЕНДАЦИИ ПО ТЕХНИКЕ БЕЗОПАСНОСТИ УСТРОЙСТВО ДЛЯ ПЫЛЕУДАЛЕНИЯ**

Данный прибор не предназначен для использования лицами (включая детей) с ограниченными физическими, сенсорными или умственными способностями или с недостаточными опытом и знаниями. Кроме того, необходимо следить за тем, чтобы дети не играли с прибором. Чистка и уход не должны производиться детьми без присмотра.

**Эксплуатация этого прибора может осуществляться только под наблюдением.**

**Опасность пожара и взрыва!**

Никогда не засасывайте в машину какие-либо воспламеняющиеся или взрывоопасные растворители или

жидкости, такие как бензин, масло, спирт, растворители или маленькие металлические кусочки или пепел, температура которых может быть выше 60°C, так как в таком случае есть вероятность взрыва или загорания!

Запрещено использование инструмента вблизи легковоспламеняющихся материалов и огнеопасных газов.

Не направляйте сопло, шланг или трубу на людей или животных.

Следует избегать попадания волос, одежды, пальцев или других частей тела в отверстия и подвижные детали устройства. Запрещено помещать какие-либо объекты в отверстия или использовать устройство с перекрытыми отверстиями. Необходимо следить, чтобы в отверстия не попадала пыль, волосы или другие объекты, способные замедлить воздушный поток.

**ВНИМАНИЕ!** Для предотвращения опасности пожара в результате короткого замыкания, травм и повреждения изделия не опускайте инструмент, сменный аккумулятор или зарядное устройство в жидкости и не допускайте попадания жидкостей внутрь устройств или аккумуляторов. Коррозийные и проводящие жидкости, такие как соленый раствор, определенные химикаты, отбеливающие средства или содержащие их продукты, могут привести к короткому замыканию.

Никогда не вскрывайте аккумуляторы или зарядные устройства и храните их только в сухих помещениях. Следите, чтобы они всегда были сухими.

Для зарядки аккумуляторов модели M18 используйте только зарядным устройством M18. Не используйте аккумуляторные батареи из других систем.

Перед началом работы персонал должен пройти инструктаж по следующим темам:

- эксплуатация устройства;
- риски, связанные с собираемым материалом;
- безопасная утилизация собранного материала

## ИСПОЛЬЗОВАНИЕ

Этот мобильный пылесос спроектирован и тщательно протестирован. Он обеспечивает стабильную и безопасную работу при условии соблюдения следующих инструкций. Приведенные в настоящем руководстве по эксплуатации пылесосы пригодны

- для использования в промышленном секторе, например: в гостиницах, школах, больницах, на фабриках, в магазинах, офисах и прокатных пунктах.
- промышленное использование, например, на заводах, на объектах строительства и в мастерских.
- для удаления пыли с предельными значениями  $> 1 \text{ мг/м}^3$  (класс пыли L).

**ПРЕДУПРЕЖДЕНИЕ: Данный прибор предназначен для использования только в сухой среде.**

Пылесосом нельзя убирать следующие материалы:

- опасная пыль, относящаяся к классам M и H
- горячие материалы (глюющие сигареты, горячую золу и т.д.)
- горючие, взрывоопасные, агрессивные жидкости (например бензин, растворители, кислоты, щелочи и т.д.)
- горючую, взрывоопасную пыль (например магниевую, алюминиевую пыль и т.д.)



Для машин, предназначенных для работы с пылью класса L (с обозначением типа -0L, -2L), применяются указанные ниже положения.

- Этот прибор пригоден для сбора сухой, не воспламеняющейся пыли, опасной пыли с ПДК  $> 1 \text{ мг/м}^3$ .
- Класс пыли L (IEC 60335-2-69)
- Пыль, относящаяся к этому классу, имеет ПДК  $> 1 \text{ мг/м}^3$ .
- Для машин, предназначенных для работы с пылью класса L, материал фильтра подвергается испытаниям. Максимальная степень проницаемости составляет 1%, особые требования к утилизации отсутствуют.
- Для пылеотделителей обеспечьте достаточную скорость воздухообмена L, если вытяжной воздух возвращается в помещение.

и местными правилами техники безопасности, необходимо соблюдать общепринятые требования по безопасности и надлежащему использованию.

Для исключения несчастных случаев требуется обеспечить надлежащую эксплуатацию устройства использующим его лицом.

**НЕОБХОДИМО ПРОЧИТАТЬ УКАЗАНИЯ ПО ТЕХНИКЕ БЕЗОПАСНОСТИ И СЛЕДОВАТЬ ИМ.**

Любое другое использование является использованием не по назначению. Производитель не несет ответственности за ущерб, возникший вследствие нецелевого использования устройства. Все риски, вытекающие из такого использования, ложатся исключительно на пользователя. Целевое использование подразумевает также надлежащую

эксплуатацию, техническое обслуживание и ремонт в соответствии с указаниями производителя.

## АККУМУЛЯТОР

Перед использованием аккумулятора, которым не пользовались некоторое время, его необходимо зарядить.

Температура свыше  $50^\circ\text{C}$  снижает работоспособность аккумуляторов. Избегайте продолжительного нагрева или прямого солнечного света (риск перегрева).

Контакты зарядного устройства и аккумуляторов должны содержаться в чистоте.

Для обеспечения оптимального срока службы аккумулятора необходимо полностью заряжать после использования прибора.

Для достижения максимально возможного срока службы аккумулятора после зарядки следует вынимать из зарядного устройства.

При хранении аккумулятора более 30 дней: Храните аккумулятор при  $27^\circ\text{C}$  в сухом месте. Храните аккумулятор с зарядом примерно 30% - 50%. Каждые 6 месяцев аккумулятор следует заряжать.

Неперезаряжаемые аккумуляторы не подлежат повторной зарядке.

Перезаряжаемые батареи перед зарядкой необходимо извлечь из устройства.

Разряженные батареи следует извлечь из устройства и утилизировать безопасным способом.

Если устройство не используется длительное время, необходимо извлечь батареи.

Соединительные контакты запрещено замыкать накоротко.

## ТРАНСПОРТИРОВКА ЛИТИЙ-ИОННЫХ АККУМУЛЯТОРОВ

Литий-ионные аккумуляторы в соответствии с предписаниями закона транспортируются как опасные грузы.

Транспортировка этих аккумуляторов должна осуществляться с соблюдением местных, национальных и международных предписаний и положений.

Эти аккумуляторы могут перевозиться по улице потребителем без дальнейших обязательств.

При коммерческой транспортировке литий-ионных аккумуляторов экспедиторскими компаниями действуют положения, касающиеся транспортировки опасных грузов. Подготовка к отправке и транспортировка должны производиться исключительно специально обученными лицами. Весь процесс должен находиться под контролем специалиста.

При транспортировке аккумуляторов необходимо соблюдать следующие пункты:

Убедитесь, что контакты защищены и изолированы во избежание короткого замыкания. Следите за тем, чтобы аккумуляторный блок не соскользнул внутри упаковки. Транспортировка поврежденных или протекающих аккумуляторов запрещена. За дополнительными указаниями обратитесь к своему экспедитору.

## ЗАЩИТА АККУМУЛЯТОРА ОТ ПЕРЕГРУЗКИ

При перегрузке аккумулятора слишком сильным током, например, вследствие слишком большого крутящего усилия, заклинивания электроинструмента, внезапной остановки или

короткого замыкания электроинструмент останавливается в течение 2 секунд и отключается самостоятельно.

Для повторного включения следует отжать кнопку включения и потом снова включить.

При слишком высоких нагрузках аккумулятор перегревается. В этом случае загораются все лампы индикатора заряда аккумулятора. Когда аккумулятор остынет и лампы погаснут – можно продолжать

Чтобы снова зарядить и активировать аккумулятор, подключите его к зарядному устройству.

## УКАЗАНИЯ ПО РАБОТЕ

Использовать прибор только если он находится в сохранности. Запрещается использовать пылесос без фильтра, а также если фильтр поврежден.

Разрешается применять только безопасные методы работы.

Требуется особая осторожность при очистке лестницы.

Отработанные Фильтрующий элемент, Мешки-фильтры и Мешки для мусора утилизируются в соответствии с национальными правилами.

## ВНИМАНИЕ: Данный прибор предназначен для использования исключительно в помещениях.

Необходимо обеспечить хорошую вентиляцию рабочего места.

Если устройство не работает надлежащим образом, было уронено, повреждено, находилось вне помещения или погружено в воду, следует обратиться в техническую службу или к дилеру.

## ТЕХНИЧЕСКОЕ ОБСЛУЖИВАНИЕ, УБОРКА И РЕМОНТ

Выньте аккумулятор из машины перед проведением с ней каких-либо манипуляций.

Находящиеся под напряжением детали в верхней части пылесоса.

Всегда держите охлаждающие отверстия чистыми.

Отсоединяемые детали (включая пылесборник) необходимо снимать для очистки.

Удаляйте пыль и грязь с прибора. Рукоятку держите чистой, сухой, а также очищенной от масла и смазки. Чистящие средства и растворители повреждают пластик и другие изолирующие детали, поэтому прибор следует очищать только мылом и влажной тряпкой. Никогда не используйте горючие растворители поблизости от прибора.

Пылевой фильтр необходимо заменять в зависимости от количества рабочих часов. Очищайте машину сухой тканью с небольшим количеством спрея для полировки.

Ни в коем случае не мыть верхнюю часть пылесоса струей воды. Опасность для человека, риск короткого замыкания.

Для проведения пользовательского обслуживания устройство следует разобрать, очистить и обслужить в разумно необходимых пределах, не причиняя риска обслуживающему персоналу и другим лицам. К соответствующим мерам предосторожности относятся: очистка устройства перед его демонтажом, обеспечение наличия вытяжной вентиляции в месте демонтажа, уборка зоны техобслуживания и принятие мер индивидуальной защиты.

Во время технического обслуживания и ремонта все загрязненные детали, которые невозможно очистить надлежащим образом, необходимо:

- упаковать в надлежащим образом герметизированные пакеты;

- утилизировать надлежащим образом согласно действующим нормам по утилизации таких отходов.

Прибор должен проходить регулярный осмотр квалифицированным специалистом по обслуживанию. Например, проверяйте фильтры на наличие повреждений, проверяйте воздухопроницаемость прибора и надлежащую работу механизма управления.

Использование неоригинальных запасных частей, щётки и дополнительных принадлежностей может негативно сказаться на безопасности и функциях оборудования. Пользуйтесь аксессуарами и запасными частями Milwaukee. В случае возникновения необходимости в замене, которая не была описана, обращайтесь в один из сервисных центров по обслуживанию электроинструментов Milwaukee (см. список сервисных организаций).

При необходимости может быть заказан чертеж инструмента с трехмерным изображением деталей. Пожалуйста, укажите номер и тип инструмента и закажите чертеж у Ваших местных агентов или непосредственно у Techtronic Industries GmbH, Max-Eyth-Straße 10, 71364 Winnenden, Germany.

## ХРАНЕНИЕ

Хранить машину в сухом и защищенном от мороза месте.

**ВНИМАНИЕ: Прибор разрешается хранить только в сухих помещениях.**

## ДЕКЛАРАЦИЯ О СООТВЕТВИИ СТАНДАРТАМ ЕС

Мы несем исключительную ответственность за то, что изделие, описанное в разделе «Техническая информация» соответствует всем применимым положениям директив

2011/65/EU (RoHS)

2006/42/EC

2014/30/EU

а также следующим согласованным стандартам

EN 60335-1:2012+A11:2014+A13:2017

EN 60335-2-69:2012

EN 62233:2008

EN 55014-1:2017

EN 55014-2:2015

EN 50581:2012



Winnenden, 2018-07-04

Alexander Krug / Managing Director

Уполномочен на составление технической документации.

Techtronic Industries GmbH

Max-Eyth-Straße 10, 71364 Winnenden, Germany



РУС



## СИМВОЛЫ



ВНИМАНИЕ! ПРЕДУПРЕЖДЕНИЕ! ОПАСНОСТЬ!



Выньте аккумулятор из машины перед проведением с ней каких-либо манипуляций.



Пожалуйста, внимательно прочтите инструкцию по использованию перед началом любых операций с инструментом.



Пожалуйста, внимательно прочтите инструкцию по использованию перед началом любых операций с инструментом.



Принадлежности - В стандартную комплектацию не входит, поставляется в качестве дополнительной принадлежности.



ПРЕДУПРЕЖДЕНИЕ: Данный прибор предназначен для использования только в сухой среде.



Класс защиты III



Вольт пост. тока



Постоянный ток



Класс пыли L (IEC 60335-2-69)

Пыль, относящаяся к этому классу, имеет ПДК > 1 мг/м<sup>3</sup>.



Электроприборы, батареи/аккумуляторы запрещено утилизировать вместе с бытовым мусором. Электрические приборы и аккумуляторы следует собирать отдельно и сдавать в специализированную компанию для утилизации в соответствии с нормами охраны окружающей среды. Получите в местных органах власти или у вашего специализированного дилера сведения о центрах вторичной переработки и пунктах сбора.



Европейский знак соответствия



Украинский знак соответствия



Евразийский знак соответствия

## Транспортировка:

Категорически не допускается падение и любые механические воздействия на упаковку при транспортировке. При разгрузке/погрузке не допускается использование любого вида техники, работающей по принципу зажима упаковки.

## Хранение:

Необходимо хранить в сухом месте. Необходимо хранить вдали от источников повышенных температур и воздействия солнечных лучей. При хранении необходимо избегать резкого перепада температур. Хранение без упаковки не допускается.

## Срок службы изделия:

Срок службы изделия составляет 5 лет. Не рекомендуется к эксплуатации по истечении 5 лет хранения с даты изготовления без предварительной проверки.

## Дата изготовления (код даты)

отштампован на поверхности корпуса изделия.

Пример:

A2015, где 2015 - год изготовления

A – месяц изготовления

Определить месяц изготовления можно согласно приведенной ниже таблице.

A - Январь	G - Июль
B - Февраль	H - Август
C - Март	J - Сентябрь
D - Апрель	K - Октябрь
E - Май	L - Ноябрь
F - Июнь	M - Декабрь

Тектроник Индастриз ГмбХ  
Германия, 71364, Винненден,  
ул. Макс-Ай-Штрассе, 10  
Сделано в КНР

ТЕХНИЧЕСКИ ДАННИ Прахоулавителна система	M18 FBPV
Производствен номер	4693 26 01... ... 000001-999999
Напрежение на акумулатора	18 V
Консумация на ток	25 A
Консумирана мощност	380 W
Обем на въздушната струя	1557 l/min 93 m <sup>3</sup> /h
Вакуум	18,9 kPa 189 mbar
Вместимост	3,8 l
Тип филтър	HEPA H13
Тегло съгласно процедурата EPTA 01/2014 (Li-Ion 2,0 Ah ... 12,0 Ah)	8,43 kg ... 9,53 kg
Диаметър на смукателния маркуч	36 mm
Препоръчителна температура на околната среда при експлоатация	-18°C ... +50°C
Препоръчителни акумулаторни батерии	M18B... M18HB...
Препоръчителни зарядни устройства	M12-18... M1418 C6
<b>Информация за шума</b> Измерените стойности са получени съобразно ISO 4871. Оцененото с A ниво на шума на уреда е съответно: Равнище на звуковото налягане LpA (Несигурност K=2dB(A)) Равнище на мощността на звука LWA (Несигурност K=2dB(A))	65 dB (A) 76 dB (A)
<b>Да се носи предпазно средство за слуха!</b>	
<b>Информация за вибрациите съгласно EN 60335-2-69</b> Общите стойности на вибрациите (векторна сума на три посоки) са определени в съответствие с ISO 5349. Стойности на емисии на вибрациите a <sub>h</sub> Несигурност K=	0,15 m/s <sup>2</sup> 0,05 m/s <sup>2</sup>



**БЪЛ**

**⚠ ВНИМАНИЕ!** Преди да използвате уреда, внимателно прочетете ръководството. Прочетете указанията за безопасност и съветите. Пропуски при спазването на указанията и на инструкциите за безопасност могат да доведат до токов удар, пожар и/или тежки наранявания.

**ПРЕДУПРЕЖДЕНИЕ:** Операторът трябва да бъде подходящо обучен за употребата на уреда. Запазете всички указания и инструкции за безопасност за бъдещето.

#### **⚠ СПЕЦИАЛНИ УКАЗАНИЯ ЗА БЕЗОПАСНОСТ ПРАХОУЛАВИТЕЛНА СИСТЕМА**

Този уред не е подходящ за употреба от лица (включително деца) с намалени физически, сетивни или умствени способности, или от лица без опит или познания. Децата трябва също да бъдат наблюдавани, за да се гарантира, че те няма да си играят с уреда. Поцистване и поддържане не трябва да се извършва от деца без наблюдение.

Този уред може да бъде използван само под надзор.

#### **Огън и опасност от експлозия!**

По принцип не бива да се засмукват горими или избухливи разтворители, течности като бензин, масло, алкохол, разредител и дребни части (метални стружки, пепел) с температура над 60 °C; има опасност от избухване и пожар!

Уредът да не се използва близо до възпламеними газове и вещества.

Не насочвайте дюзата, маркуча или тръбата към хора или животни.

Пазете косата, свободните дрехи, пръстите и всички части на тялото далеч от отвори и движещи се части. Не поставяйте предмети в отворите и не използвайте уреда с блокирани отвори. Пазете отворите от прах, мъх, косми и други предмети, които биха намалили силата на въздушния поток.

**ВНИМАНИЕ!** За да избегнете опасността от пожар, предизвикана от късо съединение, както и нараняванията и повредите на продукта, не потапяйте инструмента, сменяемата акумулаторна батерия или зарядното устройство в течности и се погрижете в уредите и акумулаторните батерии да не попадат течности. Течностите, предизвикващи корозия или провеждащи електричество, като солена вода, определени химикали, изелващи вещества или продукти, съдържащи изелващи вещества, могат да предизвикат късо съединение.

Не отваряйте акумулатори и зарядни устройства и ги съхранявайте само в сухи помещения. Пазете ги от влага.

Акумулатори от системата M18 да се зареждат само със зарядни устройства от системата M18 laden. Не използвайте батерии от други системи.

Преди работа операторите трябва да бъдат информирани и обучени във връзка с:

- употребата на машината;
- рискове, свързани с материалите, които се събират;
- безопасно извървяне на събраната материя.

**български**

## ИЗПОЛЗВАНЕ ПО ПРЕДНАЗНАЧЕНИЕ

Този мобилен уред за събиране на прах е предназначен, разработен и интензивно тестван за ефикасна и безопасна експлоатация при правилна поддръжка и употреба в съответствие със следните инструкции.

Описаните в това ръководство за експлоатация уреди са подходящи за

- промишлена употреба, например в хотели, училища, болници, фабрики, магазини, офиси и др. подобни помещения.
- промишлена употреба, напр. заводи, строителни обекти и работилници;
- за отделяне на прах с експозиционна гранична стойност по-голяма от  $1 \text{ mg/m}^3$  (клас на чистота L).

### ПРЕДУПРЕЖДЕНИЕ: Този уред е подходящ само за използване на сухо.

Не трябва да бъдат засмуквани следните видове материали:

- опасни прахове от клас M или H;
- горещи материали (запалени цигари, гореща пепел и др.)
- горими, експлозивни, агресивни течности (например бензин, разреждател, киселини, соли и др.)
- горими, експлозивни прахообразни вещества (например магнезиев, алуминиев прах и др.)



БЪЛ

За машини за прах от клас L (с типове обозначение -0L, -2L) важи следното:

- Уредът е подходящ за събиране на сух, невъзпламеним прах и на опасни прахове със стойност по OEL  $> 1 \text{ mg/m}^3$ .
- Прахов клас L (IEC 60335-2-69)
- Праховете, които спадат към този клас, имат стойности по OEL  $> 1 \text{ mg/m}^3$ .
- За машини, предназначени за прахов клас L, се извършва изпитване на материала на филтъра. Максималната степен на пропускливост е 1%, като не съществува специално изискване за извършването им.
- За уреди за извличане на прах подсигурете достатъчна степен L на въздухообмен, когато изпусканият въздух се връща в стаята.

Освен работните инструкции и съответните разпоредби за предпазване от нещастни случаи, валидни за съответната страна, спазвайте признатите разпоредби за безопасност и правилна употреба.

Нещастни случаи, причинени от неправилна употреба на машината, могат да се избегнат само от тези, които го ползват.

### ПРОЧЕТЕТЕ И СПАЗВАЙТЕ ИНСТРУКЦИИТЕ ЗА БЕЗОПАСНОСТ.

Всяка друга употреба се счита за неправилна. Производителът не носи отговорност за вреди, причинени от подобна употреба. Рискът в такива случаи се поема единствено от клиента. Правилната употреба включва правилна експлоатация, обслужване и ремонт съгласно изискванията на производителя.

## АКУМУЛАТОРИ

Акумулатори, които не са ползвани по-дълго време, преди употреба да се дозаредят.

Температура над  $50^\circ\text{C}$  намалява мощността на акумулатора. Да се избягва по-продължително нагряване на слънце или от отопление.

Поддържайте чисти присъединителните контакти на зарядното устройство и на акумулатора.

За оптимална продължителност на живот след употреба батериите трябва да се заредят напълно.

За възможно по-дълга продължителност на живот батериите трябва да се изваждат от уреда след зареждане.

При съхранение на батериите за повече от 30 дни: съхранявайте батерията при прилб.  $27^\circ\text{C}$  и на сухо място. Съхранявайте батерията при 30 до 50 % от заряда. Зареждайте батерията на всеки 6 месеца.

Незареждащите се (неакумулаторните) батерии не бива да бъдат зареждани.

Акумулаторни батерии трябва да бъдат отстранени от уреда преди да бъдат заредени.

Изтощени батерии трябва да бъдат отстранени от уреда и изхвърлени по безопасен начин.

Ако уредът се съхранява дълго време неизползван, батериите трябва да бъдат отстранени.

Забранено е клемите на захранването да бъдат свързвани накъсо.

## ПРЕВОЗ НА ЛИТЪЕВО-ЙОННИ БАТЕРИИ

Литиево-йонните батерии са предмет на законите разпоредби за превоз на опасни товари.

Превозът на тези батерии трябва да се извършва в съответствие с местните, националните и международните разпоредби и регламенти.

Потребителите могат да превозват тези батерии по пътя без допълнителни изисквания.

Превозът на литиево-йонни батерии от транспортни компании е предмет на законите разпоредби за превоз на опасни товари. Подготовката на превоза и самият превоз трябва да се извършват само от обучени лица. Целият процес трябва да е под професионален надзор.

Спазвайте следните изисквания при превоз на батерии:

Уверете се, че контактите са защитени и изолирани, за да се избегне късо съединение. Уверете се, че няма опасност от разместване на батерията в опаковката. Не превозвайте повредени батерии или такива с течове. Обърнете се към Вашата транспортна компания за допълнителни инструкции.

## ЗАЩИТА ОТ ПРЕТОВАРВАНЕ НА БАТЕРИЯТА

Електроинструментът спира за 2 секунди и се изключва автоматично при претоварване на батерията чрез много висока консумация на енергия, причинена например от изключително висок въртящ момент, заклиняване на работния инструмент, внезапно спиране или късо съединение. За да го включите повторно, освободете превключвателя и след това включете уреда.

При екстремни натоварвания батерията се нагрява значително. В този случай всички светлини на индикатора за зареждане мигат дотогава, докато батерията се охлади. След изгасване на индикатора за зареждане можете да продължите работата с уреда.

Тогава акумулаторът да се включи към зарядното устройство, за да се дозареди и активира.

## УКАЗАНИЯ ЗА РАБОТА

Използвайте уреда само, ако той е в изправно състояние. Никога не използвайте прахосмукачката ако филтърът е повреден или липсва.

Не използвайте опасни техники за работа.

Бъдете изключително внимателни, когато почиствате стълби.

Извършете филтърни елементи, филтърни чували и Чували за отпадъци съгласно национални- те разпоредби.

**ВНИМАНИЕ: Този уред е подходящ само за употреба в закрити помещения.**

Осигурете добра вентилация на работното място.

Ако машината не работи правилно или е била изпускана, повредена, оставена на открито или потапяна във вода, върнете я в сервизен център или търговски обект.

## ПОДДРЪЖКА, ПОЧИСТВАНЕ И РЕМОТ

Преди започване на каквито е да работи по машината извадете акумулатора.

Изпълнете само поддържаща работа, които са описани в тази информация.

Вентилационните шлици на машината да се поддържат винаги чисти.

Частите, които могат да се откачат (включително прахоуловителя), трябва да бъдат откачани и почиствани.

Винаги отстранявайте праха и мърсотията от уреда. Дръжте ръкохватката чиста, суха и обезмазнена. Почистващите средства и разредителите са вредни за пластмасите и другите изолиращи части, затова почиствайте уреда само с мек сапун и кърпа. Никога не използвайте горящи разредители в близост до уреда.

Филтърът за прах трябва да бъде подменян в зависимост от броя часове на работа. Подсушавайте машината със суха кърпа и малко количество спрей за полиране.

Да не се води в горната част на сукциоопасност за хората: риск от късо съединение.

За обслужване от страна на потребителя, уредът трябва да бъде разглобен и обслужен по възможно най-практичен начин, без да се създават рискове за обслужващия персонал и други лица. Подходящите предпазни мерки включват: почистване на уреда, осигуряване на локална смукателна вентилация с филтрация в помещението, в което ще се разглобява уредът, почистване на мястото, на което ще се извършва поддръжката, както и използване на подходящи защитни средства от страна на персонала.

По време на дейности по поддръжка или ремонт всички замърсени части, които не могат да бъдат почиствени по задоволителен начин, трябва да:

- бъдат опаковани в добре запечатани торбички;
- се извърлят по начин, съответстващ на разпоредбите за извърлянето на този тип отпадък.

Уредът трябва да бъде проверяван редовно от квалифициран сервизен техник. Например проверявайте филтрите за повреда и дали уредът е плътно затворен, както и дали механизмът за управление работи както трябва.

Използването на неоригинални резервни части, четки и принадлежности може да наруши безопасността или функционирането на уреда. Да се използват само аксесоари на Milwaukee и резервни части на Milwaukee. Елементи, чията

подмяна не е описана, да се дадат за подмяна в сервиз на Milwaukee (вижте брошурата „Гаранция и адреси на сервизи). При необходимост можете да поискате за уреда от Вашия сервиз или директно от Techtronic Industries GmbH, Max-Eyth-Straße 10, 71364 Winnenden, Germany, чертеж за в случай на експлозия, като посочите типа на машината и номер върху заводската табелка.

## СЪХРАНЕНИЕ

Съхранявайте уреда сух и защитен от замръзване.

**ВНИМАНИЕ: Този уред може да се съхранява само в закрити помещения.**

## СЕ - ДЕКЛАРАЦИЯ ЗА СЪОТВЕТСТВИЕ

Ние декларираме, изцяло на наша отговорност, че продуктът, описан в „Технически данни“, съответства на всички необходими изисквания на директивите

2011/65/EC (RoHS)

2006/42/EO

2014/30/EC

и че са използвани следните хармонизирани стандарти

EN 60335-1:2012+A11:2014+A13:2017

EN 60335-2-69:2012

EN 62233:2008

EN 55014-1:2017

EN 55014-2:2015

EN 50581:2012



Winnenden, 2018-07-04

Alexander Krug / Managing Director

Упълномощен за съставяне на техническата документация

Techtronic Industries GmbH

Max-Eyth-Straße 10, 71364 Winnenden, Germany



БЪЛ

## СИМВОЛИ



ВНИМАНИЕ! ПРЕДУПРЕЖДЕНИЕ! ОПАСНОСТ



Преди започване на каквито е да е работи по машината извадете акумулатора.



Преди пускане на уреда в действие моля прочетете внимателно инструкцията за използване.



Преди пускане на уреда в действие моля прочетете внимателно инструкцията за използване.



Акcesoари - Не се съдържат в обема на доставката, препоръчвано допълнение от програмата за акcesoари.



ПРЕДУПРЕЖДЕНИЕ: Този уред е подходящ само за използване на сухо.



Предпазно стъкло III



Напрежение



Постоянен ток



Прахов клас I (IEC 60335-2-69)

Праховете, които спадат към този клас, имат стойности по OEL > 1 mg/m<sup>3</sup>.



Електрическите уреди, батерии/акумулаторни батерии не трябва да се изхвърлят заедно с битовите отпадъци. Електрическите уреди и акумулаторни батерии трябва да се събират отделно и да се предават на службите за рециклиране на отпадъците според изискванията за опазване на околната среда. Информирайте се при местните служби или при местните специализирани търговци относно местата за събиране и центровете за рециклиране на отпадъци.



Европейски знак за съответствие



Украински знак за съответствие



Евро-азиатски знак за съответствие



DATE TEHNICE Aspirator industrial	M18 FBPV
Număr producție	4693 26 01... ... 000001-999999
Tensiune acumulator	18 V
Amp.	25 A
Consumul de putere	380 W
Debit de aer	1557 l/min 93 m <sup>3</sup> /h
Subpresiune	18,9 kPa 189 mbar
Capacitate	3,8 l
Tipul de filtru	HEPA H13
Greutatea conform „EPTA procedure 01/2014” (Li-Ion 2,0 Ah ... 12,0 Ah)	8,43 kg ... 9,53 kg
Diametru furtun aspirare.	36 mm
Temperatură ambientală recomandată pentru funcționare	-18°C ... +50°C
Seturi de baterii recomandate	M18B... M18HB...
Încărcător de baterii recomandat	M12-18... M1418 C6
<b>Informație privind zgomotul</b> Valori măsurate determinate conform ISO 4871. Nivelul de zgomot evaluat cu A al aparatului este tipic de:	
Nivelul presiunii sonore LpA (Nesiguranță K=2dB(A))	65 dB (A)
Nivelul sunetului LWA (Nesiguranță K=2dB(A))	76 dB (A)
<b>Purtați căști de protecție</b>	
<b>Informații privind vibrația conform EN 60335-2-69</b> Valorile totale de oscilație (suma vectorial pe trei direcții) determinate conform normei ISO 5349.	
Valoarea emisie de oscilații a <sub>h</sub> Nesiguranță K=	0,15 m/s <sup>2</sup> 0,05 m/s <sup>2</sup>



**⚠️ AVERTISMENT! A se citi cu atenție manualul de instrucțiuni înainte de utilizarea aparatului. Citiți toate avizele de siguranță și indicațiile.**

Nerespectarea indicațiilor de avertizare și a instrucțiunilor poate provoca electrocutare, incendii și/sau răniri grave.

**AVERTIZARE: Utilizatorul trebuie suficient de bine instruit cu privire la utilizarea aparatului!  
Păstrați toate indicațiile de avertizare și instrucțiunile în vederea utilizărilor viitoare.**

**⚠️ INSTRUCȚIUNI DE SECURITATE ASPIRATOR INDUSTRIAL**

**Acest aparat nu este indicat pentru a fi folosit de persoane (inclusiv de copii) cu capacități fizice, senzoriale și mentale reduse sau care nu au experiență, respectiv cunoștințe de specialitate. Copiii trebuie de asemenea supravegheați pentru a fi siguri că nu se joacă cu aparatul. Curățarea și întreținerea curentă efectuată de utilizator nu sunt permise copiilor fără supraveghere.**

**Acest aparat poate fi operat numai sub supraveghere.**

**De incendiu și pericol de explozie!**

Nu aspirați niciodată în aparat solvenți inflamabili sau explozivi, sau lichide ca petrol, ulei, alcool, diluanți sau particule mici (pilulitură metalică sau cenușă) care pot fi mai calde decât 60°C - în caz contrar apare pericolul de explozie sau incendiu.

Nu se permite utilizarea aparatului în vecinătatea gazelor sau substanțelor inflamabile.

Nu îndreptați duza, furtunul sau tubul spre oameni sau animale.

Țineți părul, hainele largi, degetele și toate părțile corpului la distanță de deschiderile și piesele în mișcare. Nu introduceți niciun obiect în deschideri și nu utilizați cu deschiderea blocată. Deschiderile trebuie să fie protejate de praf, scame, păr și orice obiect care poate reduce debitul de aer.

**AVERTISMENT!** Pentru a reduce pericolul unui incendiu și evitarea rănirilor sau deteriorarea produsului în urma unui scurtcircuit nu imersați scula, acumulatorul de schimb sau încărcătorul în lichide și asigurați-vă să nu pătrundă lichide în aparate și acumulatori. Lichidele corosive sau cu conductibilitate, precum apa sărată, anumite substanțe chimice și înălbitori sau produse ce conțin înălbitori, pot provoca un scurtcircuit.

Nu deschideți niciodată acumulatorii și încărcătoarele și pastrați-le numai în încăperi uscate. Pastrați-le întotdeauna uscate.

Folosiți numai încărcătoare System M18 pentru încărcarea acumulatorilor System M18. A nu se utiliza ansambluri de baterii de la alte sisteme.

nainte de a începe lucrul, personalul care va utiliza aparatul trebuie informat și instruit cu privire la:

- utilizarea mașinii
- riscul asociat cu materialul extras
- eliminarea în siguranță a materialului extras

## CONDIȚII DE UTILIZARE SPECIFICATE

Acest extractor de praf mobil este conceput, dezvoltat și testat riguros pentru a funcționa eficient și sigur, atunci când este întreținut și utilizat în mod corect, în conformitate cu instrucțiunile următoare.

Aparatele descrise în aceste instrucțiuni de funcționare sunt adecvate

- pentru utilizarea profesională, de ex. în hoteluri, școli, spitale, fabrici, magazine, birouri și unități comerciale închiriate.
- utilizarea industrială, cum ar fi de ex. instalații, șantiere de construcție și ateliere.
- pentru separarea de praf cu o valoare limită de expunere mai mare de  $1 \text{ mg/m}^3$  (clasa de praf L).

**AVERTIZARE: Acest aparat este indicat doar pentru utilizare uscată.**

Următoarele materiale nu au voie să fie aspirate:

- pulberilor periculoase, care fac parte din clasa M și H
- materiale fierbinți (tigări care ard moctit, cenușă fierbinte, etc.)
- lichide inflamabile, explozive, agresive (de ex. benzină, solvenți, acizi, baze, etc.)
- tipuri de praf inflamabile, explozive (de ex. praf de magneziu, praf de aluminiu, etc.)



În cazul mașinilor pentru pulberi periculoase din clasa L (cu denumirea tipului -0L, -2L) se aplică următoarele:

- Acest aparat este adecvat pentru aspirarea de prafuri uscate, prafuri neinflamabile, prafuri periculoase cu o valoare LEP >  $1 \text{ mg/m}^3$ .
- Praful clasa L (IEC 60335-2-69)
- Prafurile ce aparțin acestei clase, au o valori LEP >  $1 \text{ mg/m}^3$
- În cazul mașinilor destinate clasei de praf L, materialul filtrului este testat. Gradul maxim de permeabilitate este de 1% și nu există cerințe speciale privind eliminarea acestuia.
- În cazul extractoarelor de praf, trebuie asigurată o rată a schimbului de aer L, atunci când extractorul de praf este readus în cameră.

Pe lângă instrucțiunile de utilizare și regulamentele privind prevenirea accidentelor, în vigoare în țara în care este utilizat aparatul, respectați, de asemenea, regulamentele stabilite privind utilizarea corespunzătoare și în condiții de siguranță a aparatului.

Accidentele cauzate de utilizarea necorespunzătoare pot fi prevenite doar de cei care utilizează mașina.

**CITIȚI ȘI RESPECTAȚI TOATE INSTRUCȚIUNILE DE SIGURANȚĂ.**

Utilizarea aparatului în orice alt scop este considerată utilizare necorespunzătoare. Producătorul nu își asumă responsabilitatea pentru daunele rezultate în urma unei astfel de utilizări. Responsabilitatea utilizării necorespunzătoare a aparatului revine exclusiv utilizatorului. Utilizarea corespunzătoare presupune și acționarea corespunzătoare, precum și efectuarea operațiunilor de întreținere și reparații specificate de producător.

## ACUMULATORI

Acumulatorii care nu au fost utilizați o perioadă de timp trebuie reîncărcați înainte de utilizare

Temperatura mai mare de  $50^\circ\text{C}$  ( $122^\circ\text{F}$ ) reduce performanța acumulatorului. Evitați expunerea prelungită la căldură sau radiație solară (risca de supraîncălzire)

Contactele încărcătoarelor și acumulatorilor trebuie păstrate curate.

În scopul optimizării duratei de funcționare, bateriile trebuie reîncărcate complet după utilizare.

Pentru o durată de viață cât mai lungă, acumulatorii ar trebui scoși din încărcător după încărcare.

La depozitarea acumulatorilor mai mult de 30 zile: Acumulatorii se depozitează la cca.  $27^\circ\text{C}$  și la loc uscat. Acumulatorii se depozitează la nivelul de încărcare de cca. 30%-50%. Acumulatorii se încarcă din nou la fiecare 6 luni.

A nu se reîncarca bateriile care nu sunt reîncărcabile.

Bateriile reîncărcabile trebuie scoase din aparat înainte de încărcare.

Bateriile goale trebuie scoase din aparat și eliminate în siguranță.

Dacă aparatul se depozitează un timp mai îndelungat, bateriile trebuie scoase.

Contactele de conectare nu au voie să fie scurtcircuitate.

## TRANSPORTUL ACUMULATORILOR CU IONI DE LITIU

Acumulatorii cu ioni de litiu cad sub incidența prescripțiilor legale pentru transportul de mărfuri periculoase.

Transportul acestor acumulatori trebuie să se efectueze cu respectarea prescripțiilor și reglementărilor pe plan local, național și internațional.

Consumatorilor le este permis transportul rutier nerestricționat al acestui tip de acumulatori.

Transportul comercial al acumulatorilor cu ioni de litiu prin intermediul firmelor de expediție și transport este supus reglementărilor transportului de mărfuri periculoase. Pregătirile pentru expediție și transportul au voie să fie efectuate numai de către personal instruit corespunzător. Întregul proces trebuie asistat în mod competent.

Următoarele puncte trebuie avute în vedere la transportul acumulatorilor:

Pentru a se evita scurtcircuite, asigurați-vă de faptul că sunt protejate și izolate contactele. Aveți grijă ca pachetul de acumulatori să nu poată aluneca în altă poziție în interiorul ambalajului său. Este interzis transportarea unor acumulatori deteriorați sau care pierd lichid. Pentru indicații suplimentare adresați-vă firmei de expediție și transport cu care colaborați.

## PROTECȚIE SUPRAÎNCĂRCARE ACUMULATOR

În caz de suprasarcină a acumulatorului prin consum foarte mare de curent, de ex. ca urmare a unor momente de rotație extreme, înțepenirea sculei inserate, stop bruscat sau scurtcircuit, scula electrică se oprește pentru 2 secunde și se deconectează de la sine. Pentru reconectare dați drumul întrerupătorului și conectați din nou.

În cazul unor sarcini extreme, acumulatorul se încinge prea tare. În acest caz toate lămpile indicației stării de încărcare pâlpâie până când acumulatorul s-a răcit. După ce indicația stării de încărcare s-a stins se poate lucra mai departe.

Pentru a-l reîncărca și activa, puneți acumulatorul în în aparatul de încărcare.

## INDICAȚII DE LUCRU

Punerea în funcțiune este permisă numai dacă starea tehnică este în ordine. Aspirarea fără filtru sau cu filtrul deteriorat este interzisă.

Nu folosiți tehnici de lucru nesigure.

Curățați scările cu foarte mare atenție.

Se îndepărtează de elemente de filtrare, saci de filtrare și saci pentru îndepărtarea impurităților în conformitate cu reglementările naționale.

**ATENȚIE: Acest aparat este indicat doar pentru utilizări în spații interioare.**

Asigurați ventilarea corespunzătoare la locul de lucru.

Dacă mașina nu funcționează corect sau a fost scăpată pe jos, deteriorată, lăsată afară sau scăpată în apă, retrimiteți-o la un centru de service sau la distribuitor.

## ÎNȚEȚINERE

Îndepărtați acumulatorul înainte de începerea lucrului pe mașina Numai întreținere de lucru, care, în instrucțiunile de operare.

Fantele de aerisire ale mașinii trebuie să fie menținute libere tot timpul

Componentele detașabile (incluzând colectorul de praf) trebuie demontate în scopul curățării.

Îndepărtați permanent praful și murdăria de pe aparat. Păstrați mânerul curat, uscat și lipsit de ulei sau unsoare. Detergenții și solvenții dăunează materialelor plastice și celorlalte componente izolatoare, deci nu curățați aparatul decât cu un săpun ușor și cu o lavetă umezită. Nu folosiți niciodată solvenți inflamabili în apropierea aparatului.

Filtrul de praf trebuie înlocuit, în funcție de numărul de ore de funcționare. A se curăța aparatul cu o cârpă uscată și cu o cantitate mică de spray de luciu.

Nu de apă de pe partea superioară a aspirației: Pericol pentru persoane, riscul de scurt circuit.

Pentru un service efectuat de utilizator, mașina trebuie demontată, curățată și verificată astfel încât să nu fie cauzate riscuri pentru personalul de întreținere sau pentru alte persoane. Măsurile adecvate de precauție includ decontaminarea înainte de demontare, crearea unei evacuări prin ventilare pentru filtrul local atunci când mașina este demontată, curățarea zonei de reparații și protecția adecvată oferită personalului.

Pe timpul lucrărilor de mentenanță și reparație, toate componentele murdărite, ce nu a putut fi curățate în mod satisfăcător, trebuie să:

- Fie ambalate în saci bine închiși
- Eliminate conform reglementărilor valabile pentru acest tip de deșeurii.

Acest aparat trebuie verificat în mod regulat de către un tehnician calificat. De exemplu, trebuie verificate eventuale deteriorări ale filtrelor, precum și etanșitatea aparatului și funcționarea corectă a mecanismului de comandă.

Utilizarea pieselor de schimb, periiilor și accesoriilor care nu sunt originale poate afecta siguranța și/sau funcționarea aparatului. Utilizați numai accesorii și piese de schimb Milwaukee. Dacă unele din componente care nu au fost descrise trebuie înlocuite, vă rugăm contactați unul din agenții de service Milwaukee (vezi lista noastră pentru service / garanții

Dacă este necesară, se poate comanda o imagine descompusă a sculei. Vă rugăm menționați numărul art. Precum și tipul mașinii tipărit pe etichetă și comandați desenul la agenții de service locali sau direct la Techtronic Industries GmbH, Max-Eyth-Straße 10, 71364 Winnenden, Germany.

## DEPOZITARE

Depozitați aparatul uscat și protejat contra înghețului.

**ATENȚIE: Acest aparat are voie să fie depozitat doar în spații interioare.**

## DECLARAȚIE DE CONFORMITATE

Declaram pe propria răspundere că produsul descris în capitolul „Date tehnice” îndeplinește toate cerințele relevante ale directivelor

2011/65/UE (RoHS)

2006/42/CE

2014/30/UE

și au fost utilizate următoarele standarde armonizate

EN 60335-1:2012+A11:2014+A13:2017

EN 60335-2-69:2012

EN 62233:2008

EN 55014-1:2017

EN 55014-2:2015

EN 50581:2012



Winnenden, 2018-07-04

Alexander Krug / Managing Director

Împuternicit să elaboreze documentația tehnică.

Techtronic Industries GmbH

Max-Eyth-Straße 10, 71364 Winnenden, Germany





## SIMBOLURI



PERICOL! AVERTIZARE! ATENȚIE!



Îndepărtați acumulatorul înainte de începerea lucrului pe mașina



Va rugăm citiți cu atenție instrucțiunile înainte de pornirea mașinii



Va rugăm citiți cu atenție instrucțiunile înainte de pornirea mașinii



Accesoriu - Nu este inclus în echipamentul standard, disponibil ca accesoriu



AVERTIZARE: Acest aparat este indicat doar pentru utilizare uscată.



Clasa de protecție III



Tensiune



Curent continuu



Praf clasa L (IEC 60335-2-69)

Prafurile ce aparțin acestei clase, au o valori LEP > 1mg/m<sup>3</sup>



Aparatele electrice, bateriile/acumulatorii nu se elimină împreună cu deșeurile menajere. Aparatele electrice și acumulatorii se colectează separat și se predau la un centru de reciclare, în vederea eliminării ecologice. Informați-vă de la autoritățile locale sau de la comercianții acreditați în legătură cu centrele de reciclare și de colectare.



Marcă de conformitate europeană



Marcă de conformitate ucraineană



Marcă de conformitate eurasiatică

ТЕХНИЧКИ ПОДАТОЦИ Систем за всмукување	M18 FBPV
Произведен број	4693 26 01... ... 000001-999999
Волтажа на батеријата	18 V
Амперы	25 A
Прием на сила	380 W
Проток на воздух	1557 l/min 93 m <sup>3</sup> /h
Потпритисок	18,9 kPa 189 mbar
Капацитет	3,8 l
Тип со филтер	HEPA H13
Тежина според ЕПТА-процедурата 01/2014 (Li-Ion 2,0 Ah ... 12,0 Ah)	8,43 kg ... 9,53 kg
Дијаметар на вшмуувачко црево	36 mm
Препорачана температура на околината за работа	-18°C ... +50°C
Препорачани комплекти акумулаторски батерии	M18B... M18HB...
Препорачани полначи	M12-18... M1418 C6
<b>Информации за бучавата</b> Измерените вредности се одредени согласно стандардот ISO 4871. А-оценетото ниво на бучава на апаратот типично изнесува: Ниво на звучен притисок LpA (Несигурност K=2dB(A)) Ниво на јачина на звук LWA (Несигурност K=2dB(A))	65 dB (A) 76 dB (A)
<b>Носте штитник за уши.</b>	
<b>Информации за вибрациите според EN 60335-2-69</b> Вкупни вибрациски вредности (векторски збир на трите насоки) пресметани согласно ISO 5349. Вибрациска емисиона вредност a <sub>h</sub> Несигурност K	0,15 m/s <sup>2</sup> 0,05 m/s <sup>2</sup>



**⚠ ПРЕДУПРЕДУВАЊЕ!** Внимателно прочитајте го упатството за употреба пред да го користите апаратот. Прочитајте ги сите безбедносни упатства и инструкции. Заборавање на почитувањето на безбедносните упатства и инструкции можат да предизвикаат електричен удар, пожар и/или тешки повреди.

**ПРЕДУПРЕДУВАЊЕ:** Корисникот мора да биде информиран во доволна мерка во врска со употребата на апаратот!  
Сочувајте ги сите безбедносни упатства и инструкции за во иднина.

#### **⚠ УПАТСТВО ЗА УПОТРЕБА СИСТЕМ ЗА ВСМУКУВАЊЕ**

Овој апарат не е наменет за употреба од страна на лица (вклучувајќи деца) со намалени телесни, сензориски или душевни капацитети или со недостаток на искуство односно стручно знаење. Покрај тоа треба да се внимава на тоа и да се создадат услови да се спречи случајно деца да не почнат да си играат со апаратот. Чистење и одржување на апаратот не смее да вршат деца без соодветен надзор.

Овој апарат може да се користи само под надзор.

Никогаш не ставајте во машината запалливи раствори, или течност како бензин, масло, алкохол, разредувачи, или мали делови (како метални делови или пепел) кои можат да бидат

потопли од 60°C, во спротивно постои опасност од експлозија и пожар!

Не е дозволено да се користи направата во близина на запалливи гасови или супстанции.

Не го вперувајте врвот, цревото или цевката кон луѓе или животни.

Не доближувајте ја косата, делови од облеката или телото во близина на отвори и до подвижните делови од апаратот. Не използвајте уреда, ако някој от отворите е блокиран и не пњхайте никакви предмети во отворите. Чувајте ги отворите чисти од прашина, текстилни влакна, коса и други материјали кои можат да го намалат протокот на воздух.

**ПРЕДУПРЕДУВАЊЕ!** За да избегнете опасноста од пожар, од наранувања или од оштетување на производот, коишто ги создава краток спој, не ја потопувајте во течност алатката, заменливата батерија или полначот и пазете во уредите и во батериите да не проникнуваат течности. Корозивни или електроспроводливи течности, како солена вода, одредени хемикалии, избелувачки препарати или производи кои содржат избелувачки супстанции, можат да предизвикаат краток спој.

Не ги отворајте насилно батериите и полначите, и чувајте ги само на суво место. Чувајте ги постојано суви.

Користете исклучиво Систем M18 за полнење на батерии од M18 систем. Не користете батериски пакувања од други системи.

Пред да започне со работа, сервисниот персонал на апаратот, треба да биде информиран за:

- ракување со апаратот
- ризиците, кои произлегуваат од вшмукианиот материјал
- безбедно отстранување на вшмукианиот материјал

### СПЕЦИФИЦИРАНИ УСЛОВИ НА УПОТРЕБА

Оваа мобилна правосмукалка е дизајнирана, развиена и внимателно тестирана за ефикасно и безбедно работење, под услов кога правилно се одржува и се користи во согласност со следните упатства.

Апаратот кој што е опишан во ова упатство за употреба е погоден за

- за индустриска употреба на пр. во лаборатории, хотели, училишта, болници, фабрики, продавници, бироа и закупни деловни протории.
- индустриска употреба, како на пример машински постројки, градилишта и работилници.
- одвојување на прав со експозициска гранична вредност од поголемо од  $1 \text{ mg/m}^3$  (класа на прав L).

### ПРЕДУПРЕДУВАЊЕ: Овој апарат е наменет само за сува интервенција.

Не смеат да се всмукуваат следните материјали:

- опасни прашина од класите M и H
- жешки материјали (цигари што тлеат, жешка пепел итн.)
- запаливи, експлозивни, агресивни течности (на пример бензин, разредувачи, киселини, бази итн.)
- запаливи, експлозивни прашина (на пример магнезиумова, алуминиумова прашина итн.)



За машини со класа на прашина L (со ознака на типот -0L, -2L) важи следново:

- Апаратот е погоден за собирање на сува, незапалива прашина, опасни прашина со OEL вредност  $> 1 \text{ mg/m}^3$ .
- Класа на прашина L (IEC 60335-2-69)
- Прашините од оваа класа имаат OEL вредности  $> 1 \text{ mg/m}^3$
- За машини од класата на прашина L, филтер материјалот е тестиран. Максималниот степен на пропуштање е 1% и нема посебни барања за отстранување.
- За аспиратори на прашина, обезбедете соодветна стапка на промена на воздух L, кога издувниот воздух се враќа во просторијата.

Покрај ова упатство и локалните прописи за избегнување на несреќи, исто така треба да се почитуваат и прописите за безбедност и за одговорно користење на апаратот.

Несреќите, како резултат на неправилното користење можат да бидат спречени само од страна на корисникот.

### ПРОЧИТАЈТЕ ГИ И ПРИДРЖУВАЈТЕ СЕ КОН СИТЕ УПАТСТВА ЗА БЕЗБЕДНОСТ.

Секое друго користење се смета за користење кое не е според неговата намена. Произведувачот не превзема одговорност за такво користење. Ризикот од такво користење се превзема од самиот корисник. Користењето според намената вклучува правилна експлоатација, редовно одржување и поправки, во согласност со упатствата од производителот.

### БАТЕРИИ

Батриите кои не биле користени подолго време треба да се наполнат пред употреба.

Температура повисока од  $50^\circ\text{C}$  ( $122^\circ\text{F}$ ) го намалуваат траењето на батериите. Избегнувајте подолго изложување на батериите на високи температури или сонце (ризик од прегревање).

Клемите на полначот и батериите мора да бидат чисти.

За оптимален работен век батериите мора да се наполнат целосно по употреба.

За можно подолг век на траење, апаратите после нивното полнење треба да бидат извадени од апаратот за полнење на батериите.

Во случај на складирање на батеријата подолго од 30 дена: Акумулаторот да се чува на температура од приближно  $27^\circ\text{C}$  и на суво место. Акумулаторот да се складира на приближно 30%-50% од состојбата на наполнетост. Акумулаторот повторно да се наполни на секои 6 месеци.

Батериите што не се полнат не треба да ги полните повторно.

Батериите на полнење мора да се отстранат од уредот пред полнењето.

Празните батерии мора да се извадат од апаратот и безбедно да се отстранат.

Кога апаратот се чува подолго време, батериите треба да се отстранат.

Клемите на полначот не смеат да се премостуваат.

### ТРАНСПОРТ НА ЛИТИУМ-ЈОНСКИ БАТЕРИИ

Литиум-јонските батерии подлежат на законските одредби за транспорт на опасни материи.

Транспортот на овие батерии мора да се врши согласно локалните, националните и меѓународните прописи и одредби. Потрошувачите на овие батерии може да вршат непречен патен транспорт на истите.

Комерцијалниот транспорт на литиум-јонски батерии од страна на шпедитерски претпријатија подлежат на одредбите за транспорт на опасни материи. Подготовките за шпедиција и транспорт треба да ги вршат исклучиво соодветно обучени лица. Целокупниот процес треба да биде стручно надгледуван.

При транспортот на батерии треба да се внимава на следното:

Осигурајте се дека контактите се заштитени и изолирани, а сето тоа со цел да се избегнат кратки споеви. Внимавајте да не дојде до измествување на батериите во нивната амбалажа. Забранет е транспорт на оштетени или протечени литиум-јонски батерии. За понатамошни инструкции обратете се до Вашето шпедитерско претпријатие.

### ЗАШТИТА ОД ПРЕОПТЕРЕТУВАЊЕ НА БАТЕРИЈАТА

Во случај на преоптоварување на батериите поради enormно висока потрошувачка на електрична енергија, на пр. екстремно висок број на вржени моменти, заглавување на оперативната алатка, неочекувано сопирање или краток спој, електричната алатка прекинува со работа и по 2 секунди автоматски се исклучува.

За повторно вклучување ослободете го притискачот на прекинувачот, а потоа повторно вклучете.

Во случај на екстремни оптоварувања батеријата се загрева премногу. Во таков случај трепкаат сите ламбички од приказот за полнење сè додека батеријата не се излади. По гаснење на приказот за полнење може да се продолжи со работа.

Тогаш ставете ја батеријата во уредот за полнење за повторно да ја напоните и активирате.

### РАБОТНИ УПАТСТВА

Апаратот употребувајте го исклучиво во исправна состојба. Никогаш не всмукувајте без филтер или со оштетен филтер.

Не применувајте небезбедни методи за работа.

Бидете посебно внимателни при чистење на скали.

Составните делови на филтерот, филтер-вреќите и вреќите за прашина се фрлаат во согласност со националните прописи.

**ВНИМАНИЕ: Овој апарат е наменет само за употреба во внатрешни простории.**

Погрижете се за доволно вентилација на работното место.

Ако апаратот не работи правилно, ако има паднато или е оштетен, ако бил на отворено или има паднато во вода, треба да го однесете во сервис или да го вратите кај дистрибутерот.

### ОДРЖУВАЊЕ, ЧИСТЕЊЕ И ПОПРАВКА

Извадете го батерискиот склоп пред отпочнување на каков и да е зафат врз машината.

Да се изведуваат само постапките на одржување кои што се опишани во упатството за употреба.

Вентилациските отвори на машината мора да бидат комплетно отворени постојано.

Расклопливите делови (вклучувајќи го колекторот за прашина) треба да се извадат за чистење.

Постојано отстранувајте прашина и нечистотија од апаратот. Одржувајте ја рачката чиста, сува и без масти или масло. Средства за чистење и разредување се штетни по пластиките и други изолирачки делови, затоа чистете само со нежен сапун и влажна крпа. Никогаш не употребувајте запаливи средства за разредување во близина на апаратот.

Во зависност од бројот на работните саати – филтерот за прашина треба да се замени. Машината одржувајте ја чиста со сува крпа и мала количина на спреј за полирање.

Горниот дел за всмукување никогаш не смее да се испрска со вода; постои опасност за лица, опасност од краток спој.

За тековно сервисира од страна на корисниците, апаратот мора да се расклопи, да се исчисти и да се сервисира, колку што е разумно возможно, без да се предизвикува ризик за сервисниот персонал и за другите. Во соодветните мерки на претпазливост е вклучена деконтаминација пред расклопувањето, мерки за локално филтрирана издувна вентилација каде што машината се расклопува, се чисти местото за одржување и соодветна лична заштита.

За време на одржување и поправка сите контаминирани делови што не можат да се исчистат задоволително мора:

- Да се спакуваат во добро запечатени кеси
- Да се отстранат согласно важечките регулативи за отстранување на таков отпад.

Апаратот треба редовно да се проверува од страна на квалификуван техничар. На пример, проверете ги филтрите за оштетување и проверете ја непропустливоста на апаратот и правилното функционирање на контролниот механизам.

Користењето на неоригинални резервни делови и додатоци може да ја наруши безбедноста на апаратот. Користете само Milwaukee додатоци и резервни делови. Доколку некои од компонентите кои не се опишани треба да бидат заменети, Ве молиме контактирајте ги сервисните агенти на Milwaukee (консултирајте ја листата на адреси).

Доколку е потребно можно е да биде набавен детален приказ на алатот. Ве молиме наведете го бројот на артиклот како и типот на машина кој е отпечатен на етикетата и порачајте ја скицата кај локалниот застапник или директно кај: Techtronic Industries GmbH, Max-Eyth-Straße 10, 71364 Winnenden, Germany.

### СКЛАДИШТЕЊЕ

Апаратот треба да се чува во суви услови и заштитено од замрзнување.

**ВНИМАНИЕ: Овој апарат смее да се складира исклучиво во внатрешни простории.**

### ЕУ-ДЕКЛАРАЦИЈА ЗА СООБРАЗНОСТ

Под целосна лична одговорност изјавуваме дека производот опишан во „Технички податоци“ е во сообразност со сите релевантни прописи од директивите

2011/65/EU (RoHS)

2006/42/EC

2014/30/EU

и дека се применети следните хармонизирани стандарди

EN 60335-1:2012+A11:2014+A13:2017

EN 60335-2-69:2012

EN 62233:2008

EN 55014-1:2017

EN 55014-2:2015

EN 50581:2012



Winnenden, 2018-07-04

Alexander Krug / Managing Director

Ополномоштен за составување на техничката документација.

Techtronic Industries GmbH

Max-Eyth-Straße 10, 71364 Winnenden, Germany



## СИМБОЛИ



ВНИМАНИЕ! ПРЕДУПРЕДУВАЊЕ! ОПАСНОСТ!



Извадете го батерискиот склоп пред отпочнување на каков и да е зафат врз машината.



Ве молиме пред да ја стартувате машината обрнете внимание на упатствата за употреба.



Ве молиме пред да ја стартувате машината обрнете внимание на упатствата за употреба.



Дополнителна опрема - Не е вклучена во стандардната, а достапна е како додаток.



ПРЕДУПРЕДУВАЊЕ: Овој апарат е наменет само за сува интервенција.



Заштитна класа III



Волти



Истосмерна струја



Класа на прашина L (IEC 60335-2-69)

Прашините од оваа класа имаат OEL вредности  $> 1\text{mg}/\text{m}^3$



Електричните апарати и батериите што се полнат не смеат да се фрлат заедно со домашниот отпад. Електричните апарати и батериите треба да се собираат одделно и да се однесат во соодветниот погон заради нивно фрлање во склад со начелата за заштита на околината. Информирајте се кај Вашите местни служби или кај специјализираниот трговски претставник, каде има такви погони за рециклажа и собирни станици.



Европска ознака за сообразност



Украинска ознака за сообразност



Евроазиска ознака за сообразност

ТЕХНІЧНІ ХАРАКТЕРИСТИКИ	M18 FBPV
Система всмоктування	
Номер виробу	4693 26 01... ... 000001-999999
Напруга змінної акумуляторної батареї	18 V
Споживаний струм	25 A
Споживана потужність	380 W
Потік повітря	1557 l/min 93 m <sup>3</sup> /h
Знижений тиск	18,9 kPa 189 mbar
Місткість	3,8 l
Тип фільтра	HEPA H13
Вага згідно з процедурою EPTA 01/2014 (Li-Ion 2,0 Ah ... 12,0 Ah)	8,43 kg ... 9,53 kg
Діаметр всмоктувального шлангу	36 mm
Температура навколишнього середовища, рекомендована для експлуатації	-18°C ... +50°C
Рекомендовані акумулятори	M18B... M18HB...
Рекомендовані зарядні пристрої	M12-18... M1418 C6
<b>Інформація про шум</b> Вимірні значення визначені згідно з ISO 4871. Рівень шуму „А“ приладу становить в типовому випадку: Рівень звукового тиску LpA (похибка K = 2 дБ(A)) Рівень звукової потужності LWA (похибка K = 2 дБ(A))	65 dB (A) 76 dB (A)
<b>Використовувати засоби захисту органів слуху!</b>	
<b>Інформація щодо вібрації згідно з EN 60335-2-69</b> Сумарні значення вібрації (векторна сума трьох напрямків), встановлені згідно з ISO 5349. Значення вібрації a <sub>h</sub> похибка K =	0,15 m/s <sup>2</sup> 0,05 m/s <sup>2</sup>



**⚠ ПОПЕРЕДЖЕННЯ! Перед використанням приладу уважно ознайомтеся з інструкцією. Прочитайте всі вказівки з техніки безпеки та інструкції.**

Упущення при дотриманні вказівок з техніки безпеки та інструкцій можуть призвести до ураження електричним струмом, пожежі та/або тяжких травм.

**ПОПЕРЕДЖЕННЯ: Користувач повинен отримати достатньо інформації щодо користування пристроєм! Зберігайте всі вказівки з техніки безпеки та інструкції на майбутнє.**

**⚠ ВКАЗІВКИ З ТЕХНІКИ БЕЗПЕКИ ДЛЯ СИСТЕМА ВСМОКТУВАННЯ**

Цей пристрій не підходить для використання особами (в тому числі дітьми) з обмеженими фізичними, сенсорними або розумовими можливостями, або з недостатнім досвідом чи з недостатніми спеціальними знаннями. Крім того, за дітьми необхідно спостерігати, щоб переконатися, що вони не граються з приладом. Числення та технічне обслуговування, що виконуються користувачем, не можна довіряти дітям без нагляду. Експлуатація цього приладу може здійснюватися лише під наглядом.

**Небезпека пожежі та вибуху!**

Взагалі не можна всмоктувати горючі або вибухові розчинники, рідини, наприклад, бензин, мастило, спирт, розріджувач, а також частинки (металева стружка, попіл) з температурою понад 60 °C; існує небезпека вибуху та пожежі!

Пристрій не можна використовувати поблизу займистих газів та речовин

Не направляти сопло, шланг чи трубку на людей або тварин.

Не тримати волосся, вільні деталі одягу та частини тіла поблизу отворів або рухомих деталей пристрою. Не користуватися пристроєм, якщо один з отворів заблокований та не вставляти в отвори сторонні предмети. Тримати отвори вільними від пилу, ниток, волосся та інших матеріалів, що можуть затримувати повітряний потік.

**ПОПЕРЕДЖЕННЯ!** Для запобігання небезпеці пожежі в результаті короткого замикання, травматів і пошкодження виробів не занурюйте інструмент, змінний акумулятор або зарядний пристрій у рідину і не допускайте потрапляння рідини всередину пристроїв або акумуляторів. Корозійні і струмопровідні рідини, такі як солоний розчин, певні хімікати, вибілювальні засоби або продукти, що їх містять, можуть призвести до короткого замикання.

Не відкривати змінні акумуляторні батареї зарядні пристрої та зберігати їх лише в сухих приміщеннях. Берегти від вологи.

Змінні акумуляторні батареї системи M18 заряджати лише зарядними пристроями системи M18. Не використовуйте акумуляторні батареї з інших систем.

Персонал, який обслуговує пристрій, перед початком роботи необхідно сповістити про:

- поведіння з пристроєм;
- небезпеку, яка походить від всмоктуваного матеріалу;
- безпечне видалення всмоктуваного матеріалу.

## ВИКОРИСТАННЯ ЗА ПРИЗНАЧЕННЯМ

Цей пересувний пилоос бив сконструйований, розроблений та ретельно перевірений, аби він працював ефективно та надійно, якщо правильно виконувати його технічне обслуговування та користуватись ним згідно з наступними інструкціями. Описаний в цій інструкції з експлуатації пристрій призначений для:

- для промислового використання, наприклад, в лабораторіях, готелях, школах, лікарнях, на фабриках, у магазинах, в офісах та в пунктах прокату.
- промислове використання, наприклад, на заводах, на об'єктах будівництва та в майстернях.
- для уловлювання пилу з гранично допустимою концентрацією, що перевищує  $1 \text{ мг/м}^3$  (клас чистоти L).

**ПОПЕРЕДЖЕННЯ: Цей пристрій підходить лише для сухого використання.**

Не можна всмоктувати зазначені далі матеріали:

- небезпечний пил, що належить до класів M і H
- гарячі матеріали (тілючі цигарки, гарячий попіл і т.д.)
- горючі, вибухонебезпечні агресивні рідини (наприклад, бензин, розчинники, кислоти, луги та ін.)
- горючий, вибухонебезпечний пил (наприклад, магнісвий або алюмінієвий пил та ін.)



Для машин, призначених для роботи з пилом класу L (з позначенням типу -0L, -2L), застосовуються наведені нижче положення.

- Цей прилад придатний для збирання сухого, не займистого пилу, небезпечного пилу з ГДК  $> 1 \text{ мг/м}^3$ .
- Клас пилу L (ІЕС 60335-2-69)
- Пил, що належить до цього класу, має ГДК  $> 1 \text{ мг/м}^3$ .
- Для машин, призначених для роботи з пилом класу L, матеріал фільтра проходить випробування. Максимальний ступінь проникності складає 1 %, особливі вимоги до утилізації відсутні.
- Для пристроїв відокремлення пилу забезпечте достатню швидкість обміну повітря L, якщо відведене повітря надходить назад до приміщення.

Разом з цією інструкцією та правилами попередження нещасних випадків у конкретній країні також необхідно дотримуватись правил техніки безпеки та відповідального користування.

Нещасні випадки з причини недозволеного користування може відвернути тільки користувач.

**ПРОЧИТАТИ УСІ ВКАЗІВКИ З БЕЗПЕКИ ТА ЇХ ДОТРИМУВАТИСЬ.**

Будь-яке інше застосування вважається використанням не за призначенням. Виробник не несе жодної відповідальності за збитки внаслідок такого використання. Ризику за таке використання зазнає сам користувач. Використання за призначенням включає в себе правильну експлуатацію та регулярне технічне обслуговування та ремонт відповідно до інструкції виробника.

## АКУМУЛЯТОРНІ БАТАРЕЇ

Змінну акумуляторну батарею, що не використовувалася тривалий час, перед використанням необхідно підзарядити.

Температура понад  $50^\circ\text{C}$  зменшує потужність змінної акумуляторної батареї. Уникати тривалого нагрівання сонячними променями або системою обігріву.

З'єднувальні контакти зарядного пристрою та змінної акумуляторної батареї повинні бути чистими.

Для забезпечення оптимального строку експлуатації акумуляторні батареї після використання необхідно повністю зарядити.

Для забезпечення максимально можливого терміну експлуатації акумуляторні батареї після зарядки необхідно виймати з зарядного пристрою.

При зберіганні акумуляторної батареї понад 30 днів: Зберігати акумуляторну батарею при температурі приблизно  $27^\circ\text{C}$  в сухому місці. Зберігати акумуляторну батарею в стані зарядки приблизно 30-50 %. Кожні 6 місяців знову заряджати акумуляторну батарею.

Не заряджайте повторно акумулятори, які не підлягають повторному заряджанню.

Батареї, придатні для багаторазової зарядки, перед зарядкою необхідно вийняти з пристрою.

Розряджені батареї необхідно вийняти з пристрою та безпечно утилізувати.

Якщо передбачається тривале зберігання пристрою, батареї необхідно вийняти.

З'єднувальні контакти не можна закорочувати.

## ТРАНСПОРТУВАННЯ ЛІТІЙ-ІОННИХ АКУМУЛЯТОРНИХ БАТАРЕЙ

Літій-іонні акумуляторні батареї підпадають під законоположення про перевезення небезпечних вантажів.

Транспортування таких акумуляторних батарей повинно відбуватися із дотриманням місцевих, національних та міжнародних приписів та положень.

споживачі можуть без проблем транспортувати ці акумуляторні батареї по вулиці.

Комерційне транспортування літій-іонних акумуляторних батарей експедиторськими компаніями підпадає під положення про транспортування небезпечних вантажів.

Підготовку до відправлення та транспортування можуть здійснювати виключно особи, які пройшли відповідне навчання. Весь процес повинні контролювати кваліфіковані фахівці.

При транспортуванні акумуляторних батарей необхідно дотримуватись зазначених далі пунктів:

Переконайтеся в тому, що контакти захищені та ізольовані, щоб запобігти короткому замиканню. Слідкуйте за тим, щоб акумуляторна батарея не переміщувалася всередині упаковки. Пошкоджені акумуляторні батареї, або акумуляторні батареї, що потекли, не можна транспортувати. Для отримання подальших вказівок звертайтеся до своєї експедиторської компанії.

## ЗАХИСТ АКУМУЛЯТОРНОЇ БАТАРЕЇ ВІД ПЕРЕВАНТАЖЕННЯ

При перевантаженні акумуляторної батареї внаслідок занадто високого споживання струму, наприклад, занадто високий крутильний момент, заклинювання вставного інструмента, раптова зупинка або коротке замикання, електроінструмент зупиняється на протязі 2 секунд та самостійно вимикається. Для повторного увімкнення відпустити кнопку вимикача і знов увімкнути.

При надмірних навантаженнях акумуляторна батарея сильно перегрівается. В цьому випадку всі лампочки індикатора

заряду блимають, доки акумуляторна батарея не охолоне. Можна продовжити роботу після того, як індикатор заряду згасне.

Вставити акумуляторну батарею в зарядний пристрій, щоб знову зарядити та активувати її.

### ВКАЗІВКИ ЩОДО ЕКСПЛУАТАЦІЇ

Використовувати прилад тільки за відсутності пошкоджень. В жодному разі не можна експлуатувати без фільтра або з пошкодженим фільтром.

Не застосовувати сумнівні робочі методи.

При прибиранні на сходах бути особливо обережним.

Фільтруючі елементи, фільтр-мішки та мішки для утилізації утилізуються відповідно до національних приписів.

### УВАГА: Цей пристрій призначений для використання тільки в приміщенні

На робочому місці забезпечити достатню вентиляцію.

Якщо пристрій функціонує неправильно, він впаде або пошкоджений, якщо він стояв на вулиці або потрапив до води, його необхідно віддати до сервісної майстерні або продавцю.

### ТЕХНІЧНЕ ОБСЛУГОВУВАННЯ, ПРИБИРАННЯ ТА РЕМОНТ

Перед будь-якими роботами на приладі вийняти змінну акумуляторну батарею.

Знаходяться під напругою деталі у верхній частині пилососа.

Завжди підтримувати чистоту вентиляційних отворів.

Відокремлювані деталі (включно з пилосбірниками) необхідно знімати для очищення.

Завжди видаляти пил та бруд з приладу. Тримати рукоятку в чистому та сухому стані, на ній не повинно бути оливи або мастила. Засоби для чищення та розчинники шкідливі для полімерних матеріалів та інших ізолюючих деталей, тому чистити прилад тільки м'яким милом та вологою серветкою. Ніколи не використовуйте легкозаймисті розчинники поблизу приладу.

Фільтр пилу необхідно замінювати в залежності від кількості робочих годин. Очищуйте машину сухою тканиною з невеликою кількістю спрею для полірування.

Ні в якому разі не мити верхню частину пилососа струменем води. небезпечно для осіб, ризик або коротке замикання.

В рамках сервісного обслуговування пристрою користувачем виконується розбирання, очищення і технічне обслуговування пристрою, при цьому слід діяти обережно, щоб не створювати небезпечні ситуації для персоналу та інших осіб. До необхідних заходів обережності відноситься очищення пристрою перед розбиранням, забезпечення приміщення, де виконується розбирання, системою витяжної вентиляції, очищення зони обслуговування і відповідні засоби захисту персоналу.

Під час технічного обслуговування та ремонту всі забруднені деталі, які неможливо очистити належним чином, необхідно:

- упакувати в належним чином герметизовані пакети;
- утилізувати належним чином відповідно до чинних норм щодо утилізації таких відходів.

Прилад повинен проходити регулярний огляд кваліфікованим спеціалістом з обслуговування. Наприклад, перевіряйте фільтри на наявність пошкоджень, перевіряйте повітропроникність приладу та належну роботу механізму управління.

Використання неоригінальних запасних частин та приладдя може зашкодити безпеці пристрою. Використовувати тільки комплектуючі та запчастини Milwaukee. Деталі, заміна яких не описується, замінювати тільки в відділі обслуговування клієнтів Milwaukee (зверніть увагу на брошуру „Гарантія / адреси сервісних центрів“).

У разі необхідності можна запросити креслення з зображенням вузлів машини в перспективному вигляді, для цього потрібно звернутися в ваш відділ обслуговування клієнтів або безпосередньо в Techtronic Industries GmbH, Max-Eyth-Straße 10, 71364 Winnenden, Німеччина, та вказати тип машини та шестизначний номер на фірмовій таблиці з даними машини.

### ЗБЕРІГАННЯ

Зберігати машину в сухому і захищеному від морозу місці.

### УВАГА: Цей пристрій можна зберігати тільки в приміщенні.

### СЕРТИФІКАТ ВІДПОВІДНОСТІ ВИМОГАМ ЄС

Ми заявляємо на власну відповідальність, що виріб, описаний в „Технічних даних“, відповідає всім застосовним положенням директиви

2011/65/EU (RoHS)

2006/42/EC

2014/30/EU

та наступним гармонізованим нормативним документам:

EN 60335-1:2012+A11:2014+A13:2017

EN 60335-2-69:2012

EN 62233:2008

EN 55014-1:2017

EN 55014-2:2015

EN 50581:2012



Winnenden, 2018-07-04

Alexander Krug / Managing Director

Уповноважений із складання технічної документації.

Techtronic Industries GmbH

Max-Eyth-Straße 10, 71364 Winnenden, Germany





## СИМВОЛИ



УВАГА! ПОПЕРЕДЖЕННЯ! НЕБЕЗПЕЧНО!



Перед будь-якими роботами на приладі вийняти змінну акумуляторну батарею.



Уважно прочитайте інструкцію з експлуатації перед введенням приладу в дію.



Уважно прочитайте інструкцію з експлуатації перед введенням приладу в дію.



Комплектуючі - не входять в обсяг постачання, рекомендовані доповнення з програми комплектуючих.



ПОПЕРЕДЖЕННЯ: Цей пристрій підходить лише для сухого використання.



Клас захисту III

V

Напруга



Постійний струм



Клас пилу L (IEC 60335-2-69)

Пил, що належить до цього класу, має ГДК > 1 мг/м<sup>3</sup>.



Електроприлади, батареї/акумулятори заборонено утилізувати разом з побутовим сміттям. Електричні прилади і акумулятори слід збирати окремо і здавати в спеціалізовану компанію для утилізації відповідно до норм охорони довкілля. Зверніться до місцевих органів або до вашого дилера, щоб отримати адреси пунктів вторинної переробки та пунктів прийому.



Європейський знак відповідності



Український знак відповідності



Євроазіатський знак відповідності

تنبيه! تحذير! خطر!



انزع البطارية قبل التعامل مع الجهاز.



يرجى قراءة التعليمات بعناية قبل بدء تشغيل الجهاز.



يرجى قراءة التعليمات بعناية قبل بدء تشغيل الجهاز.



الملحق - ليس مدرجًا كمعدة قياسية، متوفر كملحق.



تحذير: هذه الماكينة مُصممة للاستخدام الجاف فقط.



فئة السلامة III



وحدات الفولط



التيار المستمر



فئة الغبار (IEC 60335-2-69 L)

تزيد قيمة حد التعرض للأخطار المهنية لهذه الفئة عن 1 ملجم/متر مكعب



يحظر التخلص من الأجهزة الكهربائية والبطاريات/البطاريات القابلة للشحن في القمامة المنزلية. يجب جمع الأجهزة الكهربائية والبطاريات القابلة للشحن منفصلة وتسليمها للتخلص منها بشكل لا يضر بالبيئة لدى شركة إعادة استغلال. الرجاء الاستفسار لدى الهيئات المحلية أو لدى التجار المتخصصين عن مواقع إعادة الاستغلال ومواقع الجمع.



علامة التوافق الأوروبية



علامة التوافق الأوكرانية



علامة التوافق الأوروبية الآسيوية



## التخزين

يحفظ الجهاز في مكان جاف ويتم حمايته من الصقيع.  
تنبيه: تُخزن الماكينة في الأماكن المغلقة فقط.

## إعلان المطابقة - الاتحاد الأوروبي

نعلمن تحت مسؤوليةنا وديننا أن المنتج المعين تحت اسم  
„البيانات الفنية“ يستوفي جميع الأحكام ذات الصلة ضمن  
التوجيهات

(EU (RoHS/2011/65

EG/2006/42

EU/2014/30

والمعايير المتسقة التالية

EN 60335-1:2012+A11:2014+A13:2017

EN 60335-2-69:2012

EN 62233:2008

EN 55014-1:2017

EN 55014-2:2015

EN 50581:2012

2018-07-04, Winnenden



Alexander Krug / Managing Director

معتمدة للمطابقة مع الملف الفني

Techtronic Industries GmbH

Max-Eyth-Straße 10, 71364 Winnenden,  
Germany

يلزم فك الأجزاء القابلة للفك (بما في ذلك أداة جمع الغبار)  
بغرض تنظيفها.

نظف الأداة من الغبار والحطام. اجعل مقابض الأداة نظيفة  
وجافة وخالية من الزيت أو الشحم. استخدم الصابون الرقيق  
والملايس الرطبة لتنظيف الأداة فقط حيث إن مواد ومحاليل  
التنظيف تتسبب في تلف البلاستيك وأجزاء أخرى معزولة. لا  
تستخدم المحاليل القابلة للاشتعال أو الاشتعال حول الأداة.

وفقاً لعدد ساعات التشغيل - يلزم تجديد فلتر الغبار. حافظ  
على نظافة الماكينة باستخدام قطعة من القماش الجاف،  
والقليل من رذاذ التلميع.

يحظر تماماً رش الماء على الجزء العلوي من المكبسة  
الكهربائية: إمكانية تعرض الأشخاص للخطر، لحدوث خطر  
ماس كهربائي

فيما يتعلق بصيانة المستخدم، يجب تفكيك الجهاز، وتنظيفه  
وصيانته، إلى القدر المعقول عملياً، دون التسبب بأي خطر  
لفريق الصيانة والآخرين. تتضمن التدابير الوقائية الملائمة  
التطهير قبل التفكيك، وتوفير التهوية الداخلية من العوادم  
التي تتم تصفيها في موقع تفكيك الجهاز، وتنظيف منطقة  
الصيانة، وتوفير عوامل الحماية الشخصية الملائمة.

عند القيام بأعمال الصيانة والإصلاح، يلزم القيام بما يلي  
للأجزاء الملوثة التي تعذر تنظيفها على نحو مرض:

- حفظها في أكياس محكمة الإقفال
- التخلص منه بالشكل الذي يتوافق مع القواعد السارية لمثل  
هذه النفايات.

يلزم فحص الجهاز بشكل منتظم على يد فني خدمة مؤهل،  
حيث يقوم، على سبيل المثال، بفحص الفلاتر بحثاً عن التلف  
وفحص إحكام الغلق بالجهاز ووظيفية آلية التحكم.

قد يؤدي استخدام قطع الغيار والملحقات غير الأصلية إلى  
الإضرار بسلامة الجهاز. استخدم فقط ملحقات ميلوكي وكذلك  
قطع غيار ميلوكي. إذا كانت المكونات التي يجب تغييرها غير  
مذكورة، يرجى الاتصال بأحد عملاء صيانة ميلوكي (انظر  
قائمة عناوين الضمان/الصيانة الخاصة بنا).

عند الحاجة يمكن طلب رمز انفجار الجهاز بعد ذكر طراز  
الألة والرقم السداسي المذكور على بطاقة طاقة الألة لدى جهة  
خدمة العملاء أو مباشرة لدى شركة

Techtronic Industries GmbH

Max-Eyth-Straße 10

71364 Winnenden

ألمانيا

لا يتم إعادة شحن البطاريات غير القابلة لإعادة الشحن.  
يجب نزع البطاريات القابلة للشحن مرة أخرى من الجهاز قبل الشحن.  
يجب نزع البطاريات الفارغة من الجهاز والتخلص منها بشكل مأمون.  
إذا كان سيتم تخزين الجهاز لفترة طويلة، فينبغي نزع البطاريات من الجهاز.  
لا يجوز تلامس أطراف التوصيل.

### نقل بطاريات الليثيوم

تخضع بطاريات الليثيوم أيون لشروط وقوانين نقل السلع الخطرة.  
ويجب نقل هذه البطاريات وفقاً للأحكام والفوازين المحلية والوطنية والدولية.  
يمكن للمستخدم نقل البطاريات برأ دون الخضوع لشروط أخرى.  
يخضع النقل التجاري لبطاريات الليثيوم أيون عن طريق الغير إلى قوانين نقل السلع الخطرة. يتعين أن يقوم أفراد مدربون جيداً بالأعداد لعملية النقل والقيام بها بصحبة خبراء متعلمين.  
متى تُنقل البطاريات:  
عند التأكد من حماية أطراف توصيل البطارية وعزلها تجدياً لحدوث قصر بالدائرة. عند التأكد من حماية حزمة البطارية من الحركة داخل صندوق التعبئة. يُرجى عدم نقل البطاريات التي بها تشققات أو تسربات. يُرجى البحث مع شركة الشحن عن نصيحة أخرى

### حماية البطارية

في حالة التجهيل الزائد على البطارية نتيجة استهلاك طاقة كهربائية عالية جداً، على سبيل المثال عزم دوران عالي جداً، أو انحسار الآلة المستخدمة أو التوقف المفاجئ أو حدوث ماس كهربائي تتوقف الآلة الكهربائية لمدة دقيقتين وتتوقف تلقائياً عن العمل.  
لإعادة الضبط، حرر الزناد.  
في الظروف القصوى للعمل، قد ترتفع درجة الحرارة الداخلية للبطارية ارتفاعاً شديداً. إذا حدث ذلك، سيضيء مقياس الوقود حتى تنخفض درجة حرارة البطارية. بعد انطفاء الأضواء، يمكنك متابعة العمل.  
ضع البطارية على الشاحن للشحن ثم أعد ضبطها.

### نصائح العمل

استخدم الجهاز إذا كان في حالة ممتازة فقط. لا تستخدم مرشح الغبار مطلقاً دون المرشح أو في حال تلفه.  
يُحظر استخدام أي أساليب عمل غير آمنة.  
يجب الانتباه بشكل خاص عند تنظيف الدرج.  
تخلص من الفلاتر وأكياس الفلاتر أو أكياس القمامة تبعاً للتعليمات الوطنية.

### تنبيه: هذه الماكينة مُصممة للاستخدام المنزلي فقط.

احرص على توفر التهوية الكافية في مكان العمل.  
عندما لا يعمل الجهاز بالشكل الصحيح، أو يتعرض للسقوط أو التلف، أو ترك بالخارج أو سقط بالماء، يجب إحضاره إلى ورشة الخدمة أو إلى أحد التجار.

### الصيانة والتنظيف والإصلاح

انزع البطارية قبل التعامل مع الجهاز.  
يلزم أداء أعمال الصيانة المذكورة فقط في دليل الاستخدام.  
يجب أن تكون فتحات تهوية الجهاز نظيفة طوال الوقت.

أجهزة المكابس الكهربائية التي تم وصفها في دليل التشغيل هذا مناسبة للقيام بما يلي:  
• الاستخدام التجاري، على سبيل المثال في الفنادق والمدارس والمستشفيات والمصانع والمحلات والمكاتب والأماكن المؤجرة للأعمال.  
• الاستخدام الصناعي، كالمصانع، ومواقع البناء، والورش.  
• فصل الغبار مع الحد من التعرض للمواد الخطرة بمعدل أكثر من 1 مللي جرام/متر مكعب، (فئة الغبار L)..  
**تحذير: هذه الماكينة مُصممة للاستخدام الجاف فقط.**

لا يجب تنظيف المواد التالية باستخدام المكبسة الكهربائية  
• الغبار الخطر من الفئتين H و M  
• المواد الساخنة (السجائر المحترقة أو رفات الحريق))  
• السوائل سريعة الالتهاب أو الانفجارية أو شديدة الخطورة (مثل البترول والمذيبات والأمضاض والمواد القلوية وغيرها).  
• الغبار المتفجر أو القابل للاشتعال (مثل، غبار المغنسيوم والألومنيوم، إلخ)



ينطبق ما يلي على ماكينات فئة الغبار L (مع تحديد النوع -2L، -0L):

- الجهاز مناسب للتقاط الغبار الجاف، غير القابل للاشتعال، والغبار الخطر الذي تزيد قيمة حد التعرض للأخطار المهنية عن 1 ملجم/متر مكعب.
- فئة الغبار (IEC 60335-2-69) (L)
- تزيد قيمة حد التعرض للأخطار المهنية لهذه الفئة عن 1 ملجم/متر مكعب
- يتم اختيار المادة المصنوع منها الفلتر للماكينات المخصصة لفئة الغبار L. أعلى درجة نفاذية هي 1% ولا توجد متطلبات خاصة للتخلص منه.
- تأكد من وجود معدل تغيير الهواء L الكافي في أدوات استخراج الهواء، عندما يعود هواء العادم إلى الغرفة.
- إلى جانب إرشادات التشغيل هذه وقواعد الوقاية من الحوادث في بلدك، يجب عليك مراعاة قواعد السلامة والاستخدام المسؤول.
- يمكن للمستخدم فقط تجنّب وقوع الحوادث الناتجة عن سوء الاستخدام.

### يُرجى قراءة جميع إرشادات السلامة ومراعاتها.

أي استخدام آخر يعد استخداماً غير مطابق. لا تتحمل الجهة المصنعة أي مسؤولية عن الأضرار الناتجة عن مثل هذا الاستخدام. ويتحمل المستخدم وحده الخطر الناتج عن مثل هذا الاستخدام. كما يشتمل الاستخدام المطابق على التشغيل الصحيح والصيانة الدورية والإصلاح وفقاً لإرشادات الجهة المصنعة.

### البطاريات

يجب إعادة شحن البطارية غير المستخدمة لفترة قبل الاستخدام.  
تقلل درجات الحرارة التي تتجاوز 50° سيليزيوس (122° فهرنهايت) من أداء البطارية. تجنّب التعرض الزائد للحرارة أو أشعة الشمس (خطر التسخين)..  
يجب الحفاظ على محتويات الشواحن والبطاريات نظيفة. للحصول على فترة استخدام مثالية، يجب شحن البطاريات تماماً، بعد الاستخدام.

للحصول على أطول عمر ممكن للبطارية، انزع البطارية من الشاحن بمجرد شحنها تماماً.

لتخزين البطارية أكثر من 30 يوم: خزن البطارية بحيث تكون درجة الحرارة أقل من 27° سيليزيوس وبعيداً عن أي رطوبة خزن البطارية مشحونة بنسبة تتراوح بين 30 50 % اشحن البطارية كالمعتاد، وذلك كل ستة أشهر من التخزين.

M18 FBPV	البيانات الفنية استخلاص الغبار
4693 26 01... ... 000001-999999	إنتاج عدد
18 V	فولطية البطارية
25 A	أمبير
380 W	استهلاك الطاقة
1557 l/min 93 m³/h	تيار كمية الهواء
18,9 kPa 189 mbar	ضغط ناقص
3,8l	القدرة
HEPA H13	نوع الفلتر
8,43 kg ... 9,53 kg	الوزن وفقاً لنهج EPTA رقم 01/2014 (Li-Ion 2,0 Ah ... 12,0 Ah)
36 mm	قطر خرطوم الامتصاص
-18°C ... +50°C	درجة حرارة البيئة المحيطة المنصوح بها من أجل التشغيل
M18B... M18HB...	البطاريات المنصوح بها
M12-18... M1418 C6	جهاز الشحن المنصوح به
<b>معلومات الموضوع</b>	
القيم التي تم قياسها محددة وفقاً للمعايير الأوروبية EN 60 745 مستويات ضوضاء الجهاز، ترجيحاً بشكل نموذجي كالتالي:	
65 dB (A)	مستوى ضغط الصوت LpA (الارتياح في القياس = 2 ديسيبل (أ))
76 dB (A)	مستوى شدة الصوت LWA (الارتياح في القياس = 2 ديسيبل (أ))
ارتد و أقيات الأذن!	
<b>معلومات عن الاهتزاز وفقاً للمواصفة EN 60335-2-69</b>	
قيم الذبذبات الإجمالي (مجموع الكميات الموجهة في المحاور الثلاثة) محددة وفقاً للمعايير الأوروبية ISO 5349.	
0,15 m/s²	قيمة انبعاث الذبذبات a <sub>h</sub>
0,05 m/s²	الارتياح في القياس



يجب إبعاد الشعر والملابس الواسعة وأجزاء الجسم عن فتحات الجهاز أو الأجزاء المتحركة به. تجذب استخدام الجهاز في حالة انسداد إحدى الفتحات وتجنب إدخال الأجسام في الفتحات. احرص على خلّو الفتحات من الغبار والوبر والشعر والمواد الأخرى، والتي قد تعيق تيار الهواء.

**تحذير!** لتجنب أخطار الحريق أو الإصابة أو الإضرار بالمنتج التي تنجم عن الماس الكهربائي، لا تغمر الأداة أو البطارية القابلة للاستبدال أو جهاز الشحن في السوائل وأحرص على أن لا تصل السوائل إلى داخل الجهاز والبطارية. السوائل المؤدية للآكل أو الموصلة للتيار الكهربائي، مثل الماء المالح ومركبات كيميائية معينة ومواد التبييض أو المنتجات التي تشتمل على مواد تبيض، يمكن أن تؤدي إلى حدوث ماس كهربائي.

لا تقم أبداً بفتح قفل البطارية والشواحن ولا تخزنهم إلا في غرف جافة، وحافظ عليها جاف طوال الوقت.

استخدم فقط شواحن System M18 لشحن بطاريات System M18. لا تستخدم مجموعات البطارية الخاصة بنظام أخرى.

يجب إبلاغ فريق تشغيل الجهاز قبل العمل بما يلي:

- استعمال الجهاز
- المخاطر الناتجة عن المواد التي يتم التقاطها
- الطريقة الآمنة للتخلص من المواد التي يتم التقاطها

#### شروط الاستخدام المحدّثة

تم تصميم هذه المكنسة الكهربائية المتنقلة وتطويرها واختبارها بعناية، ليتم تشغيلها بفعالية وأمان، عند صيانتها بالشكل الصحيح واستخدامها وفقاً للإرشادات التالية.

**⚠ تحذير!** اقرأ دليل الإرشادات بعناية قبل استخدام الجهاز. اقرأ جميع تحذيرات السلامة وجميع التعليمات، بما فيها. قد يؤدي الفشل في مراعاة التحذيرات والتعليمات إلى التعرض للإصابة بصدمة كهربائية أو الحريق و/أو إصابة خطيرة.

**تحذير:** ينبغي توجيه المشغلين على نحو ملائم بشأن استخدام تلك الماكينات.

**احتفظ بجميع التنبيهات والتعليمات للرجوع إليها مستقبلاً.**

#### ⚠ تعليمات السلامة استخلاص الغبار

هذه الماكينة غير معدة للاستخدام من قبل أشخاص -بما في ذلك الأطفال- ذوي قدرات بدنية أو حسية أو عقلية محدودة، أو أشخاص تنقصهم الخبرة والمعرفة. يجب مراقبة الأطفال لضمان عدم العبث بالجهاز. لا يُسمح للأطفال بتنظيف الجهاز أو صيانتته دون إشراف.

**يُحظر تشغيل هذا الجهاز بدون إشراف.**

#### خطر الحريق والانفجار!

تأكد من عدم شطف الآلة لأي مواد سريعة الاشتعال أو مواد متفجرة، أو سوائل مثل البنزين أو الزيوت أو الكحوليات أو التتر أو أي جسيمات صغيرة (على سبيل المثال برادة الحديد) والتي يمكن أن ترفع من درجة حرارتها إلى ما يزيد عن 60 درجة مئوية - وإلا ستؤدي إلى الانفجار أو الحريق!

من غير المسموح استخدام الجهاز بالقرب من الغازات أو المواد القابلة للاشتعال.

لا توجه الفتحة أو الخرطوم أو الأنبوبة تجاه الأشخاص أو الحيوانات.

Copyright 2018

Techtronic Industries GmbH  
Max-Eyth-Straße 10  
71364 Winnenden  
Germany

+49 (0) 7195-12-0



**EAC**

(07.18)

**4931 4250 96**